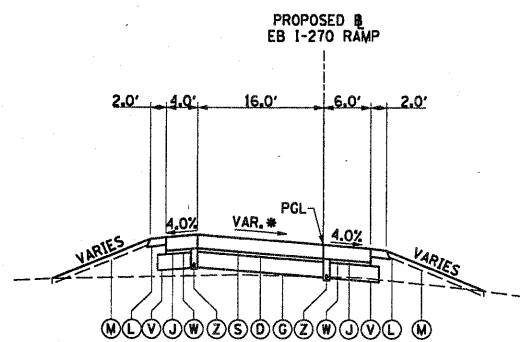


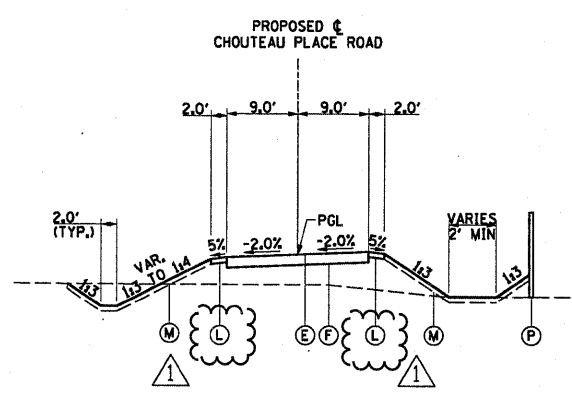
**I-270 PROPOSED WB RAMP FROM SB IL RT 3**

RAMP P1  
STA 21164+24.10 TO STA 21184+00.00  
\* SEE SUPERELEVATION TRANSITION DETAILS



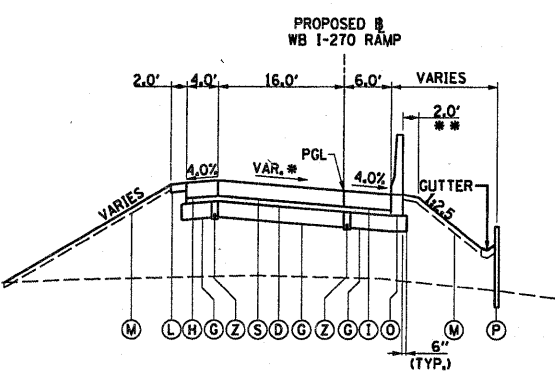
**I-270 PROPOSED EB RAMP TO SB IL RT 3**

RAMP P4  
STA 11217+48.50 TO STA 11226+34.29  
\* SEE SUPERELEVATION TRANSITION DETAILS



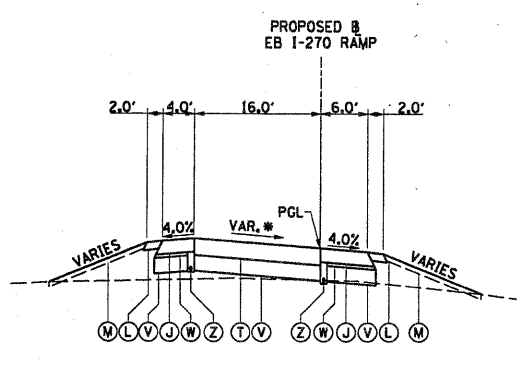
**PROPOSED CHOUTEAU PLACE**

STA 175+00 TO STA 180+82 (CHOUTEAU PLACE ROAD)



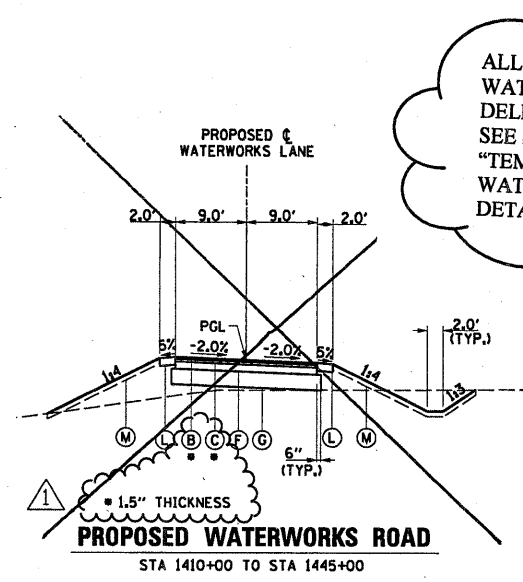
**I-270 PROPOSED WB RAMP FROM SB IL RT 3**

RAMP P1  
STA 21184+00.00 TO STA 21189+81.02  
\* SEE SUPERELEVATION TRANSITION DETAILS  
\*\* STA. 21178+94.4 TO STA. 21184+03.1



**I-270 PROPOSED EB RAMP TO SB IL RT 3**

RAMP P4  
STA 11226+34.29 TO STA 11233+92.80  
\* SEE SUPERELEVATION TRANSITION DETAILS

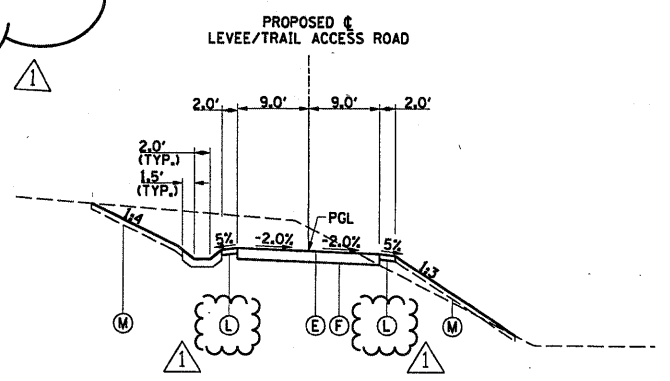


**PROPOSED WATERWORKS ROAD**

STA 1410+00 TO STA 1445+00

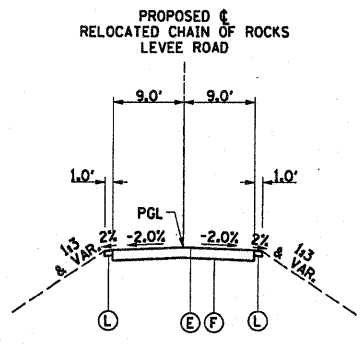
ALL REFERENCES TO PROPOSED WATERWORKS ROAD SHALL BE DELETED FROM THIS PROJECT. SEE SPECIAL PROVISION "TEMPORARY ACCESS TO WATERWORKS ROAD" FOR DETAILS.

- PROPOSED LEGEND**
- (A) CONT REINF PCC PVT 12
  - (B) HMA SC "D" N50
  - (C) HMA BC IL-12.5 N50
  - (D) STABILIZED SUBBASE 4"
  - (E) BIT SURF TREAT CL A-3
  - (F) AGG BASE CSE A 8
  - (G) SUB GRAN MAT A 12
  - (H) PCC SHOULDERS 12
  - (I) PCC SHOULDERS 12 SPL
  - (J) HMA SHOULDERS 10 1/2
  - (K) SHLDR STABILIZATION (NOTE 1)
  - (L) AGGREGATE SHLDS A 6
  - (M) TOPSOIL EXC & PLAC
  - (N) CONC BAR 2F 42HT
  - (O) CONC BAR 1F 42HT SPL
  - (P) MECH ST EARTH RET WL
  - (R) SPBGR TY A 6FT POSTS
  - (S) PCC PVT 12 JOINTED
  - (T) HMA PAVT FD 13
  - (V) PROCESS MOD SOIL 12 AND LIME
  - (W) SUB GRAN MAT C
  - (Y) SPBGR TY A 9FT POST
  - (Z) PIPE UNDERDRAINS 4
- NOTE 1) (K) PAID FOR AS (H) OR (J) TO MATCH ADJACENT SHOULDER



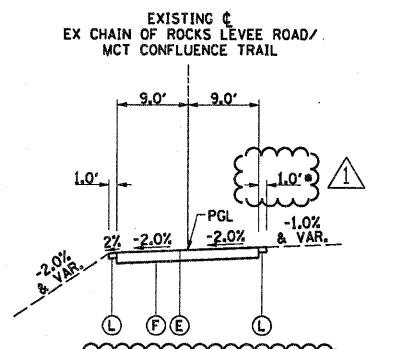
**PROPOSED LEVEE/TRAIL ACCESS ROAD**

STA 253+00 TO STA 260+75 SOUTH ACCESS ROAD



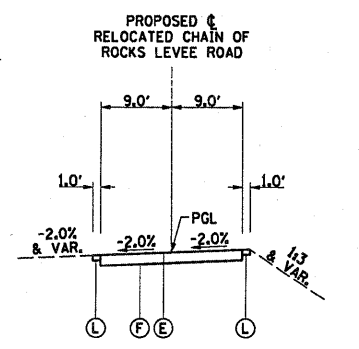
**PROPOSED RELOCATED CHAIN OF ROCKS LEVEE ROAD**

STA 341+02.24 TO STA 346+94.30



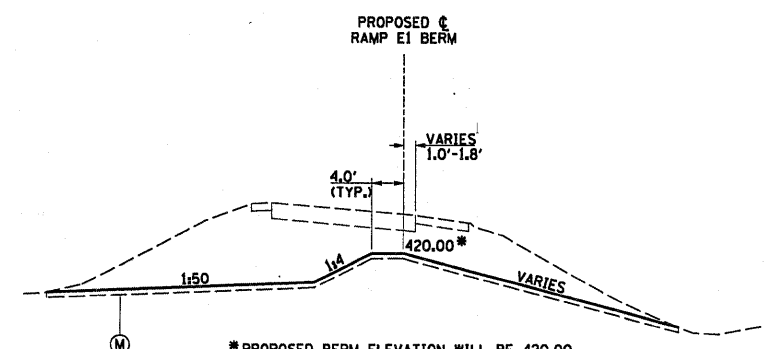
**EX CHAIN OF ROCKS LEVEE ROAD/MCT CONFLUENCE TRAIL**

STA 339+75.12 TO STA 346+90.58



**PROPOSED RELOCATED CHAIN OF ROCKS LEVEE ROAD**

STA 330+50.00 TO STA 341+02.24  
STA 346+90.58 TO STA 349+25.00



**PROPOSED RAMP E1 BERM**

STA 9+00.00 TO STA 21+00.00

FILE NAME =  
D876A91-Sht-Typical05.DGN

USER NAME = ablvien  
DESIGNED - SJM  
DRAWN - BAH  
CHECKED - SJM  
DATE - 06-30-10

REVISD - 12-30-2010  
REVISD - 4-20-11  
REVISD - 6/7/11 ADDENDUM  
REVISD -

STATE OF ILLINOIS  
DEPARTMENT OF TRANSPORTATION

PROPOSED TYPICAL SECTIONS  
SIDE ROADS AND LEVEE ROADS  
SCALE: SHEET NO. 5 OF 5 SHEETS STA. TO STA.

F.A.I. RTE.	SECTION	COUNTY	TOTAL SHEETS	SHEET NO.
270	60-1B-1	MADISON	712	19
			CONTRACT NO. 76A91	
[ILLINOIS] FED. AID PROJECT				