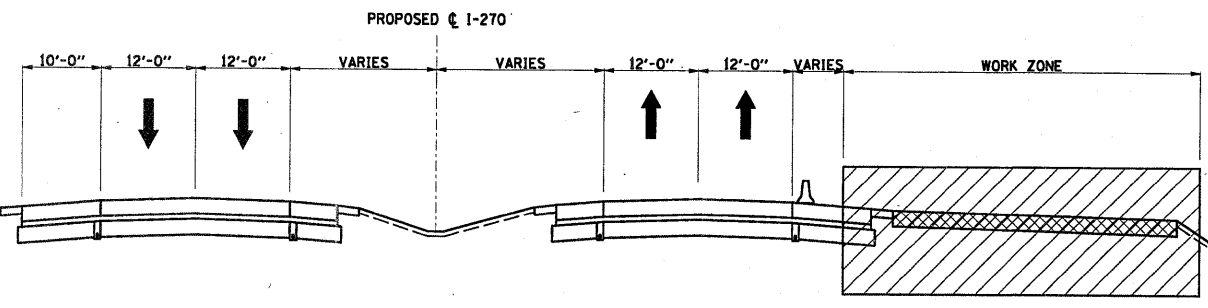
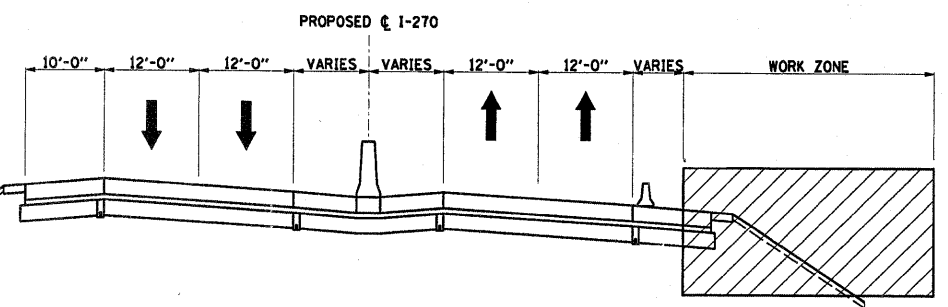


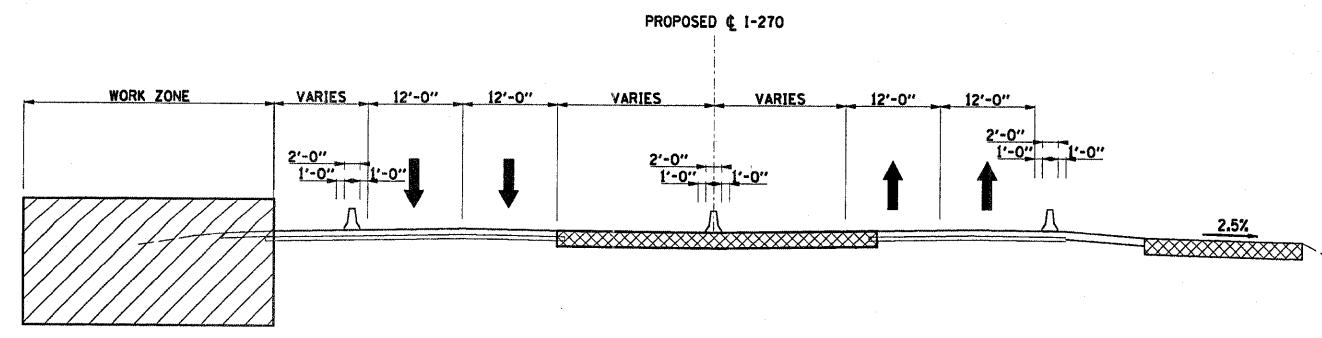
**EXISTING I-270**  
WEST END SECTION  
APPROXIMATE STA 149+00 TO STA 158+00



**PROPOSED I-270**  
WEST END SECTION  
APPROXIMATE STA 1158+00.00 TO STA 1177+00



**PROPOSED I-270**  
EAST END SECTION  
APPROXIMATE STA 1177+00 TO STA 1191+75  
APPROXIMATE STA 1212+00 TO STA 1223+00



**EXISTING I-270**  
EAST END SECTION  
APPROXIMATE STA 1223+00 TO STA 1234+00

ALL REFERENCES TO PROPOSED WATERWORKS ROAD SHALL BE DELETED FROM THIS PROJECT. SEE SPECIAL PROVISION "TEMPORARY ACCESS TO WATERWORKS ROAD" FOR DETAILS.

- MOT LEGEND**
- WORK ZONE AREA
  - TEMPORARY PAVEMENT
  - DIRECTION OF TRAFFIC
  - MOVEABLE CONCRETE BARRIER
  - TYPE II WITH STEADY BURNING MONODIRECTIONAL LIGHT

- EXISTING LEGEND**
- ① EX HOT-MIX ASPHALT OVERLAY
  - ② EX PCC PAVEMENT, 10"
  - ③ EX HOT-MIX ASPHALT SHOULDER
  - ④ EX AGGREGATE SHOULDER
  - ⑤ EX STEEL PLATE BEAM GUARDRAIL
  - ⑥ EX CABLE ROAD GUARD

NOTE:  
SEE SUGGESTED MAINTENANCE OF TRAFFIC PLANS FOR ADDITIONAL INFORMATION.

FILE NAME = DB76A91-Sht-MDTYP07.DGN	USER NAME = malopez	DESIGNED - SJM	REVISED - 07-30-10
	PLOT SCALE = #SCALE#	DRAWN - ML	REVISED - 6/7/11 ADD A
	PLOT DATE = 3/16/2011	CHECKED - SJM	REVISED -
		DATE - 06-30-10	REVISED -

**STATE OF ILLINOIS  
DEPARTMENT OF TRANSPORTATION**

**SUGGESTED MAINTENANCE OF TRAFFIC  
TYPICAL SECTIONS - STAGE 5**

SCALE: SHEET NO. 7 OF 8 SHEETS STA. TO STA.

F.A.I. RTE.	SECTION	COUNTY	TOTAL SHEETS	SHEET NO.
270	60-1B-1	MADISON	712	96
CONTRACT NO. 76A91				
ILLINOIS FED. AID PROJECT				