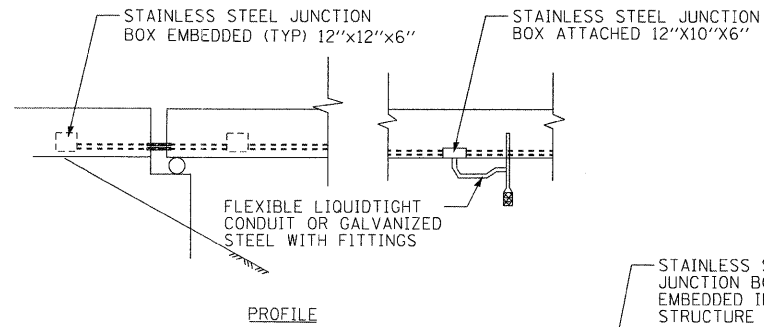
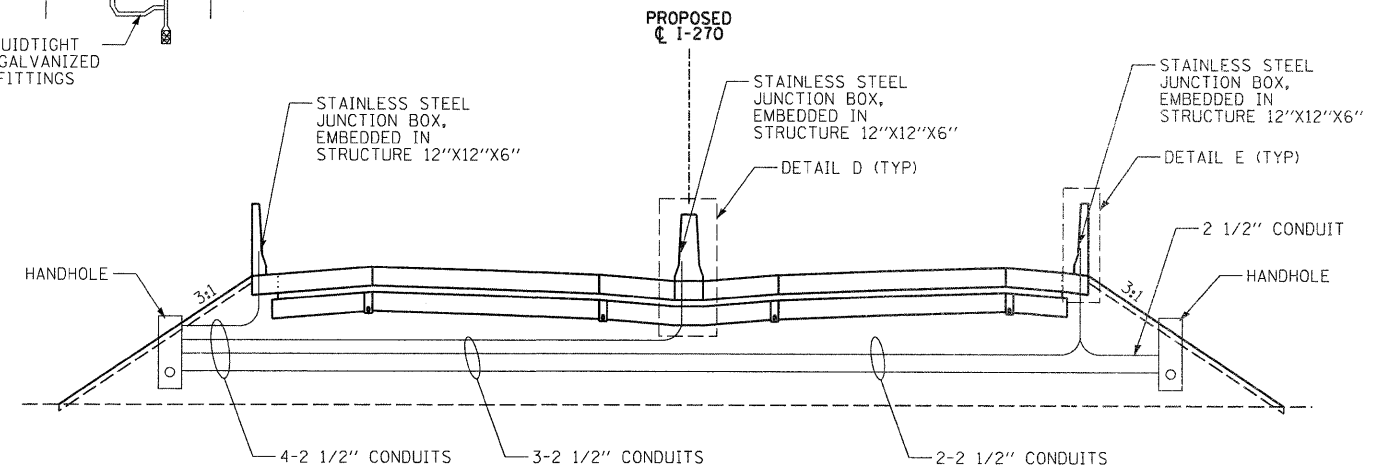


**DETAIL A**  
N.T.S.

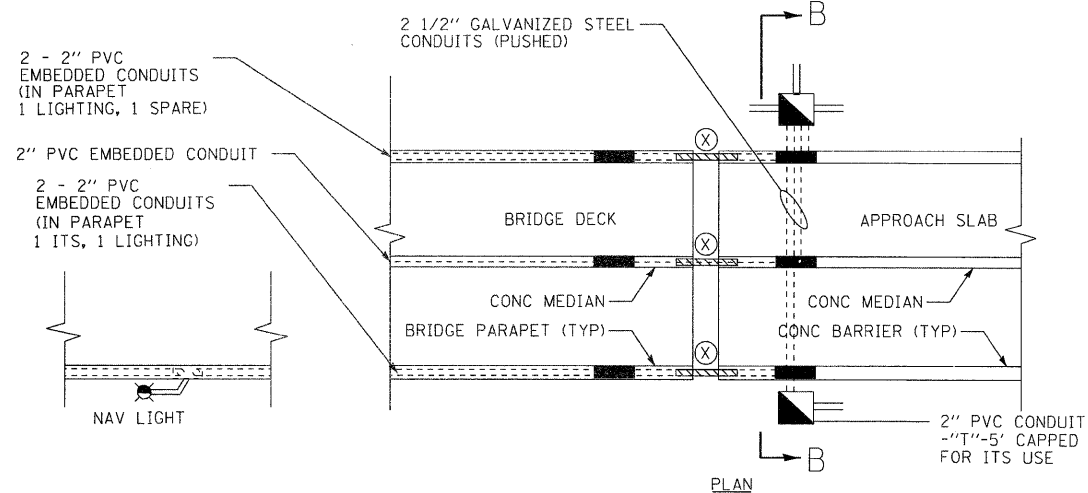


PROFILE

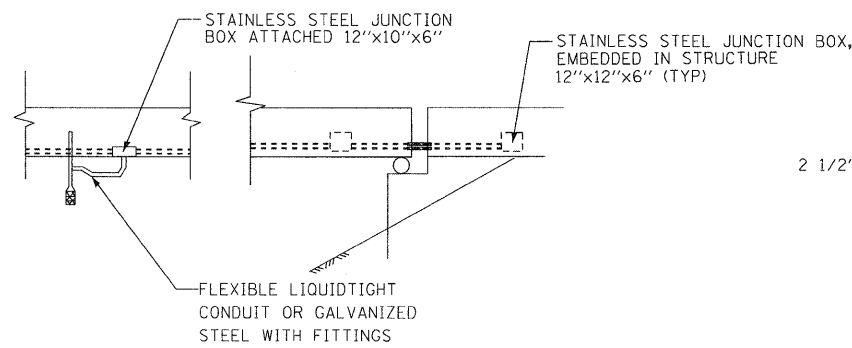


**SECTION A-A**  
N.T.S.

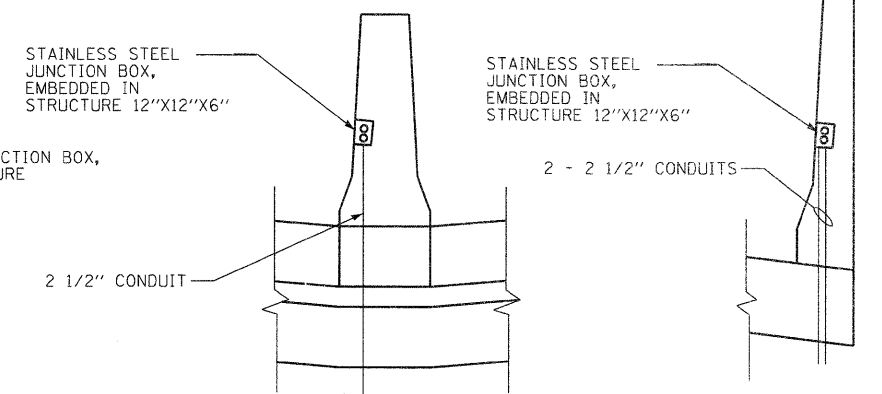
**LEGEND**  
 (X) EXPANSION FITTING  
 ■ JUNCTION BOX



**DETAIL C**  
N.T.S.

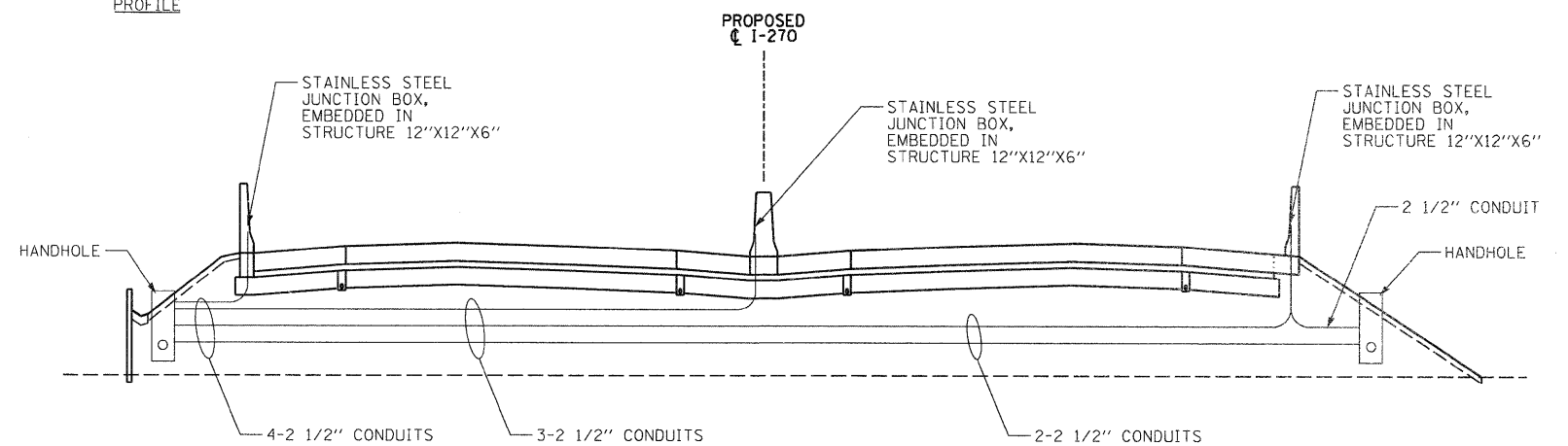


PROFILE



**DETAIL D**  
N.T.S.

**DETAIL E**  
N.T.S.



**SECTION B-B**  
N.T.S.

GENERAL REVISIONS TO SHEET

FILE NAME =	USER NAME = #USER#	DESIGNED - FSM	REVISED -	<b>STATE OF ILLINOIS DEPARTMENT OF TRANSPORTATION</b>	<b>LIGHTING DETAILS INTERSTATE 270</b>		FAI	SECTION	COUNTY	TOTAL SHEETS	SHEET NO.
#FILE#		DRAWN - MNR	REVISED -		270	60-1B-1	MADISON	712	342		
	PLOT SCALE = #SCALE#	CHECKED - AAB	REVISED - 6/7/11 ADDENDUM		SCALE: SHEET NO. 4 OF 10 SHEETS STA. TO STA.			CONTRACT NO. 76A91			
	PLOT DATE = #DATE#	DATE - 3/18/11	REVISED -		ILLINOIS FED. AID PROJECT						

