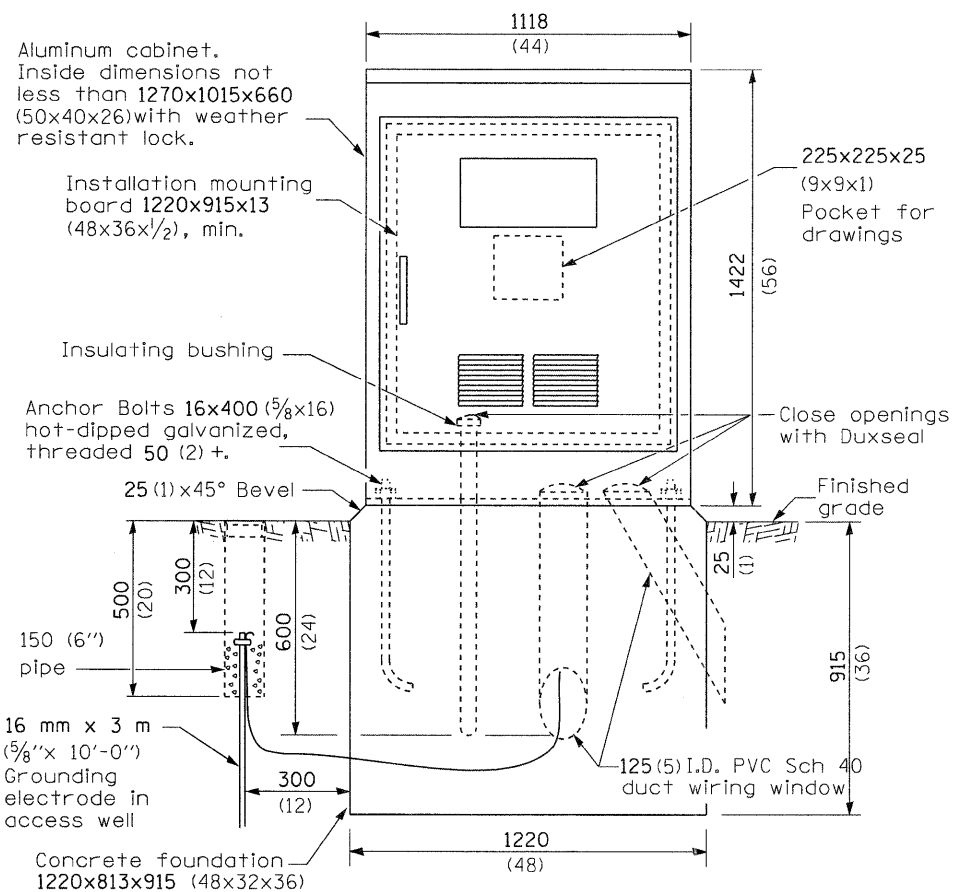
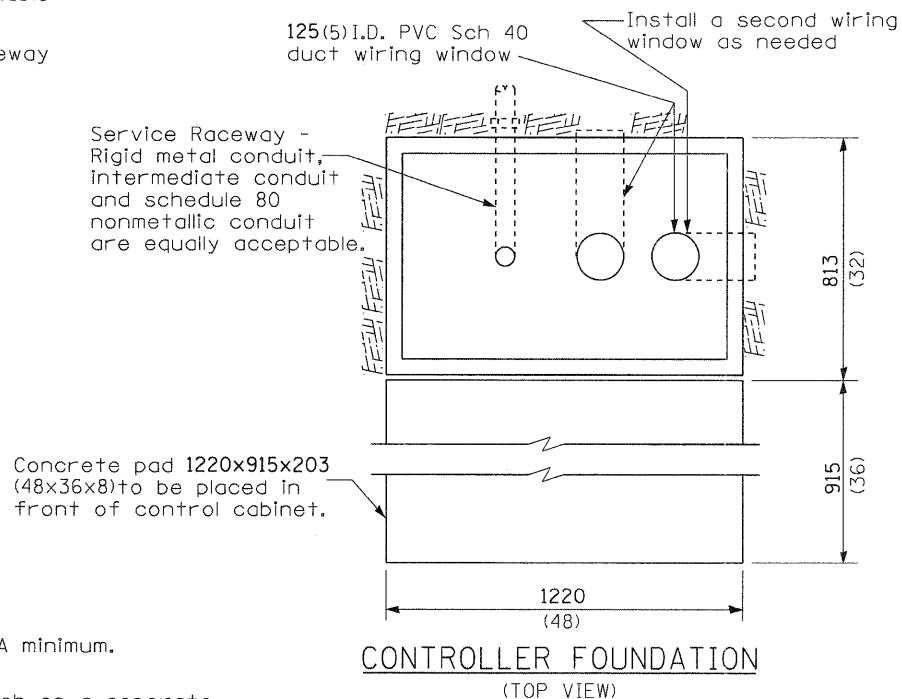


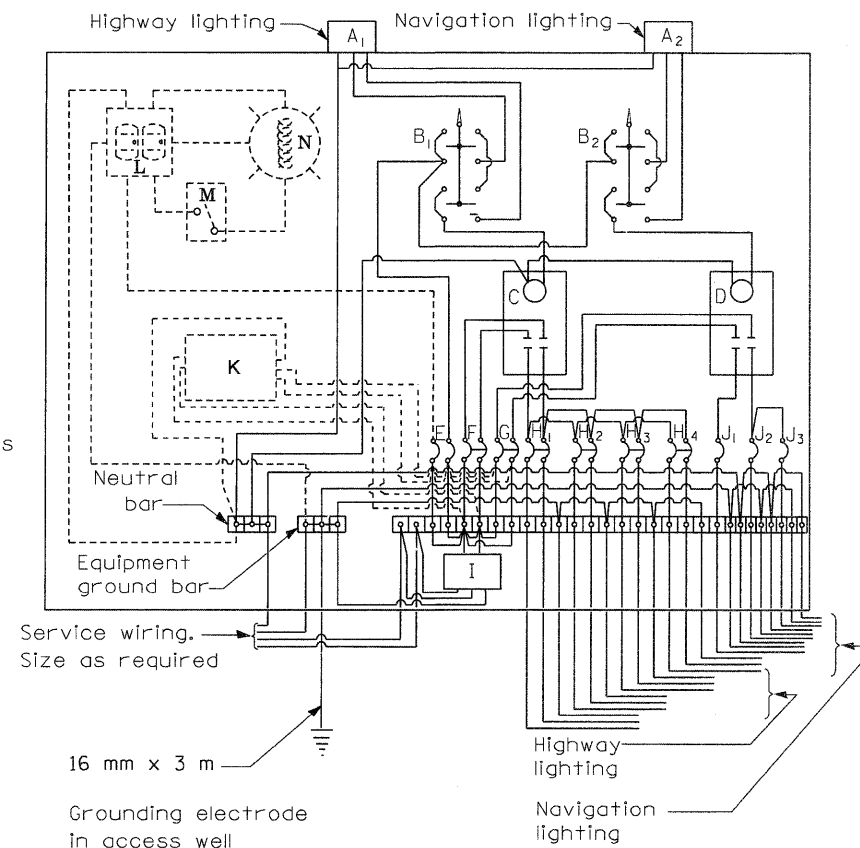
SERVICE POLE



CONTROL INSTALLATION (FRONT VIEW)



CONTROLLER FOUNDATION (TOP VIEW)



- A1 Photocell (remote mount in urban areas)
 - A2
 - B1 > 3 position selector switch
 - B2
 - C, D 100 amp* & 60 amp* electrically held contactors
 - E 15 amp, 1 pole, circuit breaker
 - F 100 amp*, 2 pole, main circuit breaker
 - G 30 amp*, 2 pole, main circuit breaker
 - H 30 amp*, 2 pole, branch circuit breaker, 2 spare required, only 1 shown
 - I Surge arrester
 - J 20 amp*, single pole circuit breaker, 2 spare
 - K Transformer (see notes), 2 KVA*, 240/480V primary, 120/240V sec, single phase
 - L GFCI duplex receptacle
 - M Single pole, single throw switch
 - N Shielded security fixture with 100W lamp
- (* = Size larger as needed)

GENERAL NOTES

- 1) This drawing depicts the basic configuration of the lighting controller. Branch circuit breakers shall be provided and oriented as required by the plan sheets and details.
- 2) Wiring shall be panel board fashion. All bends shall be right angles. All runs shall be vertical or parallel to panel board. Wires shall be grouped or laced.
- 3) All control installation components shall be U.L. listed.
- 4) Label equipment ground and neutral.
- 5) Locate service pole and control installation adjacent to R.O.W. line with a minimum distance of 9 m (30') from the edge of pavement. See plans for approx. location, exact location shall be established by the Engineer.
- 6) The underground service entrance wiring shall not exceed 46 m (150'). Total aerial and underground service between the control installation and primary transformer shall not exceed 76 m (250').
- 7) Raceways shall terminate 75 mm (3 in.) above top of concrete foundation.
- 8) For 480 V service, a step down transformer (dashed lines) is required.
- 9) Add receptacle, light, and switch in control cabinet.
- 10) Two (2) spare branch breakers are required but are not shown.

240 V. SERVICE
 480 V. SERVICE

All dimensions are in millimeters (inches) unless otherwise shown.

FILE NAME =	USER NAME = #USER#	DESIGNED - FSM	REVISED -	STATE OF ILLINOIS DEPARTMENT OF TRANSPORTATION	CONTROL INSTALLATION INTERSTATE 270		FAI	SECTION	COUNTY	TOTAL SHEETS	SHEET NO.
#FILE#	PLOT SCALE = #SCALE#	DRAWN - MNR	REVISED -		270	60-1B-1	MADISON	712	343		
	PLOT DATE = #DATE#	CHECKED - AAB	REVISED - 6/7/11 ADDENDUM		CONTRACT NO. 76A91			ILLINOIS FED. AID PROJECT			
		DATE - 3/18/11	REVISED -		SCALE:	SHEET NO. 5 OF 10 SHEETS	STA.	TO STA.			