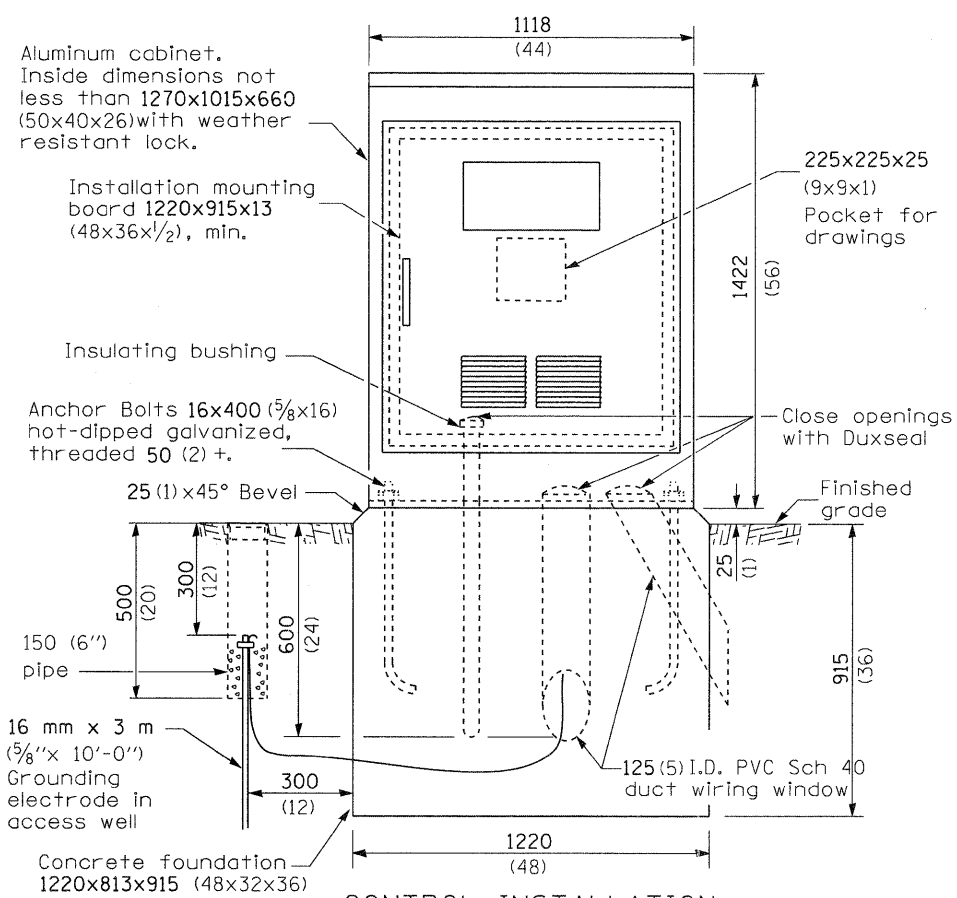


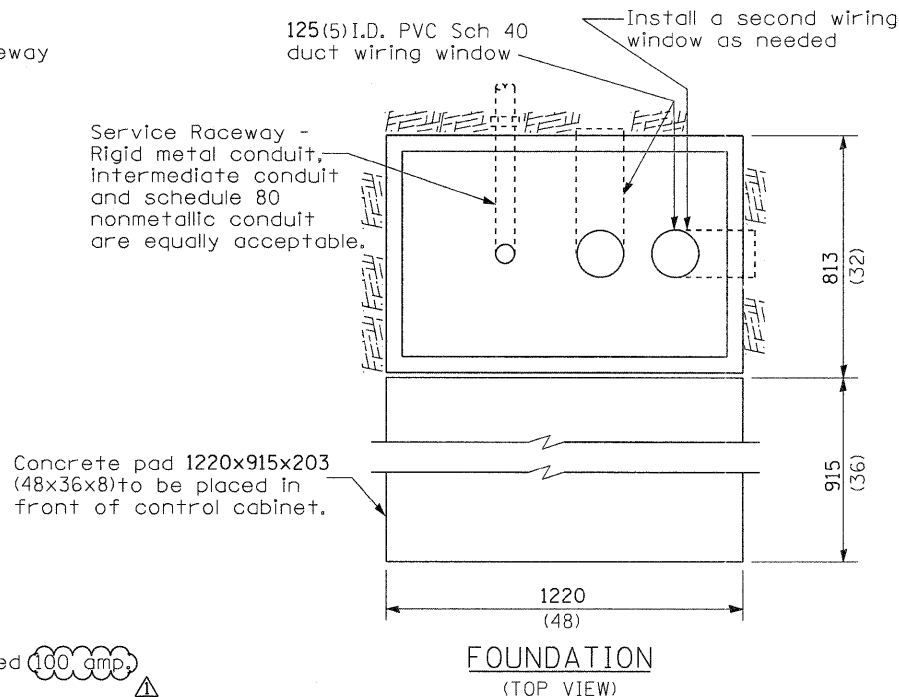
SERVICE POLE

CONTROLLER 3 NOTES:

- The contactor in controller 3 shall be rated Δ



CONTROL INSTALLATION (FRONT VIEW)



FOUNDATION (TOP VIEW)



CONTROL SCHEMATIC CONTROLLER #3

MATERIALS

- A Photocell w/ integral surge arrester (remote mount in urban areas)
 - B 3 position selector switch HAND-OFF-AUTO
 - C 100 amp* electrically held contactor, 120V operating coil
 - D 15 amp, 1 pole, circuit breaker
 - E 100 amp*, 2 pole, main circuit breaker
 - F 30 amp*, 2 pole, branch circuit breaker (typ.)
 - G Surge arrester
 - H Transformer (see notes), 1 KVA*, 240/480V primary, 120/240V sec, single phase
 - I GFCI duplex receptacle
 - J Single pole, single throw switch
 - K Shielded security fixture with 100W lamp
 - L Neutral bar
 - M Equipment ground bar
 - N Terminal block (typ.)
- (* = Size larger as needed)

GENERAL NOTES

- This drawing depicts the basic configuration of the lighting controller. Branch circuit breakers shall be provided and oriented as required by the plan sheets and details.
- Locate service pole and control installation adjacent to R.O.W. line with a minimum distance of 9 m (30') from the edge of pavement. Locate in close proximity to the utility transformer so the service drop does not exceed 46 m (150ft) and the total distance of overhead and underground cable (utility transformer to lighting controller) does not exceed 76 m (250ft). Exact location shall be established by the Engineer.
- Wiring shall be panel board fashion. All bends shall be right angles. All runs shall be vertical or parallel to panel board. Wires shall be grouped or laced.
- All control installation components shall be U.L. listed.
- Add receptacle, light, and switch in control cabinet.
- For 480 V service, a step down transformer (dashed lines) is required.
- Raceways shall terminate 75 mm (3 in.) above top of concrete foundation.
- Label equipment ground buss and neutral buss.

- 240 V. SERVICE
 480 V. SERVICE

All dimensions are in millimeters (inches) unless otherwise shown.

FILE NAME =	USER NAME = #USER#	DESIGNED - FSM	REVISED -	STATE OF ILLINOIS DEPARTMENT OF TRANSPORTATION	CONTROL INSTALLATION INTERSTATE 270		FAI	SECTION	COUNTY	TOTAL SHEETS	SHEET NO.
#FILE#		DRAWN - MNR	REVISED -		270	60-18-1	MADISON	712	344		
	PLOT SCALE = #SCALE#	CHECKED - AAB	REVISED - 6/7/11 ADDENDUM Δ		CONTRACT NO. 76A91			ILLINOIS FED. AID PROJECT			
	PLOT DATE = #DATE#	DATE - 3/18/11	REVISED -		SCALE:	SHEET NO. 6 OF 10 SHEETS	STA.	TO STA.			