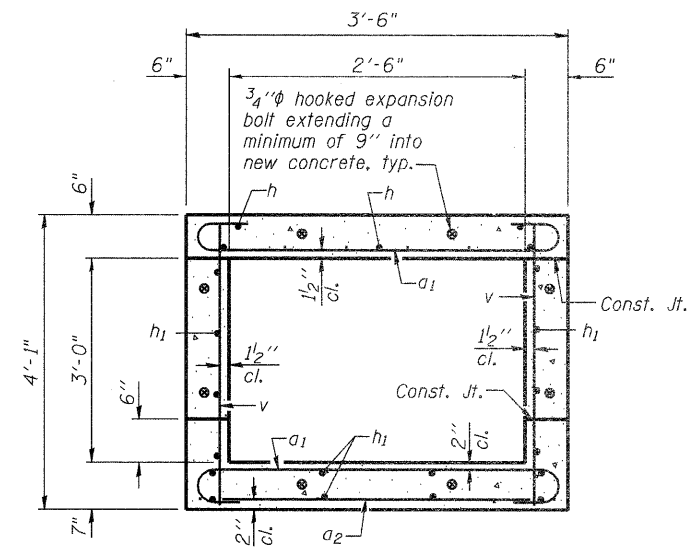


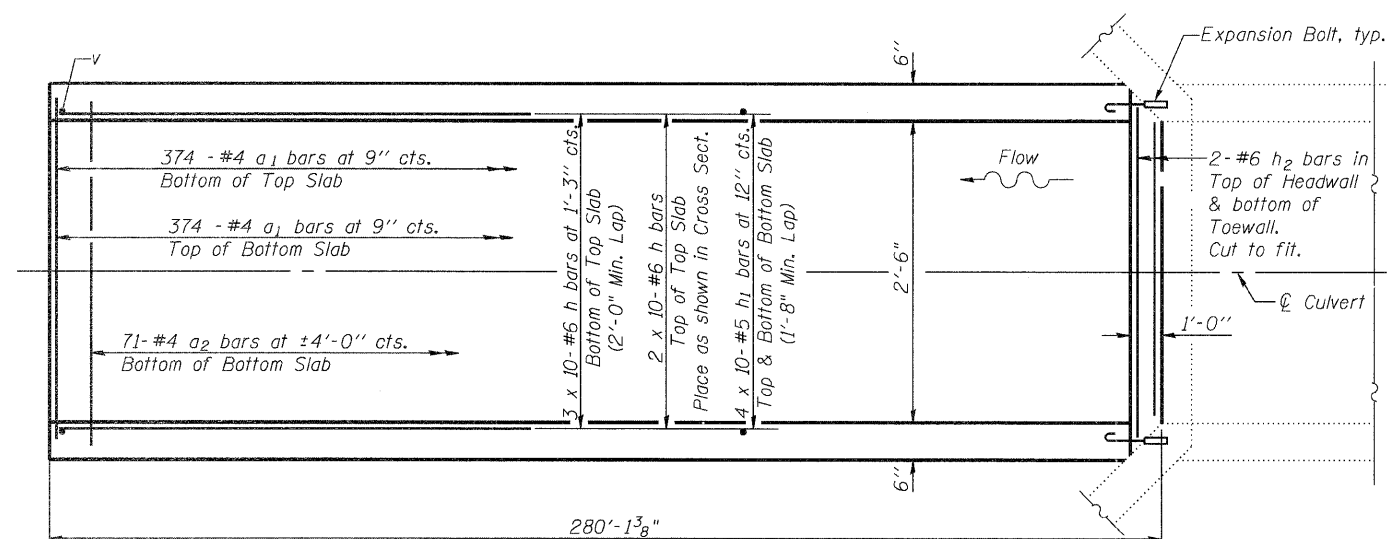
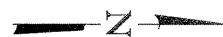
LONGITUDINAL SECTION



SECTION THRU BARREL

NOTES

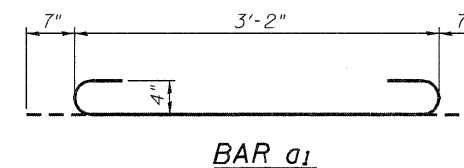
Reinforcement bars shall conform to the requirements of ASTM A 706 Gr 60. See Special Provisions.
 Bars indicated thus 4 x 10-#5 etc. indicates 4 lines of bars with 10 lengths per line.



SHOWING REINFORCEMENT

SHOWING OUTLINES

PLAN



BAR a1

BILL OF MATERIAL

Bar	No.	Size	Length	Shape
a1	748	#4	4'-4"	
a2	71	#4	3'-2"	
h	50	#6	29'-10"	
h1	160	#5	29'-6"	
h2	4	#6	3'-2"	
v	748	#4	3'-9"	
Concrete Box Culverts			Cu. Yd.	70.7
Reinforcement Bars			Pound	11,370
Expansion Bolts 3/4"			Each	8

DESIGN STRESSES

$f_y = 60,000 \text{ psi}$
 $f'_c = 3,500 \text{ psi}$

LOADING HS 20-44

CB Coombe-Bloxdorf P.C.
 - CIVIL ENGINEERS -
 - STRUCTURAL ENGINEERS -
 - LAND SURVEYORS -
 Design Firm License No. 184-002703

FILE NAME = ... \DB76A91-537-culv.1211.00.dgn	USER NAME = _MML_	DESIGNED - MCB	REVISED - 6/7/11 ADDENDUM 1
		CHECKED - MCB	REVISED -
	PLOT SCALE = 0:2.000000 ' = 1" IN.	DRAWN - MML	REVISED -
	PLOT DATE = 5/12/2011	CHECKED - MCB	REVISED -

**STATE OF ILLINOIS
 DEPARTMENT OF TRANSPORTATION**

**CULVERT EXTENSION DETAILS
 STATION 1211+00**

SHEET NO. 1 OF 1 SHEETS

F.A.I. RTE.	SECTION	COUNTY	TOTAL SHEETS	SHEET NO.
270	60-1B-1	MADISON	712	537
				CONTRACT NO. 76A91