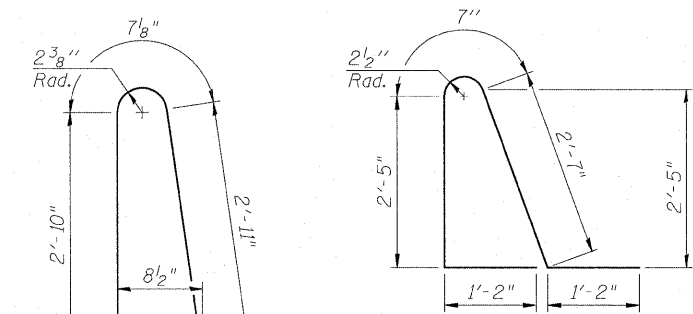


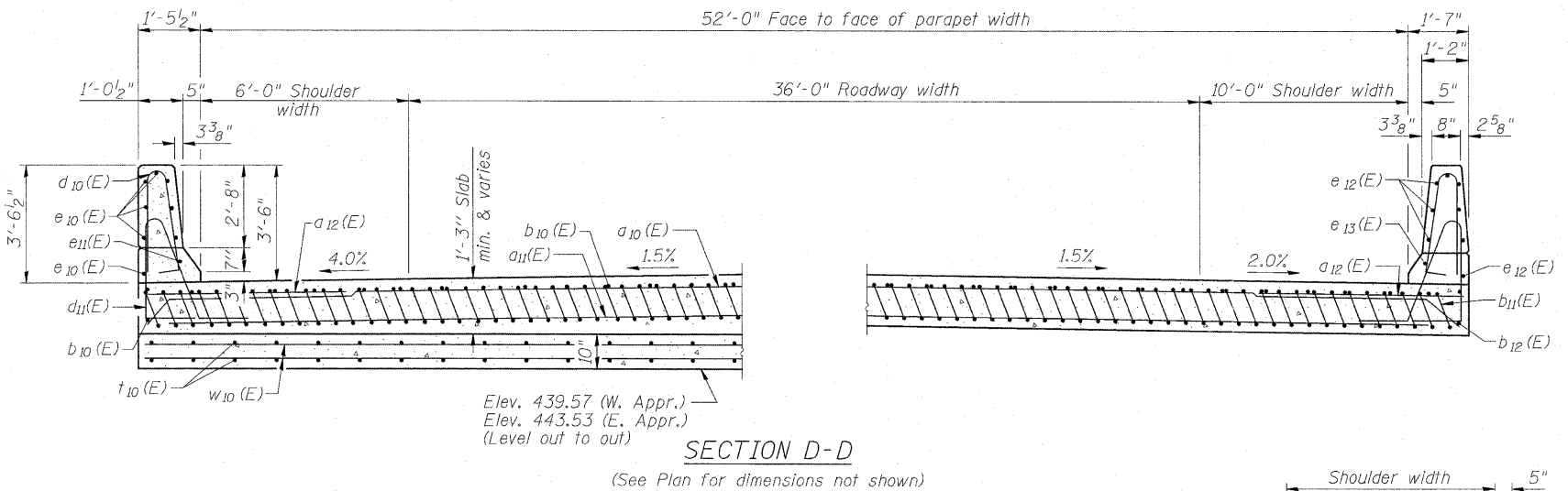
Notes:  
 See Sheet 12 of 30 for Detail A and View B-B.  
 Approach slab and parapet concrete shall be paid for as Concrete Superstructure.  
 Approach footing concrete shall be paid for as Concrete Structures.  
 Reinforcement shall be paid for as Reinforcement Bars, Epoxy Coated.  
 For v(E) bar details, see Sheet 10 of 30.  
 The approach footing maximum applied service bearing pressure (Qmax) = 2.0 ksf.  
 For bar splicer details, see Sheet 23 of 30.  
 Cost of excavation for approach footing included with Concrete Structures.  
 For Porous Granular Embankment (Special) and drainage treatment details, see Sheet 2 of 30.

\* Tilt #9 b11(E) bars as required to maintain clearance.  
 \*\*\* Cost included with Concrete Superstructure.



BAR d10(E)  
 BAR d11(E)  
 TWO APPROACHES  
 BILL OF MATERIAL

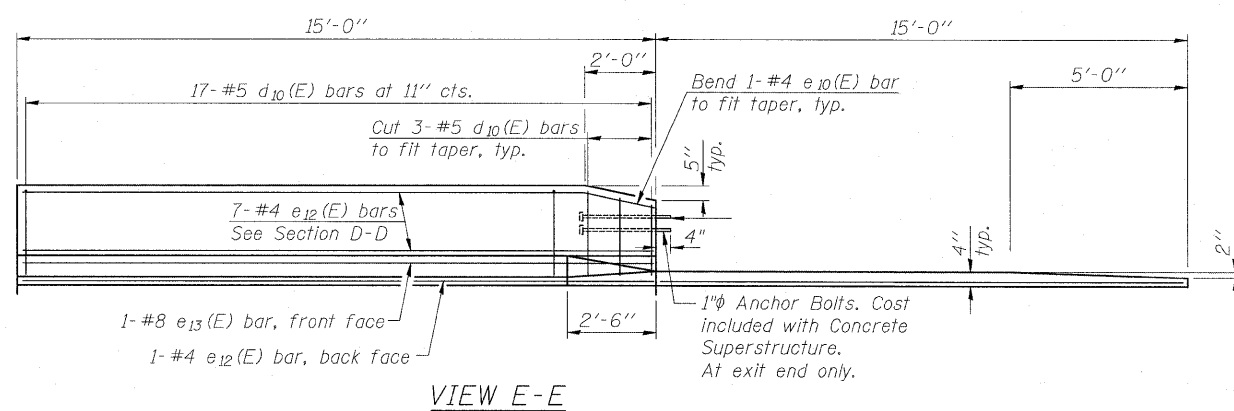
Bar	No.	Size	Length	Shape
a10(E)	100	#4	28'-7"	—
a11(E)	184	#5	28'-5"	—
a12(E)	74	#6	6'-0"	—
b10(E)	90	#4	29'-8"	—
b11(E)	254	#9	29'-9"	—
b12(E)	2	#4	14'-8"	—
b13(E)	2	#4	14'-8"	—
d10(E)	102	#5	6'-10"	—
d11(E)	102	#5	7'-11"	—
e10(E)	16	#4	29'-8"	—
e11(E)	2	#8	28'-8"	—
e12(E)	16	#4	14'-8"	—
e13(E)	2	#8	14'-8"	—
t10(E)	224	#4	9'-8"	—
w10(E)	160	#5	28'-1"	—
Concrete Superstructure		Cu. Yd.	172.4	
Concrete Structures		Cu. Yd.	33.6	
Reinforcement Bars, Epoxy Coated		Pound	43,970	
Bridge Deck Grooving		Sq. Yd.	364	
Protective Coat		Sq. Yd.	407	



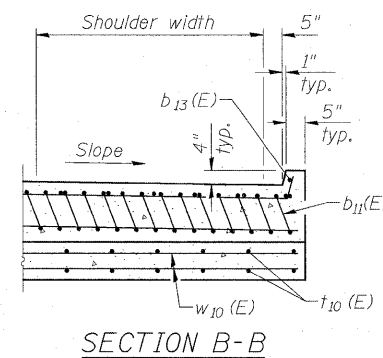
Elev. 439.57 (W. Appr.)  
 Elev. 443.53 (E. Appr.)  
 (Level out to out)

SECTION D-D

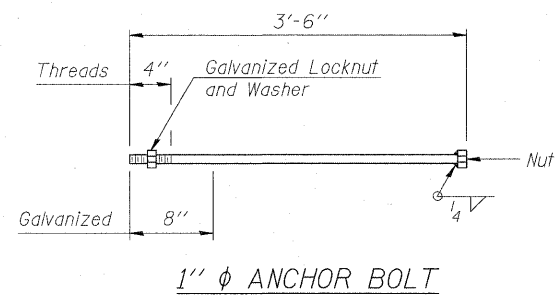
(See Plan for dimensions not shown)



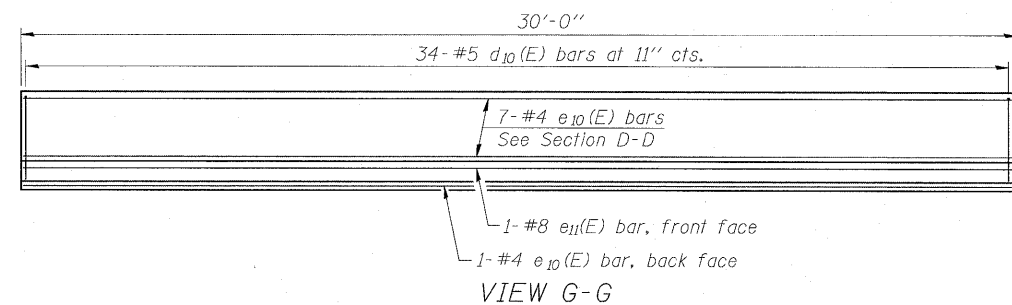
VIEW E-E



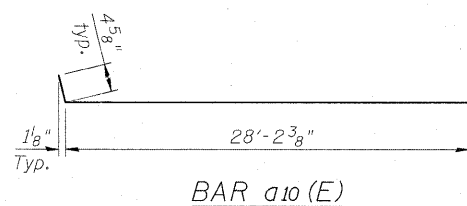
SECTION B-B



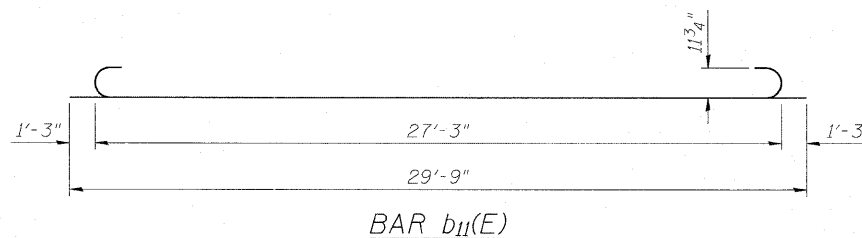
1" ANCHOR BOLT



VIEW G-G



BAR a10(E)



BAR b11(E)

WESTBOUND BRIDGE  
 APPROACH SLAB DETAILS 2  
 INTERSTATE 70 OVER 1ST STREET  
 FAI-70  
 SECTION 82-1-2HB  
 ST. CLAIR COUNTY  
 STA. 192+97.45  
 STRUCTURE NO. 082-0312 (EB)  
 STRUCTURE NO. 082-0313 (WB)

**ZROKA** Engineering, P.C.  
 4216 North Hermitage  
 Chicago, IL 60613

FILE NAME = ... \08TRI-0820312-0820313-76C50-013-WBApp\eachSlab2.dgn	USER NAME = SAW	DESIGNED - LAS	REVISED -
PLOT SCALE = 1:8000 / IN.	CHECKED - LAS	REVISOR -	REVISOR -
PLOT DATE = 2/25/2011	DATE - 3-18-11	REVISOR -	REVISOR -

STATE OF ILLINOIS  
 DEPARTMENT OF TRANSPORTATION

WESTBOUND BRIDGE APPROACH SLAB DETAILS 2

SCALE: NONE SHEET NO. 13 OF 30 SHEETS STA. TO STA.

F.A.P. RTE.	SECTION	COUNTY	TOTAL SHEETS	SHEET NO.
998	82-1-2HB	ST. CLAIR	72	43
SN 082-0312 & 082-0313		CONTRACT NO. 76C50		
FED. ROAD DIST. NO.		ILLINOIS FED. AID PROJECT		