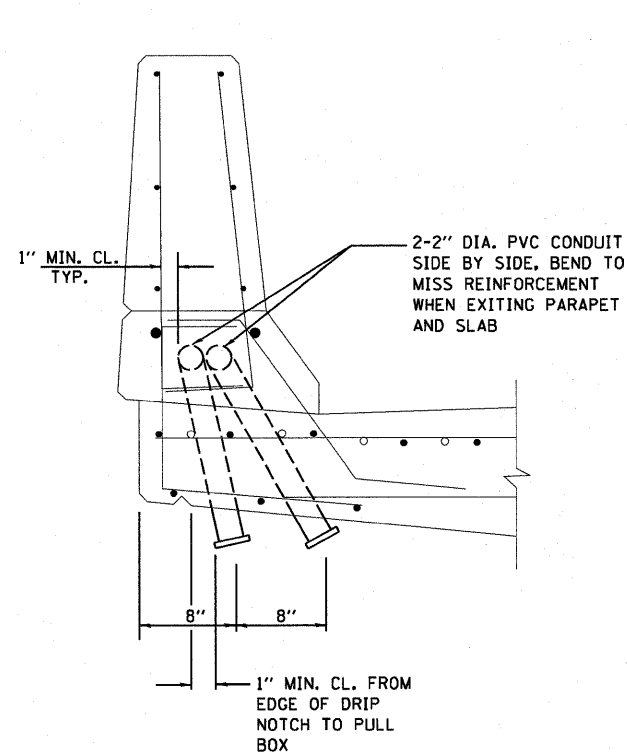
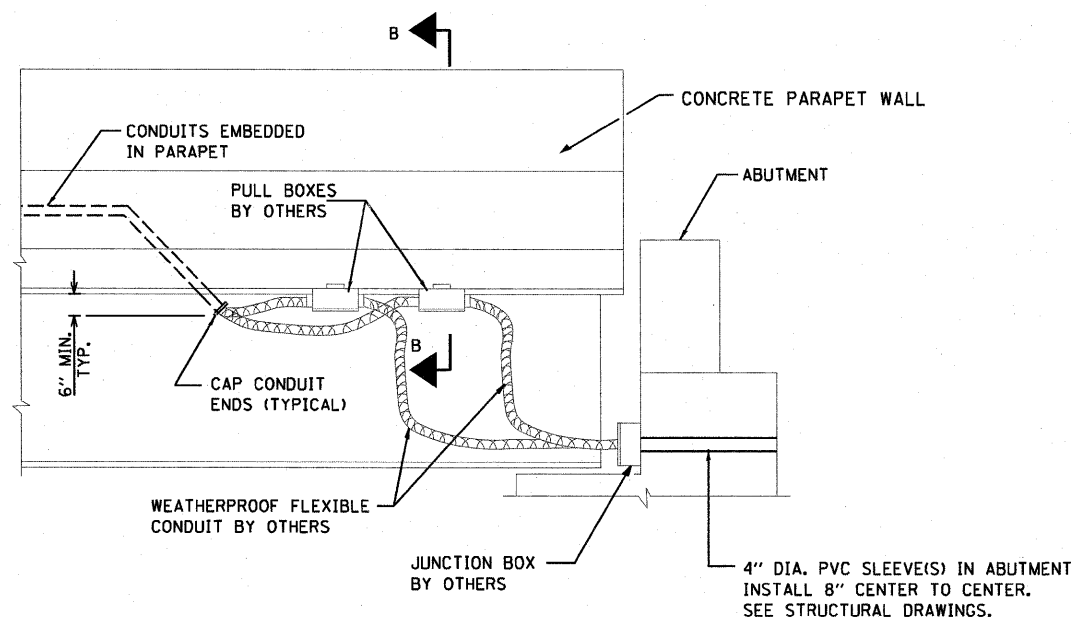


**NOTES:**

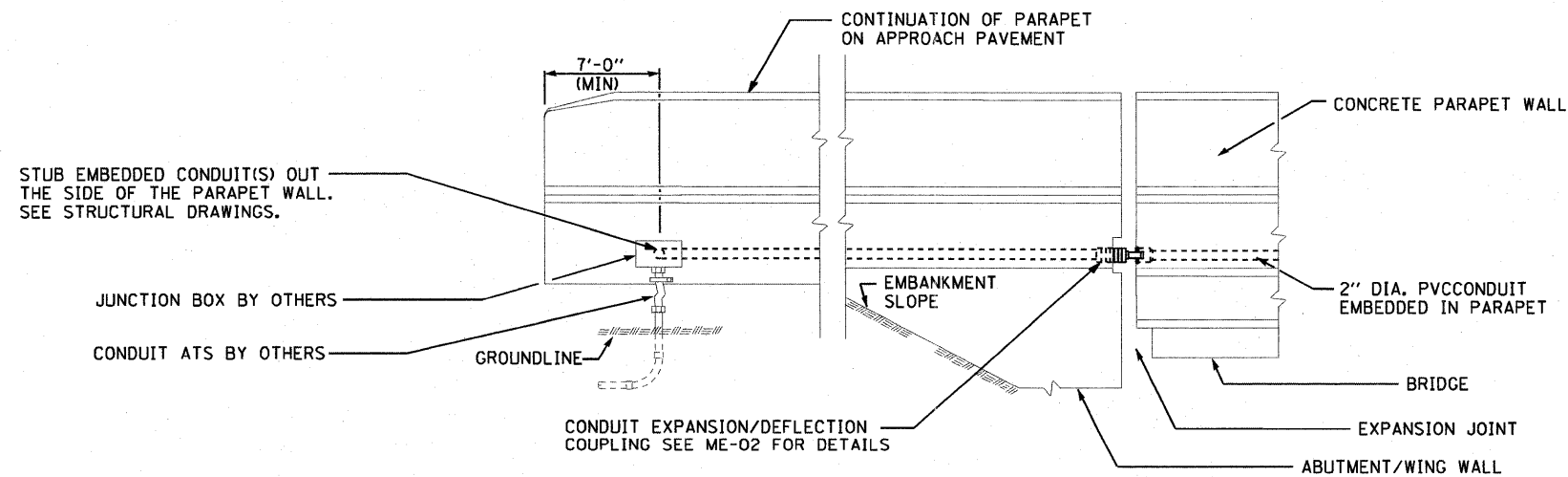
1. SEE DRAWING ME-01 FOR ELECTRICAL SYMBOLS AND ABBREVIATIONS.
2. SEE DRAWING ME-02 FOR ADDITIONAL CONDUIT INSTALLATION DETAILS.
3. SEE DRAWING ME-04 FOR CONDUIT TERMINATION AND ROUTING PLANS AT ABUTMENTS.



**VIEW B-B**



**CONDUIT TERMINATION DETAILS AT ABUTMENTS WITH CONDUIT SLEEVES**



**CONDUIT TERMINATION DETAILS AT ABUTMENTS WITH EXPANSION/DEFLECTION FITTING**

ME-03

USER NAME = lantzt	DESIGNED - WDS	REVISED -
PLOT SCALE = 2.0000' / in.	DRAWN - TL	REVISED -
PLOT DATE = *DATE#	CHECKED - JPC	REVISED -
	DATE - 3-18-11	REVISED -

**STATE OF ILLINOIS  
DEPARTMENT OF TRANSPORTATION**

**CONDUIT INSTALLATION DETAILS**

SCALE: SHEET NO. 2 OF 2 SHEETS STA. TO STA.

F.A.I. RTE.	SECTION	COUNTY	TOTAL SHEETS	SHEET NO.
70	82-1-B-1	ST. CLAIR	319	106
FED. ROAD DIST. NO. [ILLINOIS] FED. AID PROJECT			CONTRACT NO. 76C75	