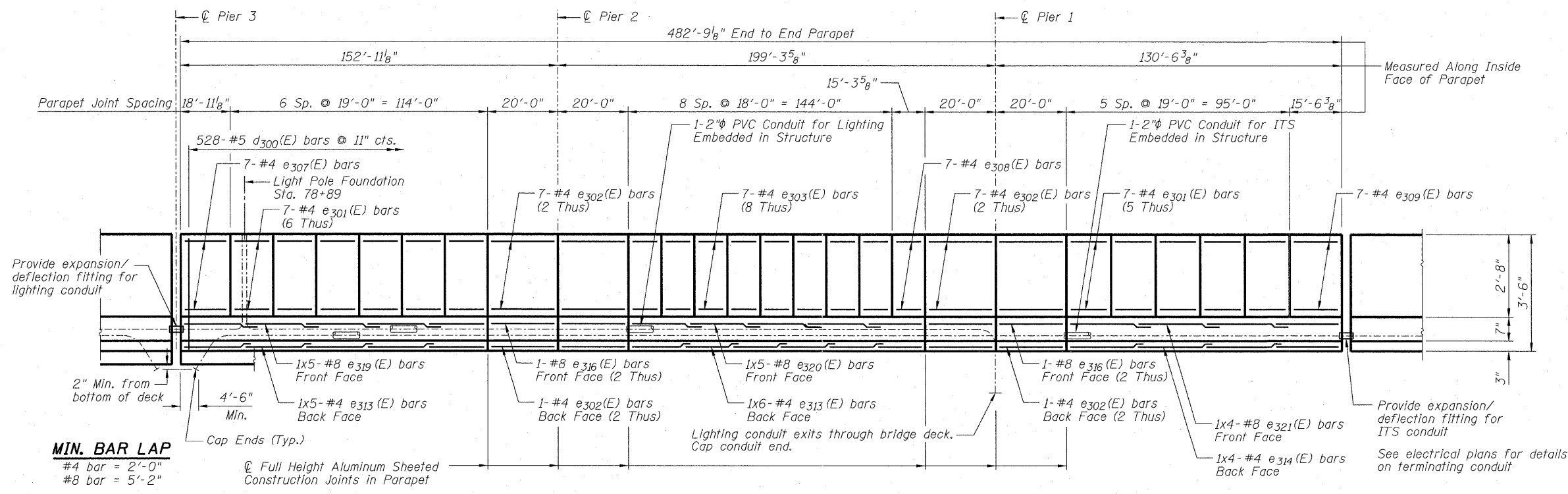


Note:
Bars indicated thus: 1x4-#8 etc., indicates one line of bars with 4 lengths per line

INSIDE ELEVATION OF SOUTH PARAPET - S.N. 082-0323



INSIDE ELEVATION OF NORTH PARAPET - S.N. 082-0323

08TR1-0820323-0820325-76C75-S43-ParapetElevations-023.dgn

	USER NAME = kmitzm	DESIGNED - JLA	REVISED -	STATE OF ILLINOIS DEPARTMENT OF TRANSPORTATION	PARAPET ELEVATIONS - S.N. 082-0323 I-70W OVER I-55, CSX & KCS RAILROADS		F.A.I. RTE. 70	SECTION 82-1-B-1	COUNTY ST. CLAIR	TOTAL SHEETS 319	SHEET NO. 158
	PLOT SCALE = 2.0000' / in. PLOT DATE = \$DATE\$	DRAWN - DAZ CHECKED - SAW DATE - 3-18-11	REVISED - REVISED - REVISED - REVISED -		SCALE: NONE SHEET NO. S-43 OF S-138 SHEETS STA. TO STA.	CONTRACT NO. 76C75 FED. ROAD DIST. NO. [ILLINOIS] FED. AID PROJECT					