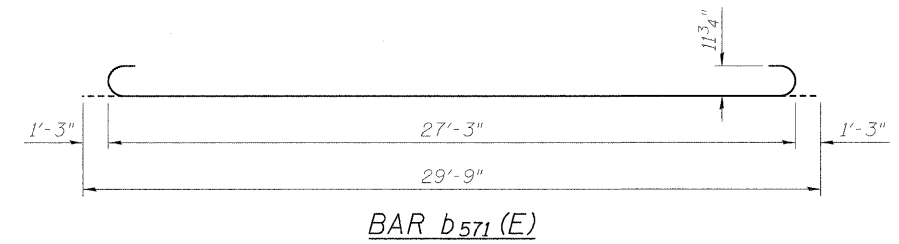
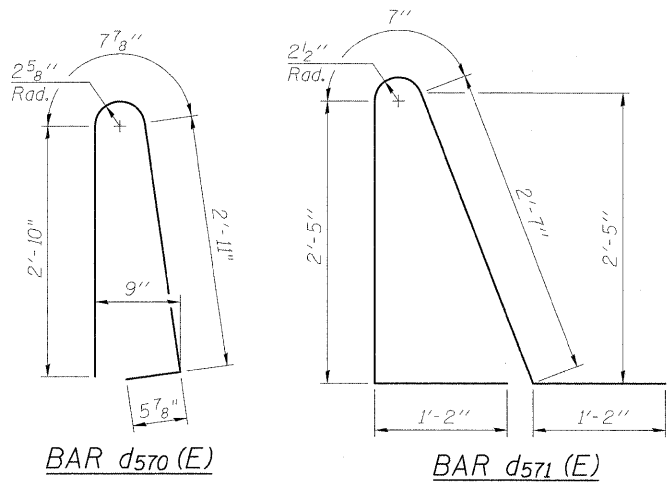
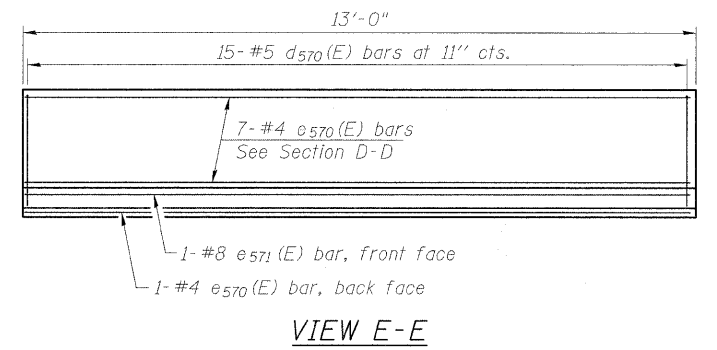
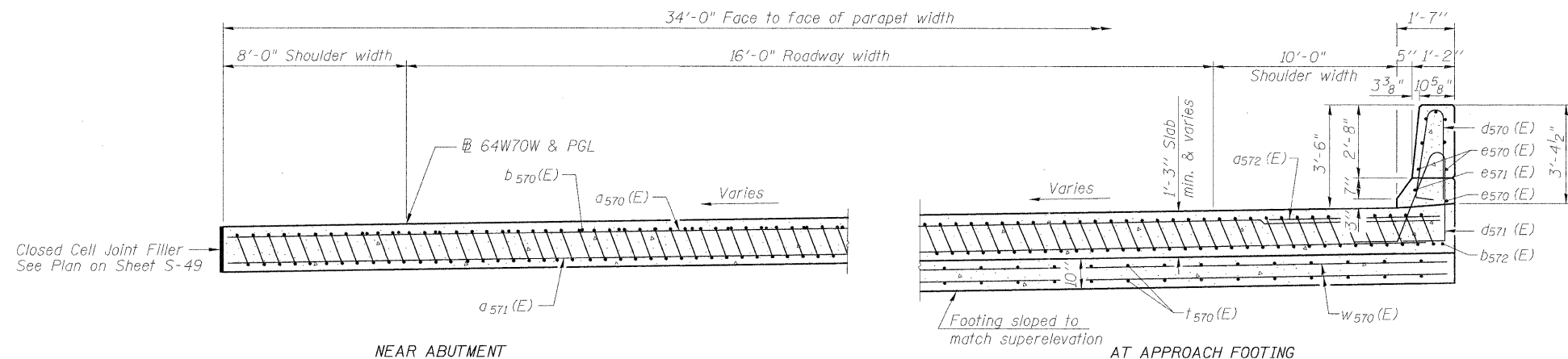


\* Tilt #9 b571 (E) bars as required to maintain clearance.  
 \*\*\* Cost included with Concrete Superstructure.

Notes:  
 See sheet S-49 for Detail A.  
 Approach slab and parapet concrete shall be paid for as Concrete Superstructure.  
 Approach footing concrete shall be paid for as Concrete Structures.  
 Reinforcement shall be paid for as Reinforcement Bars, Epoxy Coated.  
 For v100 (E) bar details, see sheet S-98.  
 The approach footing maximum applied service bearing pressure (Qmax) = 2.0 ksf.  
 Cost of excavation for approach footing included with Concrete Structures.  
 For Porous Granular Embankment (Special) and drainage treatment details, see sheet S-6.



**BILL OF MATERIAL**

Bar	No.	Size	Length	Shape
a570 (E)	50	#4	19'-9"	—
a571 (E)	92	#5	20'-0"	—
a572 (E)	22	#6	6'-6"	—
b570 (E)	28	#4	29'-8"	—
b571 (E)	81	#9	29'-9"	—
b572 (E)	2	#4	12'-8"	—
d570 (E)	30	#5	6'-11"	Λ
d571 (E)	30	#5	7'-11"	Λ
e570 (E)	16	#4	12'-8"	—
e571 (E)	2	#8	12'-8"	—
t570 (E)	76	#4	9'-8"	—
w570 (E)	80	#5	19'-5"	—
Concrete Superstructure			Cu. Yd.	61.7
Concrete Structures			Cu. Yd.	11.1
Reinforcement Bars, Epoxy Coated			Pound	14,340
Bridge Deck Grooving			Sq. Yd.	107
Protective Coat			Sq. Yd.	127

D:\I-1-0820323-0820323-76C75-556-E-Appr-Slab2-0215.dgn