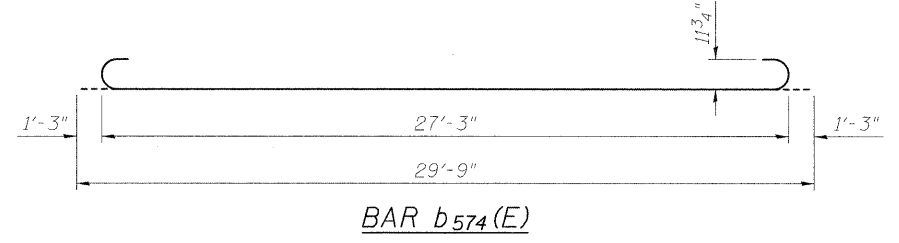
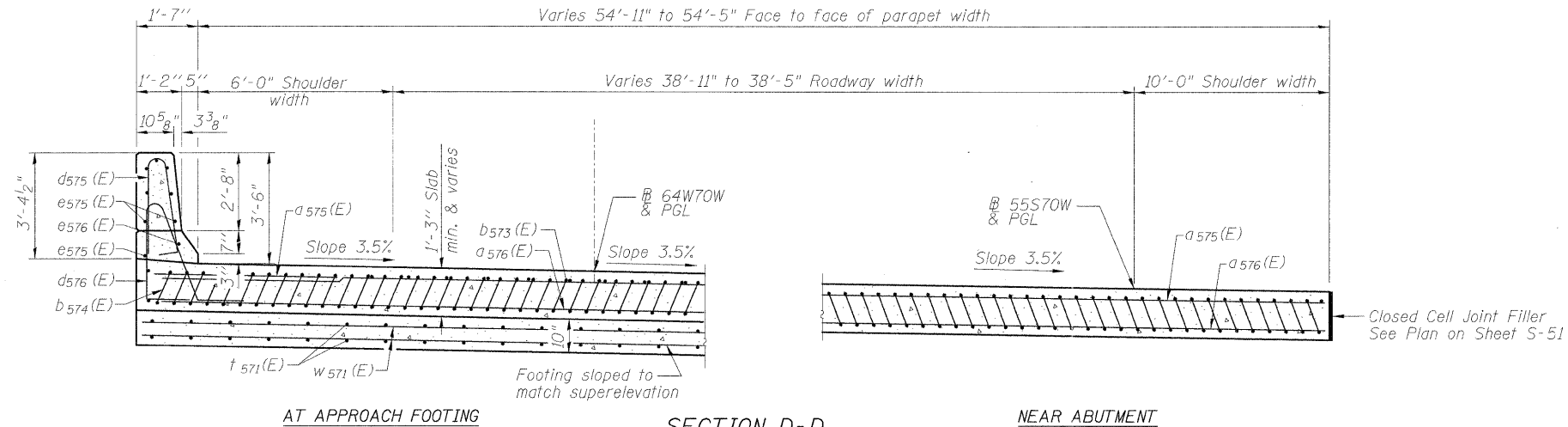


Notes:
 See sheet S-51 for Detail A.
 Approach slab and parapet concrete shall be paid for as Concrete Superstructure.
 Approach footing concrete shall be paid for as Concrete Structures.
 Reinforcement shall be paid for as Reinforcement Bars, Epoxy Coated.
 For v200(E) bar details, see sheet S-101.
 The approach footing maximum applied service bearing pressure (Qmax) = 2.0 ksf.
 Cost of excavation for approach footing included with Concrete Structures.
 For Porous Granular Embankment (Special) and drainage treatment details, see sheet S-6.

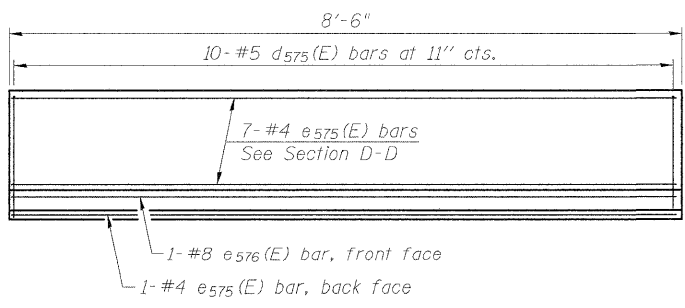
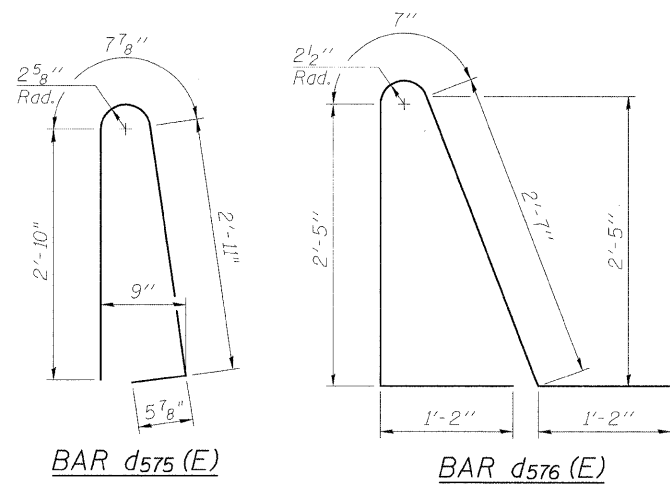
* Tilt #9 b574(E) bars as required to maintain clearance.
 *** Cost Included with Concrete Superstructure.



AT APPROACH FOOTING
 SECTION D-D
 (See Plan for dimensions not shown)

NEAR ABUTMENT

SECTION D-D



VIEW E-E

BILL OF MATERIAL

Bar	No.	Size	Length	Shape
d575(E)	50	#4	29'-10"	—
d576(E)	92	#5	30'-3"	—
d577(E)	12	#6	6'-6"	—
b573(E)	45	#4	29'-8"	—
b574(E)	132	#9	29'-9"	—
b575(E)	2	#4	8'-2"	—
d575(E)	20	#5	6'-11"	—
d576(E)	20	#5	7'-11"	—
e575(E)	16	#4	8'-2"	—
e576(E)	2	#8	8'-2"	—
t571(E)	116	#4	9'-8"	—
w571(E)	80	#5	29'-10"	—
Concrete Superstructure			Cu. Yd.	92.3
Concrete Structures			Cu. Yd.	17.8
Reinforcement Bars, Epoxy Coated			Pound	21,950
Bridge Deck Grooving			Sq. Yd.	177
Protective Coat			Sq. Yd.	193

081R1-0820323-0820325-76C75-952-WApp-S1.0a2-0215.dgn