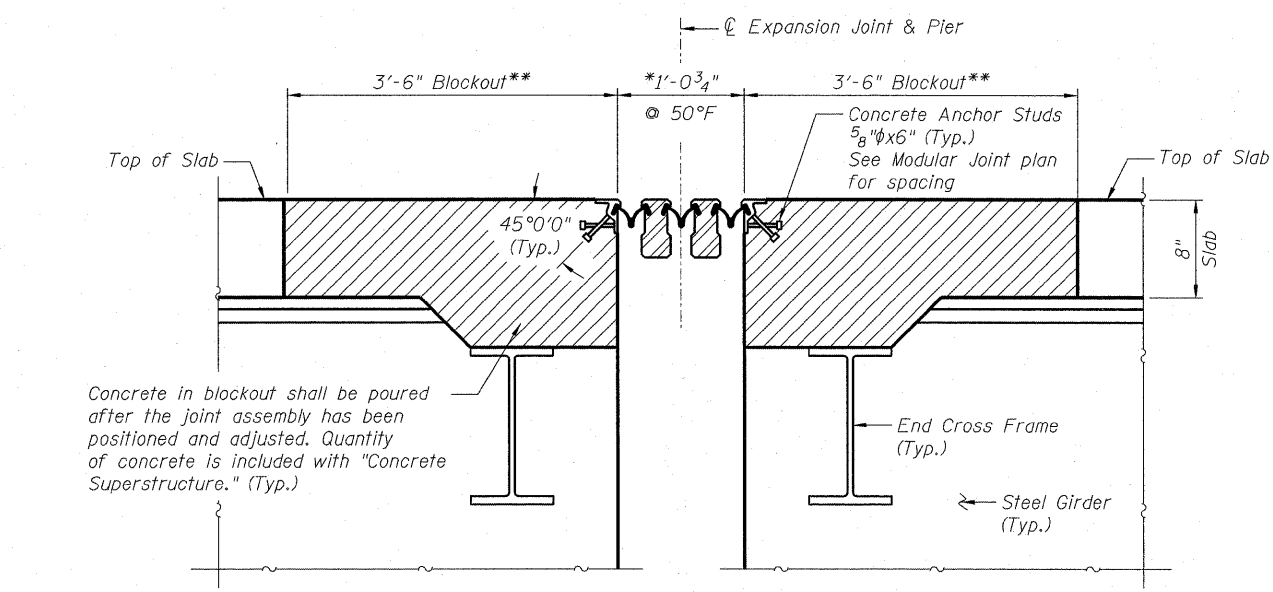
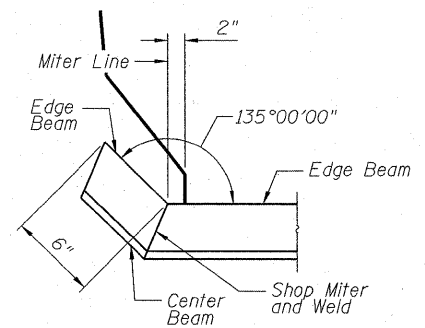


**SECTION F-F**

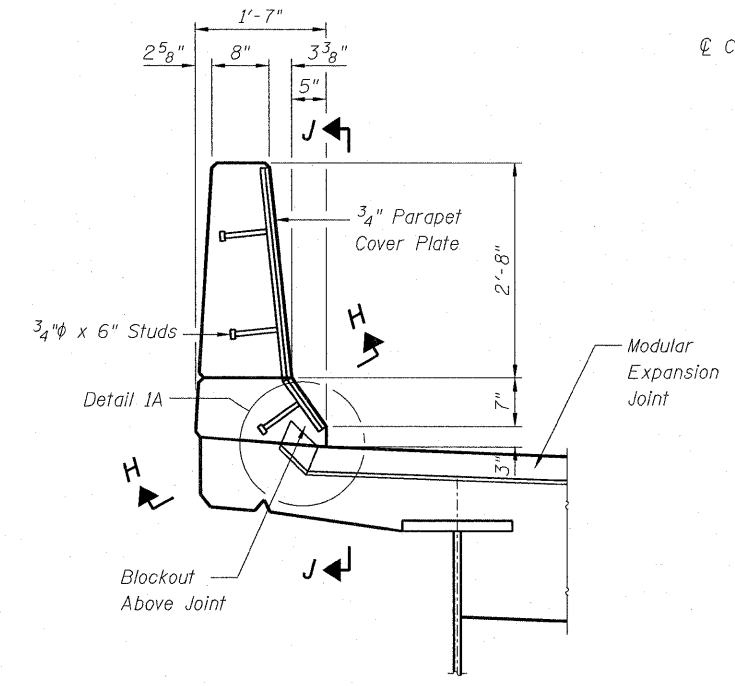


**SECTION G-G**

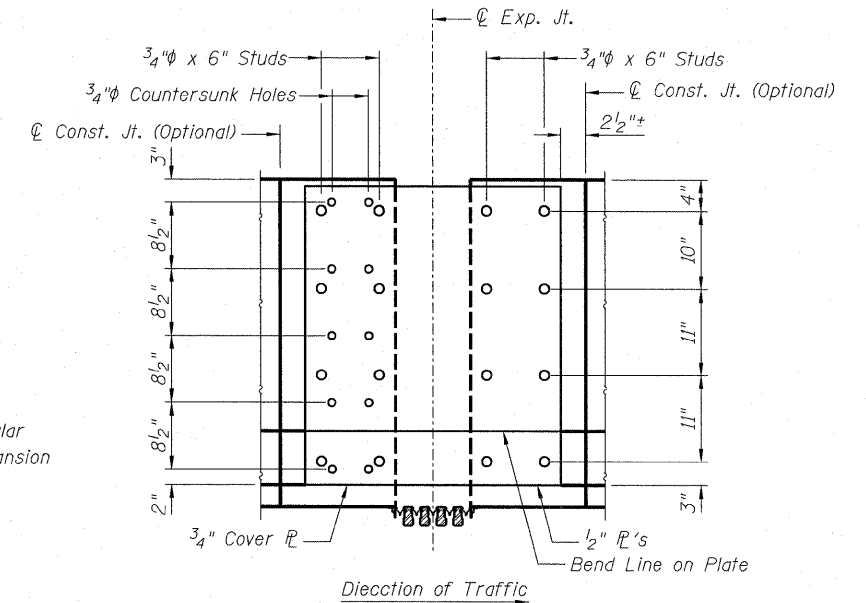
\*Number of beams and seals determined by manufacturer  
 \*\* Blockout dimensions to be verified by Contractor with Joint Manufacturer.



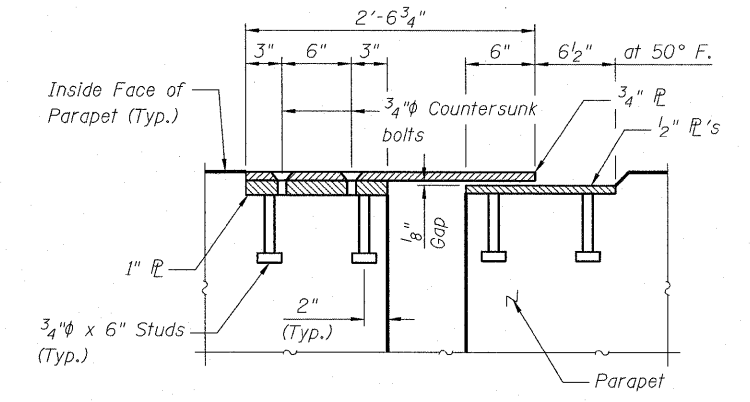
**DETAIL 1A**



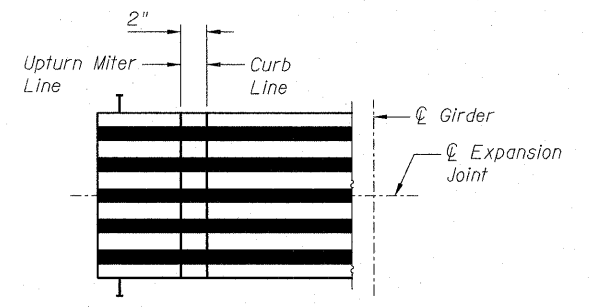
**DETAIL 1**



**SECTION J-J**



**SECTION H-H**



**DETAIL 2**

D:\FRI-0820323-0820325-76C75-561-ME1\p1\Detail.dgn

	USER NAME = kprizm	DESIGNED - JLA	REVISED -	<b>STATE OF ILLINOIS</b> <b>DEPARTMENT OF TRANSPORTATION</b>	<b>MODULAR EXPANSION JOINT DETAILS II</b> <b>I-70W OVER I-55, CSX &amp; KCS RAILROADS</b>		F.A.I. RTE. 70	SECTION 82-1-B-1	COUNTY ST. CLAIR	TOTAL SHEETS 319	SHEET NO. 176
	PLOT SCALE = 2.0000" / 1"	CHECKED - SAW	REVISED -		SCALE: NONE	SHEET NO. 5-61 OF 5-138 SHEETS	STA. TO STA.	S.N. 082-0323 & S.N. 082-0325	CONTRACT NO. 76C75		FED. ROAD DIST. NO. ILLINOIS FED. AID PROJECT
	PLOT DATE = #DATE#	DATE - 3-18-11	REVISED -								