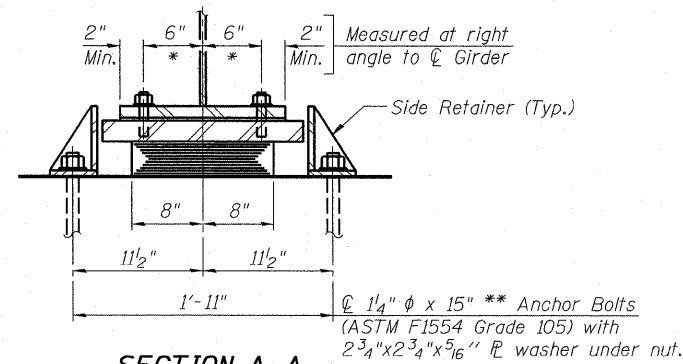


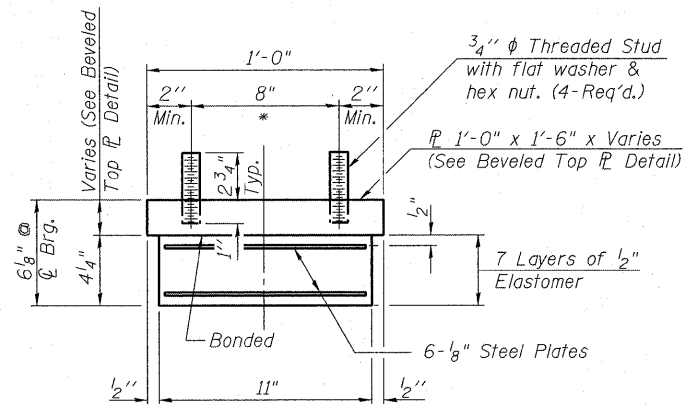
ELEVATION AT E. ABUT. (S.N. 082-0323)



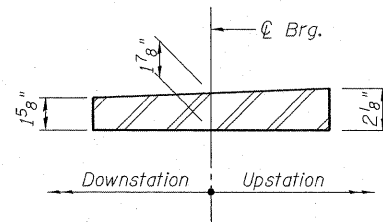
SECTION A-A

**Length shown is minimum required embedment length.

TYPE I ELASTOMERIC EXP. BRG.

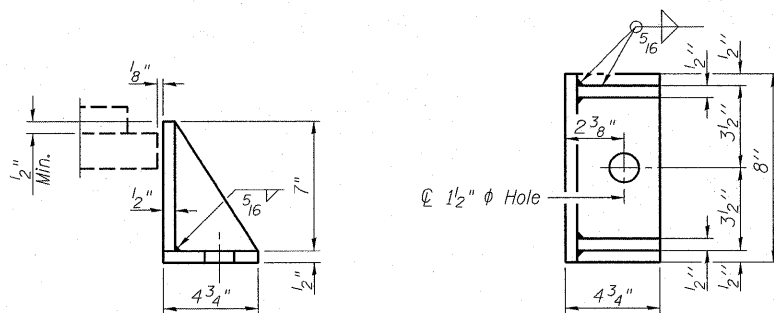


BEARING ASSEMBLY



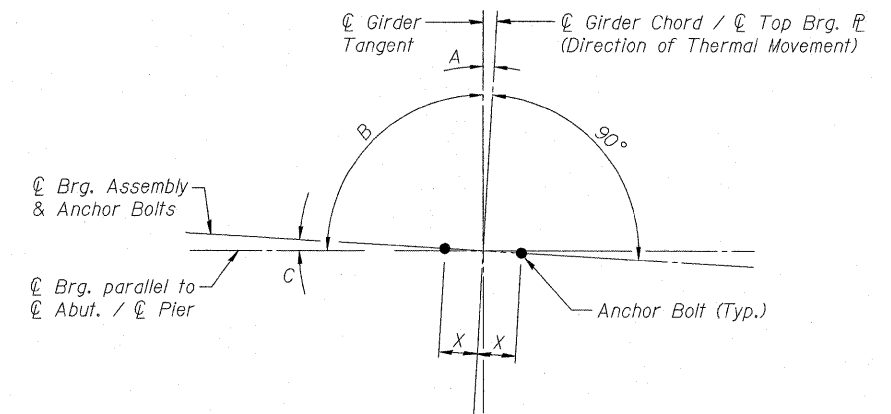
BEVELED TOP FLANGE DETAIL

Note: Shim plates shall not be placed under Bearing Assembly.



SIDE RETAINER

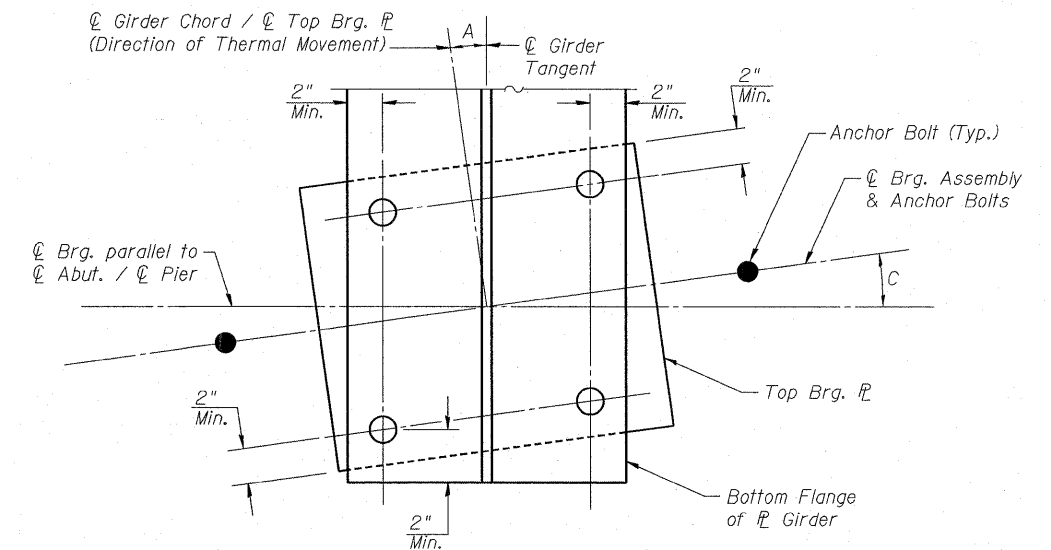
Equivalent rolled angle with stiffeners will be allowed in lieu of welded plates.



ANCHOR BOLT LAYOUT

Structure	Location	X	A	B	C	
S.N. 082-0323	E. Abut.	11 1/2"	0°34'40"	90°0'0"	0°34'40"	
	Pier 3-E	12 1/2"	3°32'27"	90°0'0"	3°32'27"	
	Pier 3-W	12 1/2"	2°7'13"	90°0'0"	2°7'13" (1B-6B)	
S.N. 082-0325	E. Abut.	11 1/2"	2°58'30"	90°0'0"	2°58'30"	
	Pier 7-E	11 1/2"	0°	90°0'0"	0°	
	Pier 7-W		12 1/2"	1°30'0" (7B-9B)	85°2'56"	3°27'4" (7B-9B)
				0°59'0" (10B)	92°28'4"	3°27'4" (10B)
				4°31'51" (11B)	86°32'55"	3°27'4" (11B)
W. Abut.	12 1/2"	4°38'8" (1B-7B)	90°0'0"	4°38'8" (1B-7B)		
			5°32'21" (11B)	89°5'47"	4°38'8" (11B)	

*Layout of threaded studs on Top Brg. fl shall accommodate angle "A". Maintain 2" min. from fl studs to edges of flange & Top Brg. fl. Applicable to both Elastomeric Bearing Assembly Types I & III.



THREADED STUD LAYOUT

Top Flange not shown for clarity.

BILL OF MATERIAL

Item	Unit	Total
Elastomeric Bearing Assembly Type I	Each	6
Anchor Bolts 1 1/4"	Each	12

Notes:
 Anchor bolts shall be ASTM F1554 all-thread (or an Engineer-approved alternate material) of the grade(s) and diameter(s) specified. ASTM A307 Grade C anchor bolts may be used in lieu of ASTM F1554 Grade 36 (Fy=36ksi). The corresponding specified grade of AASHTO M314 anchor bolts may be used in lieu of ASTM F1554.
 Anchor bolts for side retainers may be cast in place or installed in holes drilled before or after members are in place.
 Drilled and set anchor bolts shall be installed according to Article 521.06 of the Standard Specifications.
 Side retainers and other steel members required for the elastomeric bearing assembly shall be included in the cost of Elastomeric Bearing Assembly, Type I.
 The structural steel plates of the Bearing Assembly shall conform to the requirements of AASHTO M 270 Grade 50.
 Two 1/8 in. adjusting shims shall be provided for each bearing in addition to all other plates or shims and placed as shown on bearing details.
 See Sheets S-83 thru S-86 for bearing layout & orientation.



USER NAME = bhata	DESIGNED - CLS	REVISED -
PLOT SCALE = 8/2" = 1' / in.	DRAWN - GF	REVISED -
PLOT DATE = #DATE#	CHECKED - ATB	REVISED -
	DATE - 03/18/2011	REVISED -

STATE OF ILLINOIS
 DEPARTMENT OF TRANSPORTATION

ELASTOMERIC BEARING DETAILS I
 I-70W OVER I-55, CSX & KCS RAILROADS
 SCALE: NONE SHEET NO. S-87 OF S-138 SHEETS STA. TO STA.

F.A.I. RTE. 70	SECTION 82-1-B-1	COUNTY ST. CLAIR	TOTAL SHEETS 319	SHEET NO. 202
S.N. 082-0323 & S.N. 082-0325		CONTRACT NO. 76C75		
FED. ROAD DIST. NO.		ILLINOIS FED. AID PROJECT		