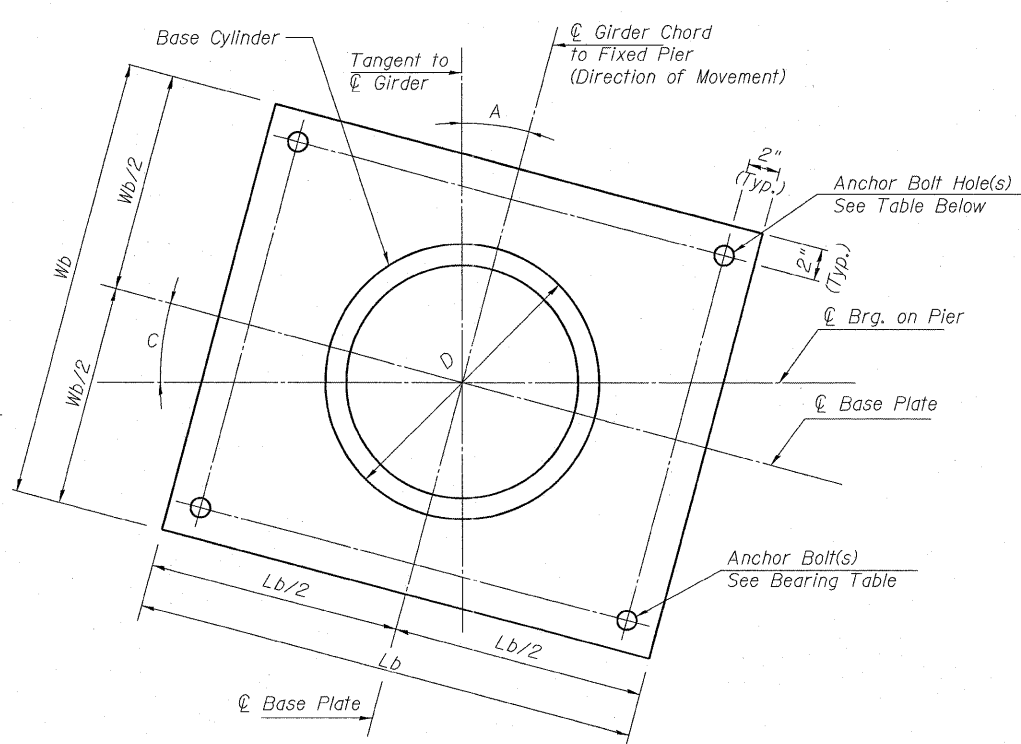
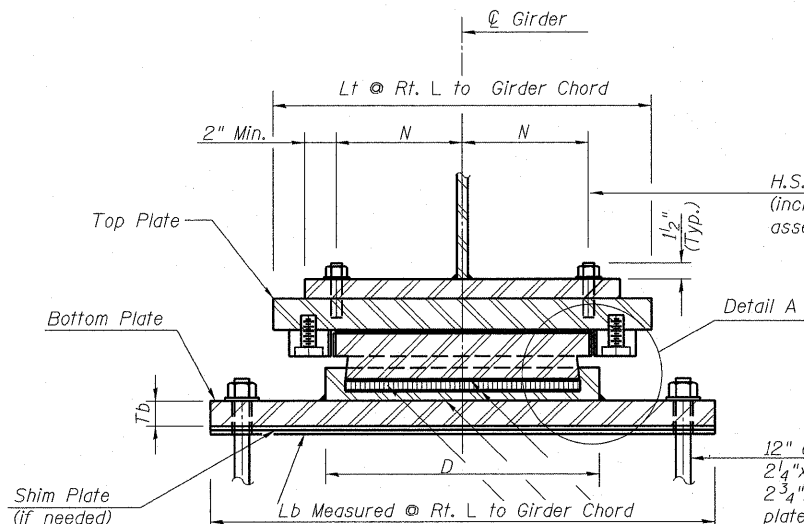


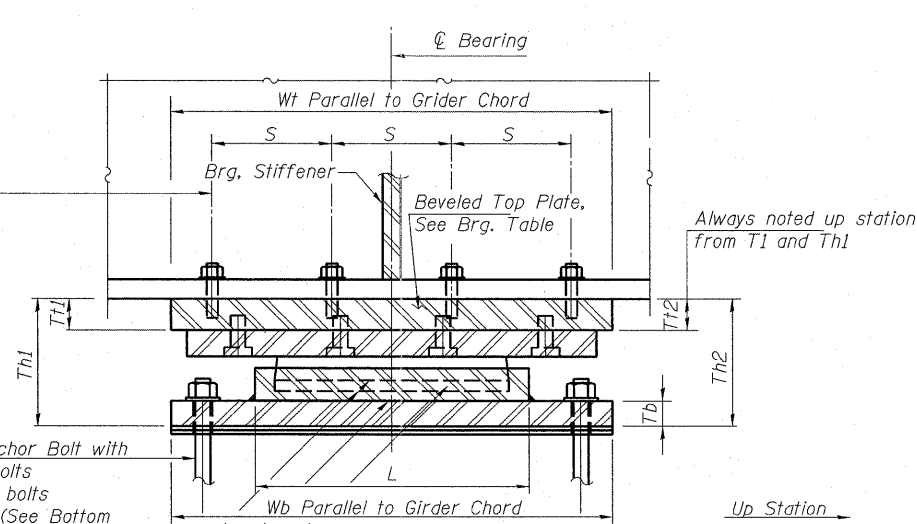
TOP BEARING PLATE AND PISTON PLAN



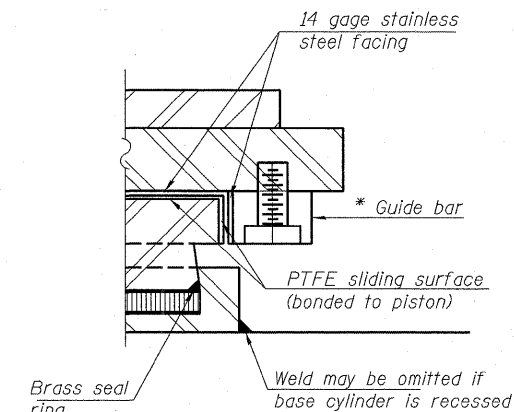
BOTTOM BEARING PLATE AND BASE CYLINDER PLAN



SECTION 1-1



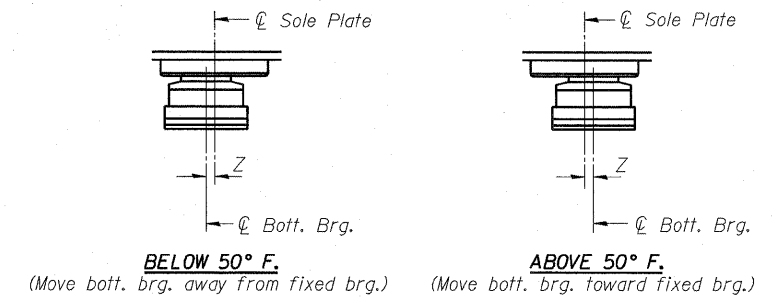
SECTION 2-2



DETAIL A

* As alternates to the bolted connection shown, the guide bars may be connected to the top bearing plate by groove welds or the guide bars and top bearing plate may be fabricated as a single piece.

Notes:
 The Structural Steel for the top & bottom bearing plates shall be AASHTO M270 Grade 50.
 For anchor bolt type and details see Bearing Dimensions Table.
 Top & bottom plates, threaded studs, washers & shim plates are included in the cost of the Bearings.
 Anchor bolts for bearings shall be placed in holes drilled in the concrete through holes in the bottom bearing plate after members are in place.
 Drilled and set anchor bolts shall be installed according to Article 521.06 of the Standard Specifications.
 The 1/8" PTFE sheet shall be bonded directly to the piston with a two-component, medium viscosity epoxy resin, conforming to the requirements of the Federal Specification MMM-A-134, Type I. The bond agent shall be applied on the full area of the contact surfaces.
 Two 1/8 in. adjusting shims shall be provided for each bearing in addition to all other plates or shims and placed as shown on bearing details.
 Work this sheet with sheet S-90.



SETTING ANCHOR BOLTS AT EXP. BRG.

Z = 1/8" per each 100' of expansion for every 15° temp. change from the normal temp. of 50° F.

BASE PLATE HOLE TABLE

Anchor Bolt ϕ	Max. Hole ϕ
1 1/4"	1 3/4"
1"	1 1/2"

P:\60846509\9082.CAD\901.D-bearings\76C709.Master-Consultant\Structure\1\082-0323\Sheet\5089_082-0323_0325_76C709_POT.EI.dgn



USER NAME = BhattA	DESIGNED - LLV	REVISED -
PLLOT SCALE = 1/2" = 1'-0"	DRAWN - BRD	REVISED -
PLLOT DATE = #DATE#	CHECKED - P.JL	REVISED -
	DATE - 03/18/2011	REVISED -

STATE OF ILLINOIS
DEPARTMENT OF TRANSPORTATION

EXPANSION POT BEARING DETAILS I	
I-70W OVER I-55, CSX & KCS RAILROADS	
SCALE: NONE	SHEET NO. S-89 OF S-138 SHEETS STA. TO STA.

F.A.I. RTE. 70	SECTION 82-1-B-1	COUNTY ST. CLAIR	TOTAL SHEETS 319	SHEET NO. 204
S.N. 082-0323 & S.N. 082-0325		CONTRACT NO. 76C75		
FED. ROAD DIST. NO. [ILLINOIS] FED. AID PROJECT				