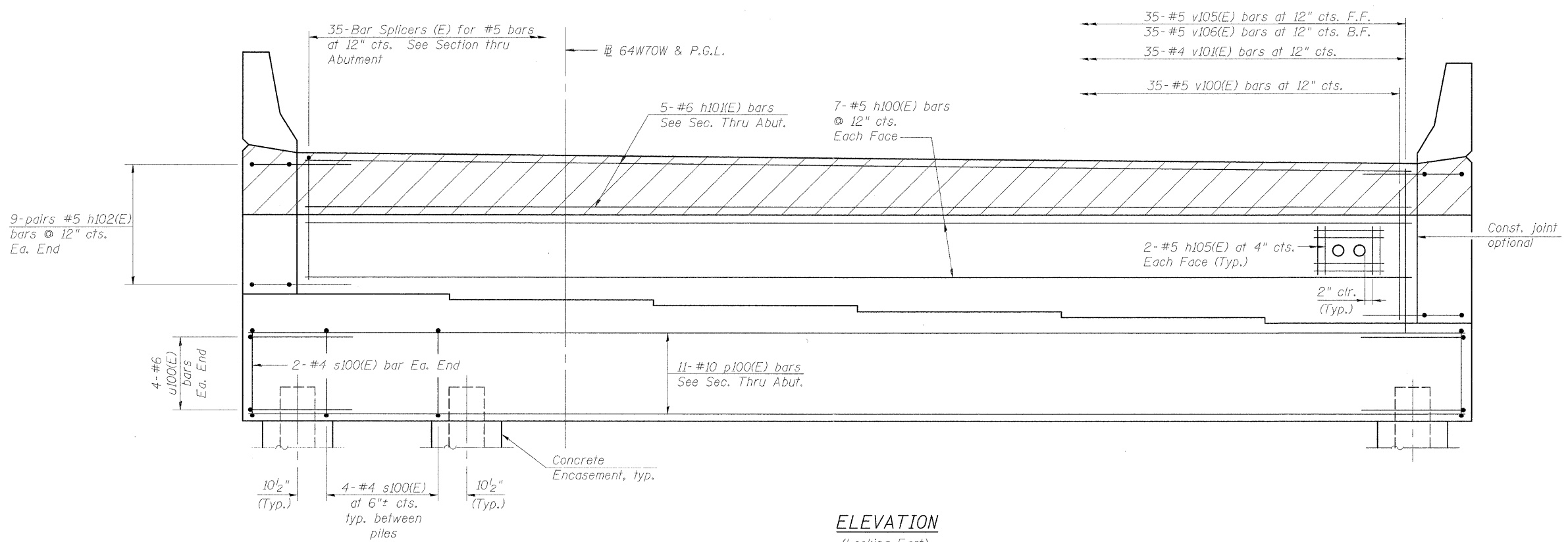


ELEVATION
(Looking East)
Showing Dimensions



ELEVATION
(Looking East)
Showing Reinforcement



USER NAME = BhattA	DESIGNED - DDB	REVISED -
PLOT SCALE = 0.083333 1/12	DRAWN - BRD	REVISED -
PLOT DATE = \$DATE\$	CHECKED - ATB	REVISED -
	DATE - 05-02-11	REVISED -

STATE OF ILLINOIS
DEPARTMENT OF TRANSPORTATION

EAST ABUTMENT ELEVATIONS - S.N. 082-0325
I-70W OVER I-55, CSX & KCS RAILROADS

SCALE: NONE SHEET NO. S-97 OF S-138 SHEETS STA. TO STA.

F.A.I. RTE. 70	SECTION 82-1-B-1	COUNTY ST. CLAIR	TOTAL SHEETS 319	SHEET NO. 212
S.N. 082-0323 & S.N. 082-0325		CONTRACT NO. 76C75		
FED. ROAD DIST. NO.		ILLINOIS FED. AID PROJECT		

P:\66066601\900_CAD\901_Drawings\76C700_Master_Compiled\Structural\082-0323\Sheet\0325_76C75_EastAbut2.dgn