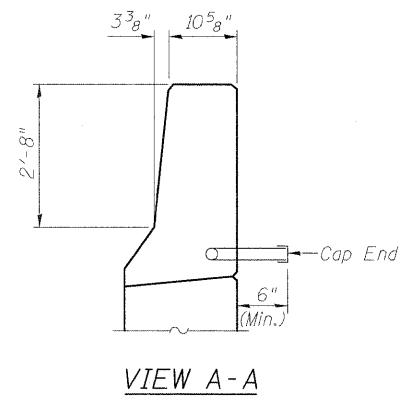
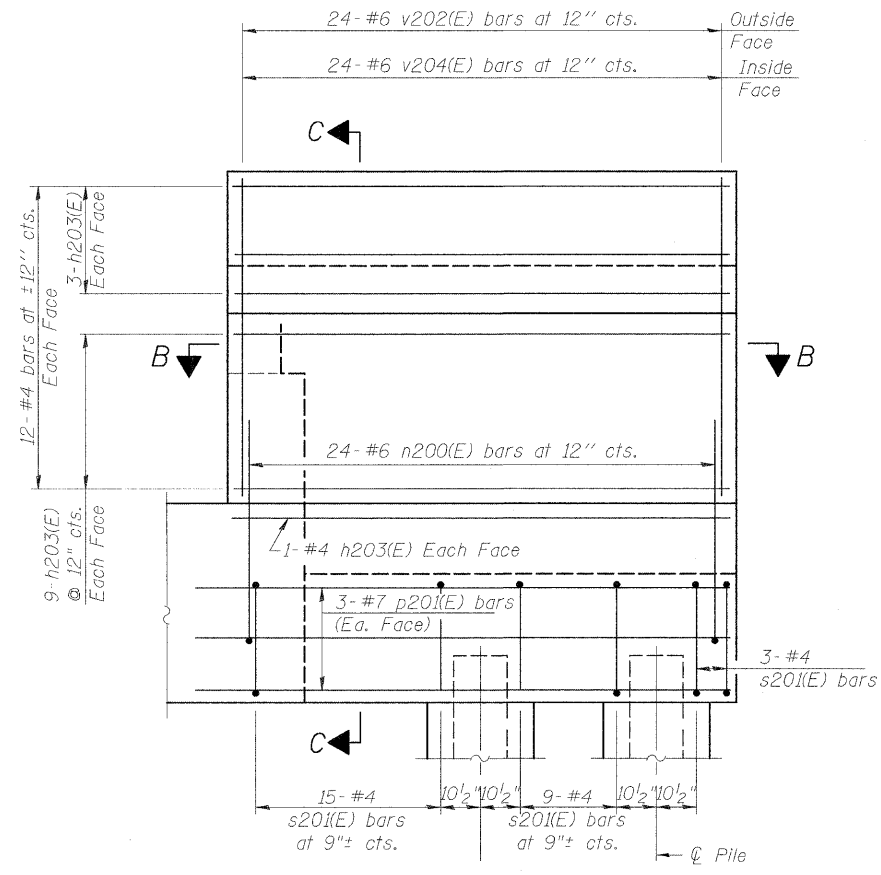


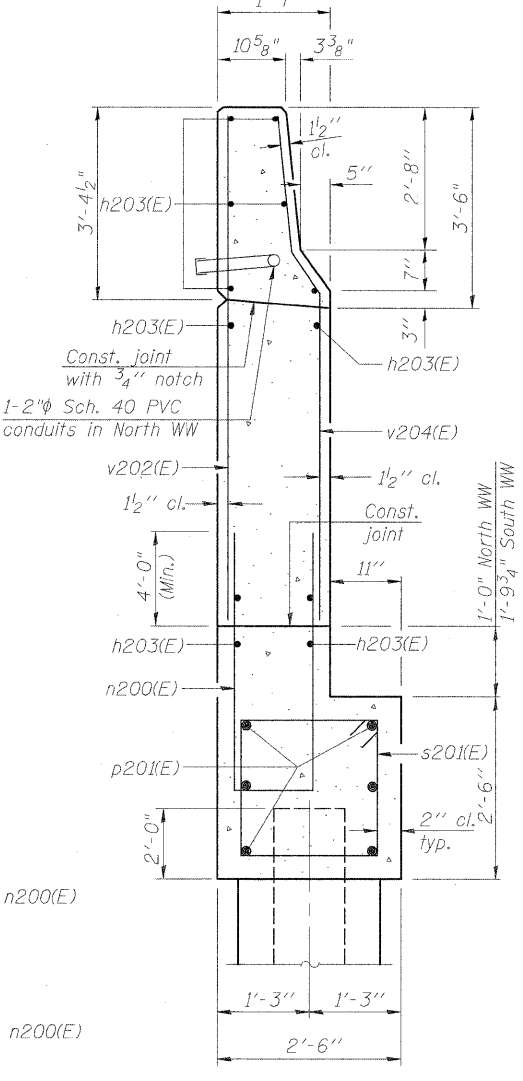
**WING WALL ELEVATION**  
Showing Dimensions



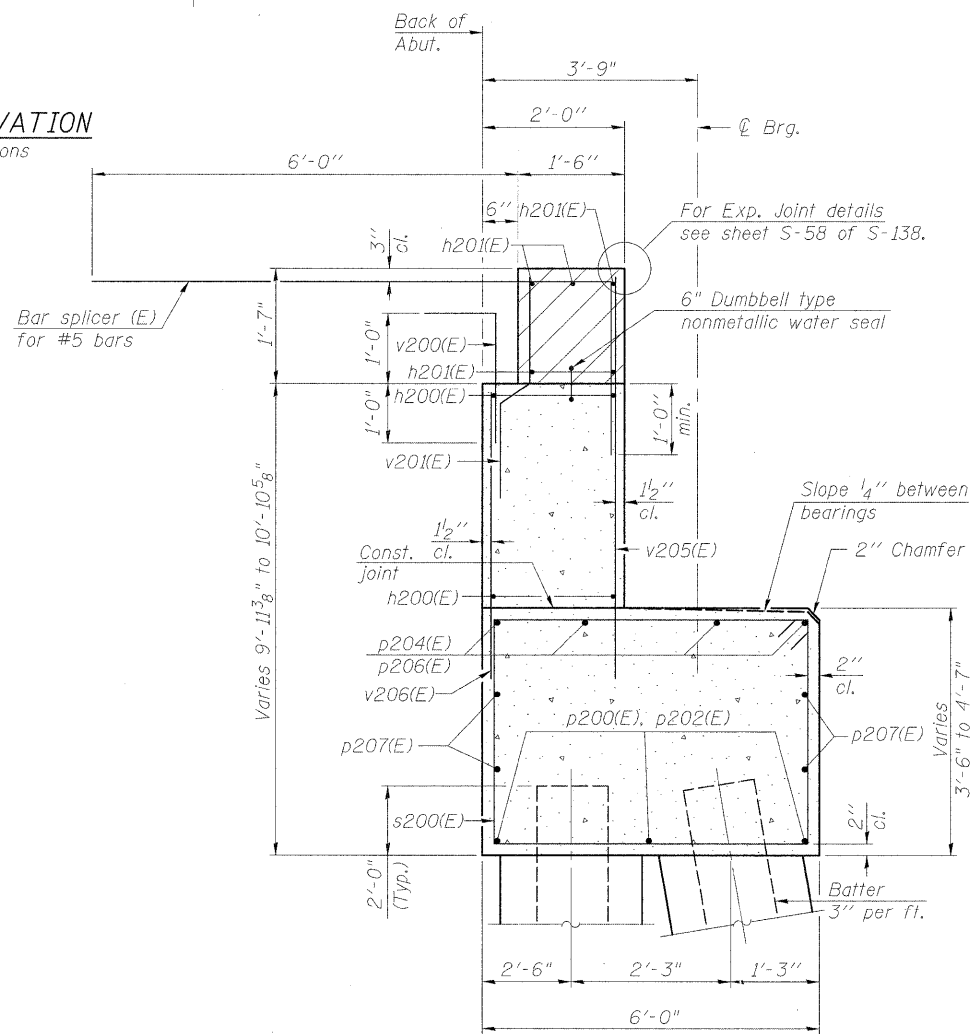
**VIEW A-A**



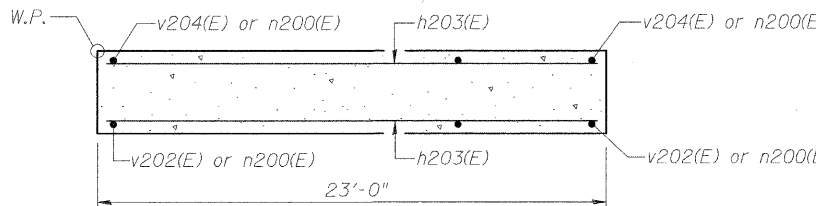
**WING WALL ELEVATION**  
Showing Reinforcement



**SECTION C-C**



**SEC. THRU ABUT.**



**SECTION B-B**

Notes:  
 Hatched area to be poured after superstructure false work has been removed. Quantity of concrete included with Concrete Superstructure.  
 Space reinforcement in cap to miss anchor bolts.  
 Pour steps monolithically with cap.  
 Quantity of concrete in end post included with Concrete Superstructure on sheet S-44 of S-138.  
 For Concrete Encasement details, see sheet S-122 of S-138.  
 See Electrical Plans for conduit termination details through Abutment.



USER NAME = BhattA	DESIGNED - DDB	REVISED -
PLOT SCALE = 1/8" = 1' / in.	DRAWN - BRD	REVISED -
PLOT DATE = #DATE#	CHECKED - ATB	REVISED -
	DATE - 04-26-11	REVISED -

STATE OF ILLINOIS  
DEPARTMENT OF TRANSPORTATION

WEST ABUTMENT DETAILS - S.N. 082-0325  
I-70W OVER I-55, CSX & KCS RAILROADS

SCALE: NONE SHEET NO. S-101 OF S-138 SHEETS STA. TO STA.

F.A.I. RTE.	SECTION	COUNTY	TOTAL SHEETS	SHEET NO.
70	82-1-B-1	ST. CLAIR	319	216
S.N. 082-0323 & S.N. 082-0325		CONTRACT NO. 76C75		
FED. ROAD DIST. NO.		ILLINOIS FED. AID PROJECT		

P:\P90046807\100\_CAD\301\_Drawings\76C09.Master-Consolidated\Structural\082-0323-0325-76C75-WestAbut3.dgn