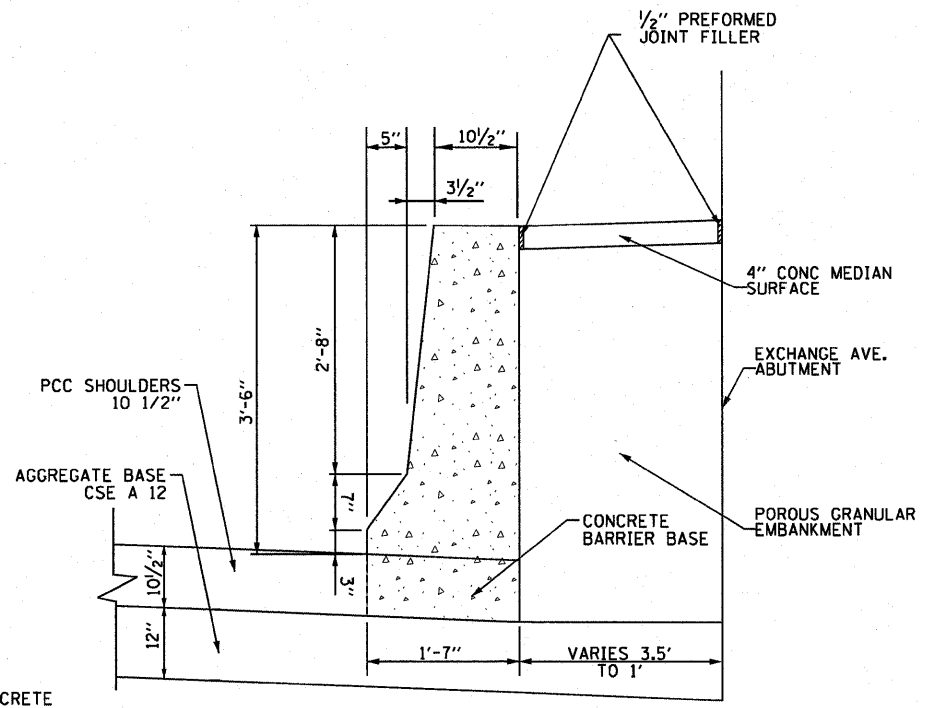
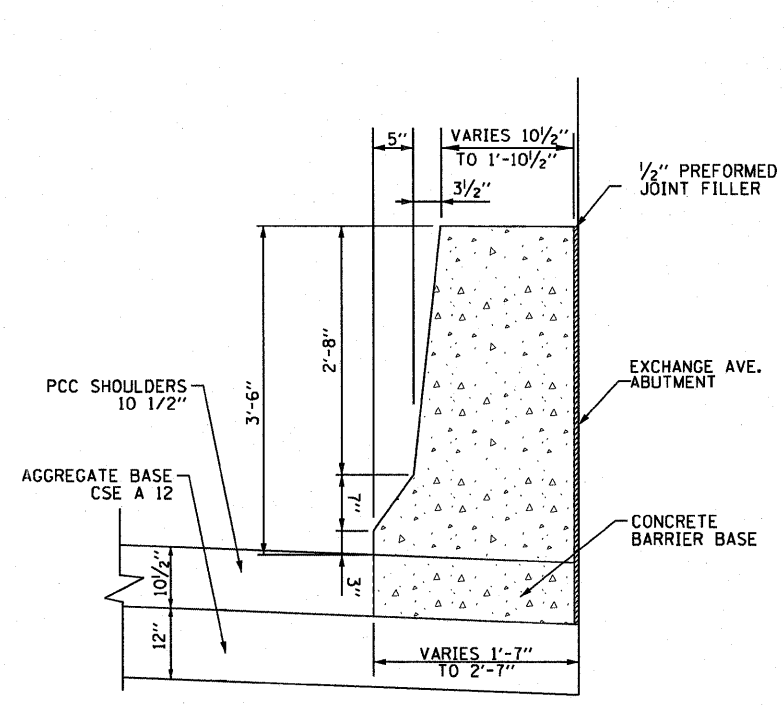


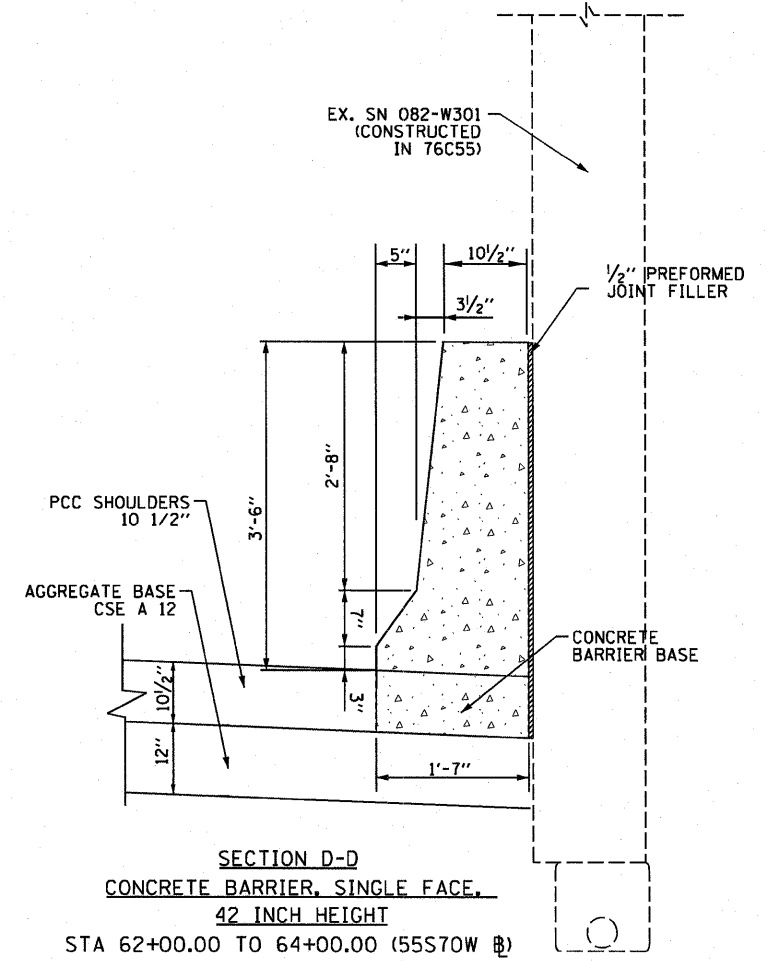
SECTION A-A
CONCRETE BARRIER, SINGLE FACE,
42 INCH HEIGHT (SPECIAL)
 STA 60+50.00 TO 61+32.34 (55S70W Ⓟ)



SECTION B-B
CONCRETE BARRIER, SINGLE FACE,
42 INCH HEIGHT
 STA 61+32.34 TO 61+71.88 (55S70W Ⓟ)



SECTION C-C
CONCRETE BARRIER TRANSITION
 STA 61+71.88 TO 62+00.00
 (55S70W Ⓟ)



SECTION D-D
CONCRETE BARRIER, SINGLE FACE,
42 INCH HEIGHT
 STA 62+00.00 TO 64+00.00 (55S70W Ⓟ)

NOTES:
 NOTES FROM CONCRETE BARRIER, SINGLE FACE, 42 INCH HEIGHT (SPECIAL)
 APPLY TO ALL CONCRETE BARRIER, SINGLE FACE, 42 INCH HEIGHT AND
 CONCRETE BARRIER TRANSITION. (SEE ROADWAY DETAILS SHEET 2 OF 4)



USER NAME = saar/sb	DESIGNED - CRH	REVISED -
PLOT SCALE = 48.0000' / in.	DRAWN - CRH	REVISED -
PLOT DATE = #DATE#	CHECKED - DBM	REVISED -
	DATE - 3-18-11	REVISED -

STATE OF ILLINOIS
DEPARTMENT OF TRANSPORTATION

ROADWAY DETAILS	
SCALE: 1" = 5'	SHEET NO. 3 OF 4 SHEETS
STA.	TO STA.

F.A.I. RTE.	SECTION	COUNTY	TOTAL SHEETS	SHEET NO.
70	82-1-B-1	ST. CLAIR	319	286A
CONTRACT NO. 76C75				
FED. ROAD DIST. NO. ILLINOIS FED. AID PROJECT				