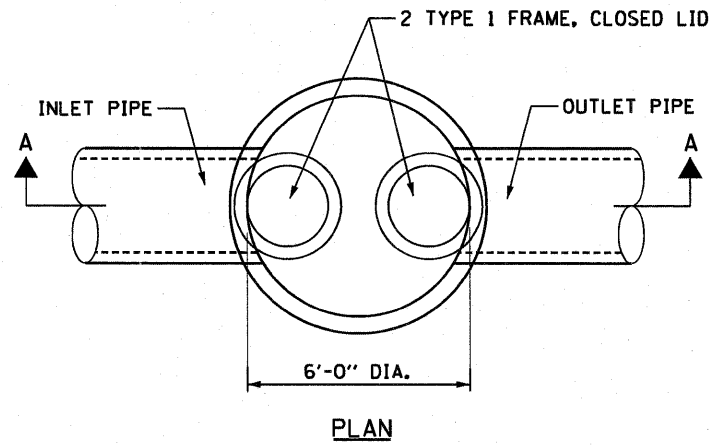


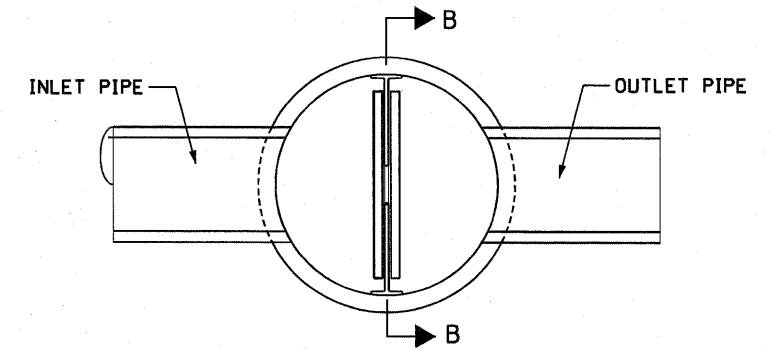
ANGLE FASTENER DETAIL

NOTES:

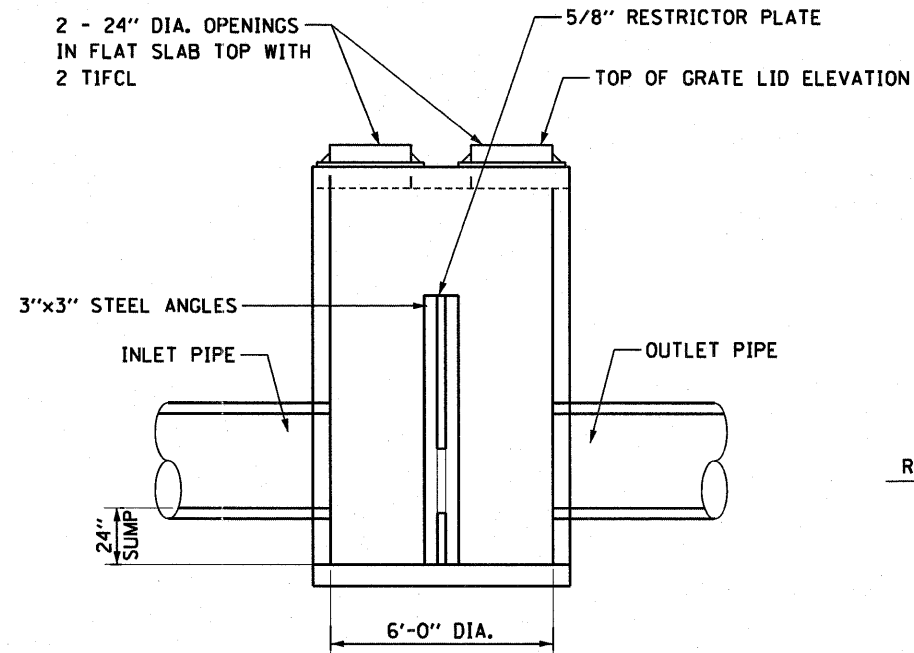
1. ALL STEEL ANGLES AND PLATE TO BE GALVANIZED AFTER FABRICATION.
2. ALL RESTRICTOR PLATES, ANGLES AND HARDWARE TO BE INCLUDED IN THE COST OF THE MANHOLE.



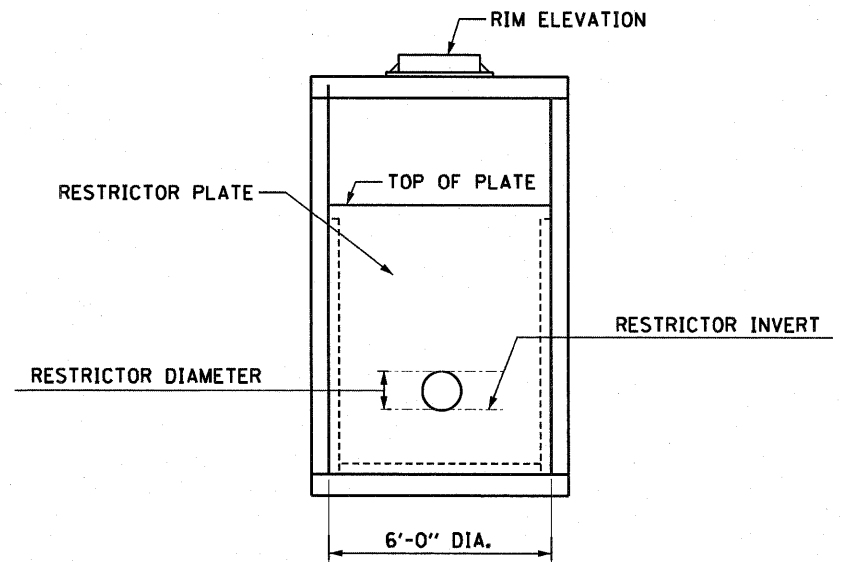
PLAN



PLAN

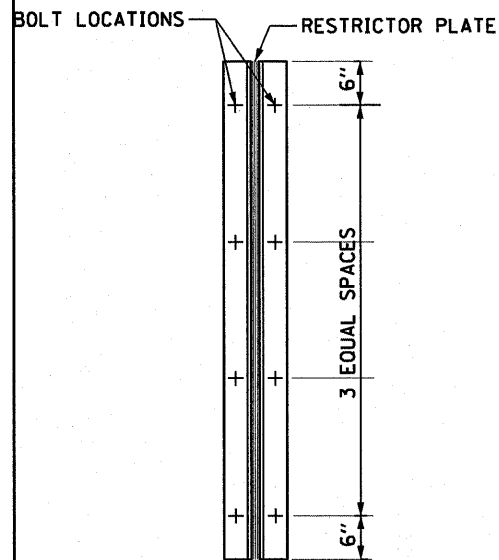


SECTION A-A

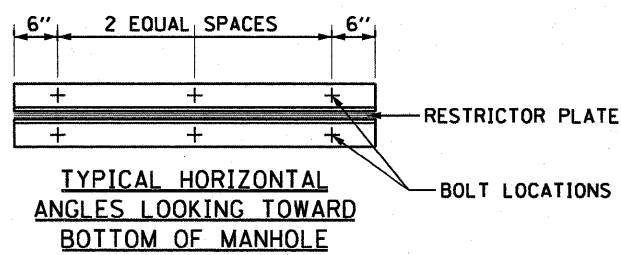


SECTION B-B

THIS WORK WILL BE PAID FOR AT THE CONTRACT UNIT PRICE PER EACH FOR: MANHOLES, TYPE A, 6'-DIAMETER, WITH 2 TYPE 1 FRAME, CLOSED LID, RESTRICTOR PLATE



**TYPICAL VERTICAL ANGLES
LOOKING TOWARD MANHOLE WALL**



**TYPICAL HORIZONTAL
ANGLES LOOKING TOWARD
BOTTOM OF MANHOLE**

TOTAL BOLTS REQUIRED: 22

NOTES:

1. ANGLES SHOULD BE 3"x3"x3/4"
2. VERTICAL ANGLES SHOULD EXTEND FROM THE BOTTOM OF THE RESTRICTOR PLATE TO THE TOP.
3. HORIZONTAL ANGLES SHOULD EXTEND FROM VERTICAL ANGLE TO VERTICAL ANGLE.

STEEL ANGLE BOLTING DETAILS

STR. NO.	STATION	OFFSET	ROADWAY	RESTRICTOR DIAMETER (INCHES)	RESTRICTOR INVERT	TOP OF PLATE ELEVATION	RIM ELEVATION
S 1-07	60+82.25	40.00' LT	55S70W	16	396.01	400.93	403.26
S 9-04	70+76.42	102.41' RT	55S70W	4.5	407.34	412.90	419.00

USER NAME = Henaoc	DESIGNED - KLK	REVISED -
PLOT SCALE = 2,0000' / in.	DRAWN - KLK	REVISED -
PLOT DATE = #DATE#	CHECKED - EY	REVISED -
	DATE - 3-18-11	REVISED -

**STATE OF ILLINOIS
DEPARTMENT OF TRANSPORTATION**

DRAINAGE DETAIL 2

SCALE: NONE SHEET NO. 2 OF 4 SHEETS STA. TO STA.

F.A.I. RTE.	SECTION	COUNTY	TOTAL SHEETS	SHEET NO.
70	82-1-B-1	ST. CLAIR	319	291
CONTRACT NO. 76C75				
FED. ROAD DIST. NO. [ILLINOIS] FED. AID PROJECT				