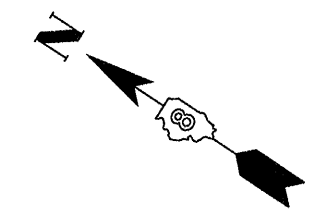
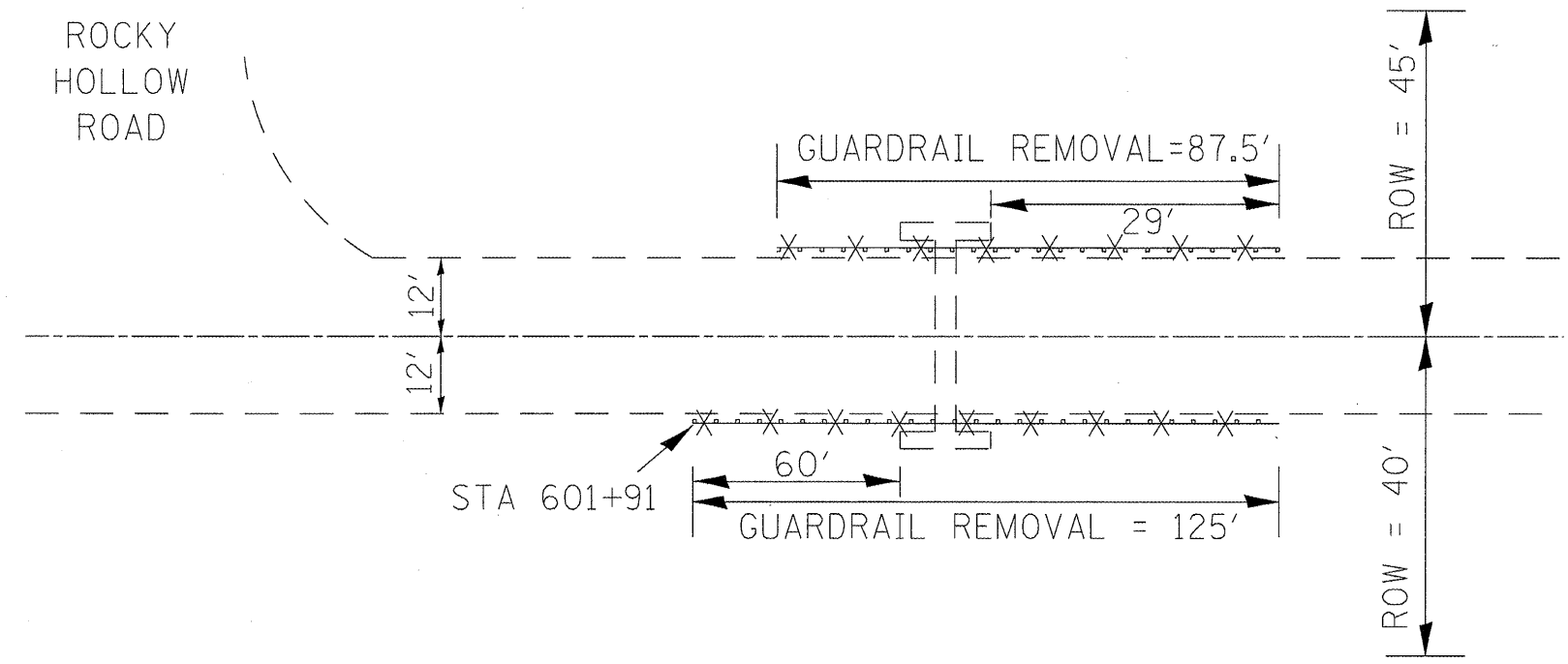


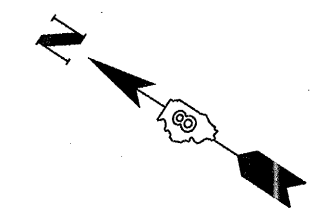
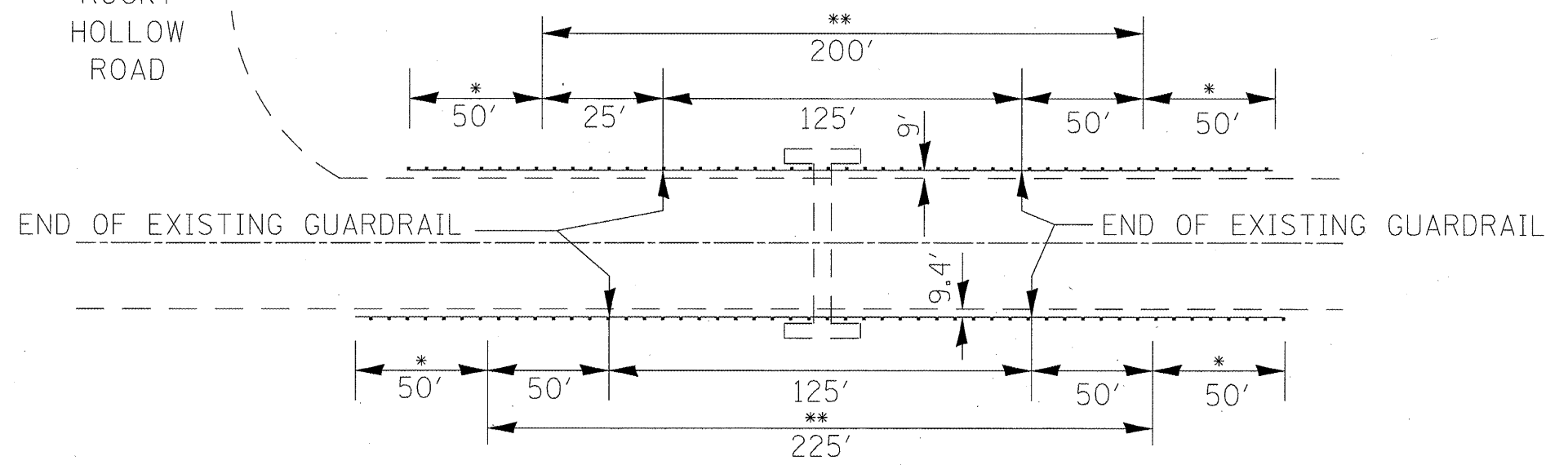
ROCKY HOLLOW ROAD



EXISTING

NOT TO SCALE

ROCKY HOLLOW ROAD



PROPOSED

NOT TO SCALE

FILE NAME =	USER NAME = #USER#	DESIGNED -	REVISED -	STATE OF ILLINOIS DEPARTMENT OF TRANSPORTATION	PLAN SHEET		F.A.P. RTE.	SECTION	COUNTY	TOTAL SHEETS	SHEET NO.
#FILE#		DRAWN -	REVISED -		LOCATION 8 - MM 3.95 (SN 079-2428)		312	122-J	RANDOLPH	93	15
	PLOT SCALE = #SCALE#	CHECKED -	REVISED -		SCALE: _____	SHEET NO. 7 OF 12 SHEETS	STA. _____	TO STA. _____	CONTRACT NO. 76E33		
	PLOT DATE = #DATE#	DATE -	REVISED -		ILLINOIS FED. AID PROJECT						