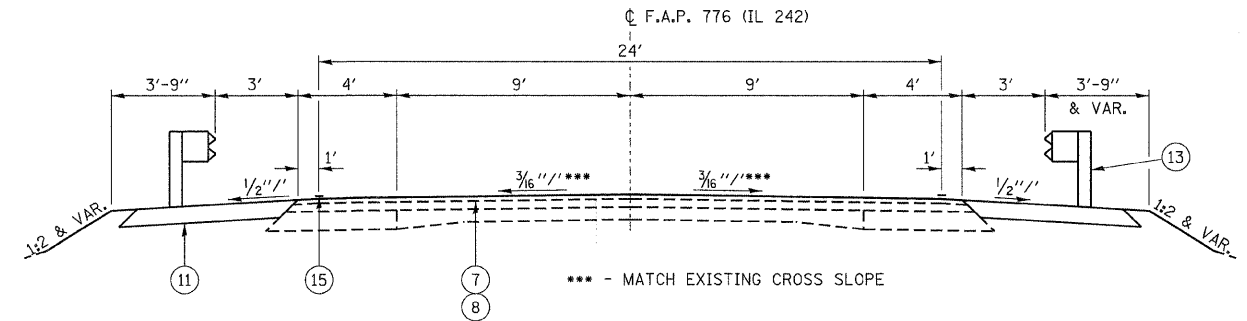


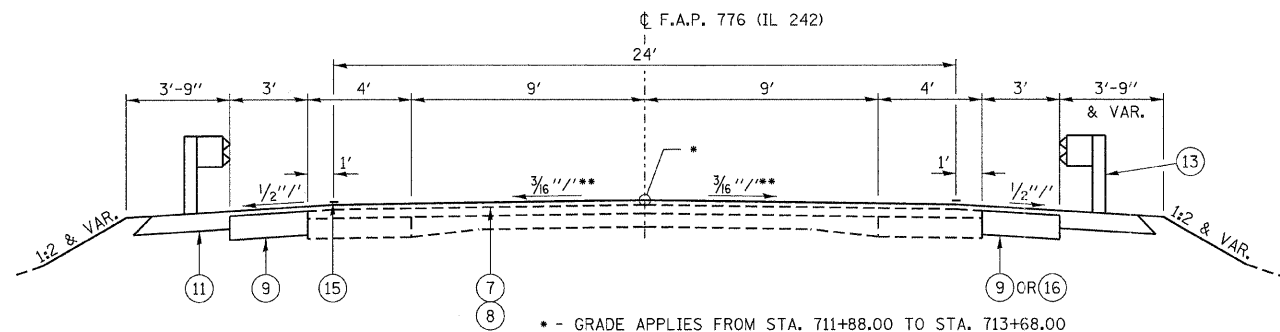
PROPOSED TYPICAL CROSS SECTION

STA. 712+05.00 TO STA. 712+11.00 (PCC CONNECTOR)
 STA. 712+11.00 TO STA. 712+41.00 (APPROACH SLAB)
 STA. 713+19.00 TO STA. 713+49.00 (APPROACH SLAB)
 STA. 713+49.00 TO STA. 713+55.00 (PCC CONNECTOR)



PROPOSED TYPICAL CROSS SECTION

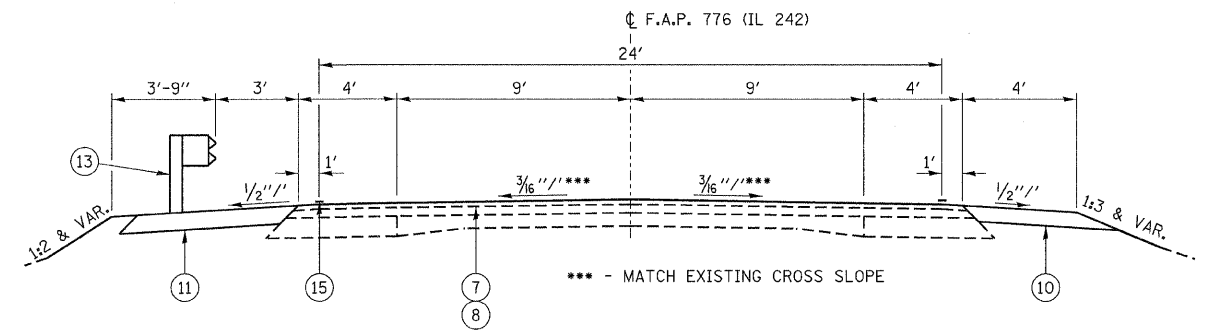
STA. 714+65.00 TO STA. 715+02.13



PROPOSED TYPICAL CROSS SECTION

STA. 713+55.00 TO STA. 714+65.00

• - GRADE APPLIES FROM STA. 711+88.00 TO STA. 713+68.00
 *** - MATCH EXISTING CROSS SLOPE FROM STA. 713+55.00 TO STA. 713+68.00



PROPOSED TYPICAL CROSS SECTION

STA. 715+02.13 TO STA. 715+89.63

LEGEND

- ① EXIST CONCRETE PAVEMENT
- ② EXISTING BASE COURSE WIDENING
- ③ EXISTING HMA OVERLAY
- ④ EXISTING AGGREGATE SHOULDERS
- ⑤ EXISTING PRECAST CONCRETE UNITS
- ⑥ EXISTING PCC PAVEMENT 10"
- ⑦ LEVELING BINDER (MACHINE METHOD), N90 (3/4" MIN)
- ⑧ HOT-MIX ASPHALT SURFACE COURSE, MIX "C", N90 (1 1/2" MIN)
- ⑨ HMA BASE COURSE WIDENING 10 3/4"
- ⑩ AGGREGATE SHOULDERS TYPE A 8"
- ⑪ HMA SHOULDERS TYPE A 8"
- ⑫ BRIDGE APPROACH PAVEMENT CONNECTOR (PCC)
- ⑬ STEEL PLATE BEAM GUARD RAIL, TYPE A, 6 FOOT POST
- ⑭ TRAFFIC BARRIER TERMINAL, TYPE 6
- ⑮ PAVEMENT MARKING
- ⑯ PCC SHOULDERS 8"

FILE NAME = 092039-shl-typesections.dgn	USER NAME =	DESIGNED - L.F.S.	REVISED -	STATE OF ILLINOIS DEPARTMENT OF TRANSPORTATION	HLR	TYPICAL SECTIONS IL 242	F.A.S.	SECTION	COUNTY	TOTAL SHEETS	SHEET NO.
		DRAWN - T.W.K.	REVISED -				776	102B-1	HAMILTON	52	5
		CHECKED - J.W.F.	REVISED -				CONTRACT NO. 78067				
		DATE - 10/09/09	REVISED -				FED. ROAD DIST. NO. ILLINOIS FED. AID PROJECT				
PLOT SCALE =				SCALE:		SHEET NO. 2 OF 2 SHEETS	STA.	TO STA.			
PLOT DATE = 2/22/2011											