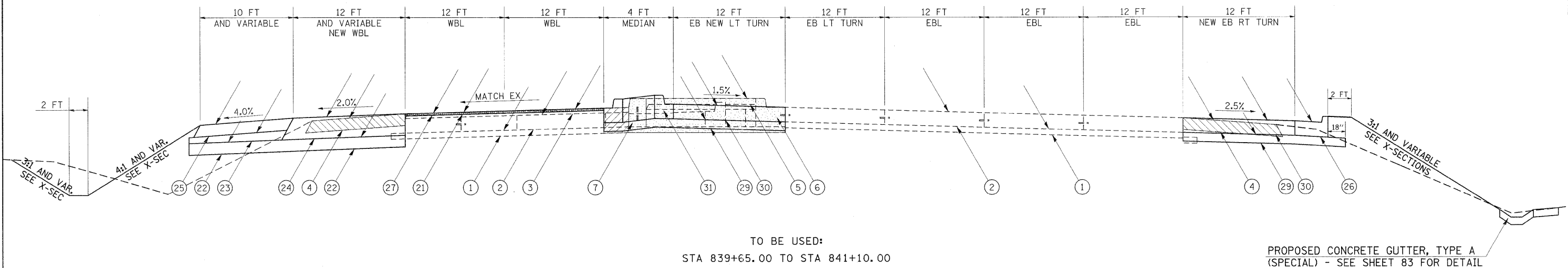


TYPICAL SECTION #3 ADDITIONAL LANES WITH RESURFACING

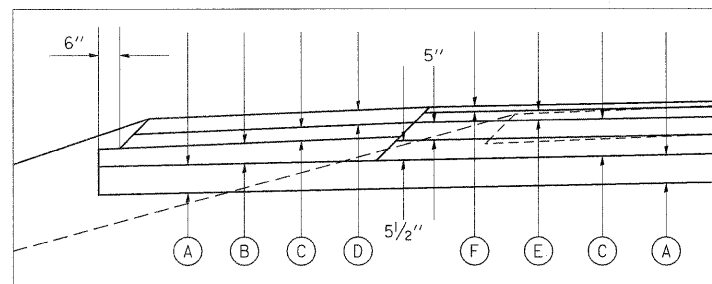
WILLIAMSON COUNTY
FAP 331 (IL 13)
(LOOKING EAST)



TO BE USED:
STA 839+65.00 TO STA 841+10.00

PROPOSED CONCRETE GUTTER, TYPE A
(SPECIAL) - SEE SHEET 83 FOR DETAIL

PAVING DETAIL



- (A) PROPOSED SUBBASE GRANULAR MATERIAL, TYPE A 8"
- (B) PROPOSED SUBBASE GRANULAR MATERIAL, TYPE C
- (C) HOT-MIX ASPHALT BINDER COURSE, N90, IL-19.0*
- (D) HOT-MIX ASPHALT SURFACE COURSE, MIX C, N70 3" MAX*
- (E) POLYMERIZED HMA BINDER COURSE, N105, IL-19.0, 2 3/4"*
- (F) POLYMERIZED HMA SURFACE COURSE, MIX E, N105, 1 1/2"

* FOR INFORMATION ONLY - NOT PAY ITEMS
SEE MIX DESIGN TABLES FOR MORE INFORMATION

LEGEND

- (1) EXISTING SUBBASE GRANULAR MATERIAL, TYPE A 4"
- (2) EXISTING PCC PAVEMENT 10"
- (3) EXISTING HOT-MIX ASPHALT OVERLAY 3 1/4"
- (4) EXISTING HOT-MIX ASPHALT SHOULDER 8"
- (5) EXISTING CONCRETE MEDIAN SURFACE 4"
- (6) EXISTING COMBINATION C&G TYPE B-6.12
- (7) EXISTING BARRIER CURB, SPECIAL
- (8) EXISTING COMBINATION C&G TYPE B-6.24
- (9) EXISTING SOLID MEDIAN, SB-6.06
- (10) EXISTING PCC PAVEMENT 13"
- (11) EXISTING SUBBASE GRANULAR MATERIAL, TYPE A 7"
- (12) PROPOSED PAVEMENT REMOVAL
- (13) PROPOSED PAVED SHOULDER REMOVAL
- (14) PROPOSED COMBINATION C&G REMOVAL
- (15) PROPOSED HMA SURFACE REMOVAL
- (16) PROPOSED MEDIAN REMOVAL
- (17) PROPOSED MEDIAN SURFACE REMOVAL
- (18) PROPOSED HOT-MIX ASPHALT SURFACE REMOVAL, 1 1/2"
- (19) PROPOSED SUBBASE GRANULAR MATERIAL, TYPE A 8"
- (20) PROPOSED SUBBASE GRANULAR MATERIAL, TYPE C
- (21) PROPOSED HOT-MIX ASPHALT PAVEMENT (FULL-DEPTH), 14 3/4"
- (22) PROPOSED HOT-MIX ASPHALT SHOULDERS, 8"
- (23) PROPOSED COMBINATION CONCRETE CURB & GUTTER, TYPE B-6.24
- (24) PROPOSED POLYMERIZED HOT-MIX ASPHALT SURFACE COURSE, MIX "E", N105, 1 1/2"
- (25) PROPOSED CONCRETE MEDIAN SURFACE 4"
- (26) PROPOSED SUBBASE GRANULAR MATERIAL, TYPE A 6"
- (27) PROPOSED PORTLAND CEMENT CONCRETE PAVEMENT 10"
- (28) PROPOSED CONCRETE MEDIAN, TYPE SB-6.06
- (29) PROPOSED PORTLAND CEMENT CONCRETE SIDEWALK, 5"
- (30) PROPOSED HOT-MIX ASPHALT SURFACE REMOVAL, 3 1/4"
- (31) PROPOSED POLYMERIZED LEVELING BINDER (MACHINE METHOD), N105, 1 3/4"

FILE NAME =	USER NAME = thomashf	DESIGNED -	REVISED -	STATE OF ILLINOIS DEPARTMENT OF TRANSPORTATION	TYPICAL SECTIONS FAP 331 (IL 13)	F.A.P. RTE.	SECTION	COUNTY	TOTAL SHEETS	SHEET NO.	
	cr:\pw_work\pwsdot\thomashf\d0157472\78155-sh1-misc.dgn	DRAWN -	REVISED -			331	(1X-1R-1,RS-2,N-2,TS-3	WILLIAMSON	167	10	
	PLOT SCALE = 50.0000' / IN.	CHECKED -	REVISED -			CONTRACT NO. 78155					
	PLOT DATE = 4/19/2011	DATE -	REVISED -			ILLINOIS FED. AID PROJECT					