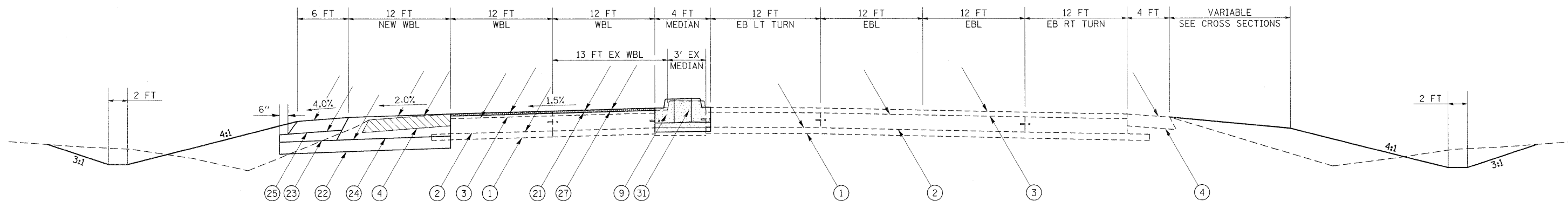


TYPICAL SECTION #17

ADDITIONAL LANES WITH RESURFACING

WILLIAMSON COUNTY
FAP 331 (IL 13)
(LOOKING EAST)

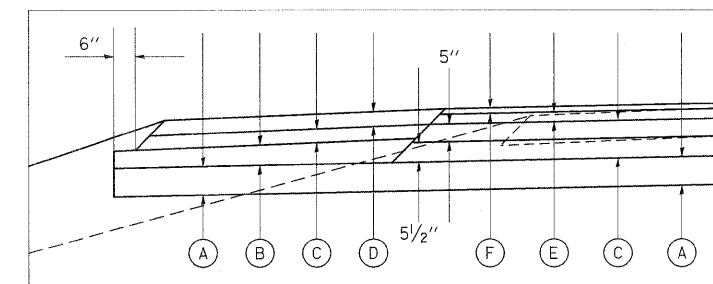


TO BE USED:
STA 858+15.00 TO STA 858+72.77

LEGEND

- | | |
|--|---|
| <ul style="list-style-type: none"> ① EXISTING SUBBASE GRANULAR MATERIAL, TYPE A 4" ② EXISTING PCC PAVEMENT 10" ③ EXISTING HOT-MIX ASPHALT OVERLAY 3/4" ④ EXISTING HOT-MIX ASPHALT SHOULDER 8" ⑤ EXISTING CONCRETE MEDIAN SURFACE 4" ⑥ EXISTING COMBINATION C&G TYPE B-6.12 ⑦ EXISTING BARRIER CURB, SPECIAL ⑧ EXISTING COMBINATION C&G TYPE B-6.24 ⑨ EXISTING SOLID MEDIAN, SB-6.06 ⑩ EXISTING PCC PAVEMENT 13" ⑪ EXISTING SUBBASE GRANULAR MATERIAL, TYPE A 7" | <ul style="list-style-type: none"> ⑫ PROPOSED HOT-MIX ASPHALT SURFACE REMOVAL, 1/2" ⑬ PROPOSED SUBBASE GRANULAR MATERIAL, TYPE A 8" ⑭ PROPOSED SUBBASE GRANULAR MATERIAL, TYPE C ⑮ PROPOSED HOT-MIX ASPHALT PAVEMENT (FULL-DEPTH), 14 3/4" ⑯ PROPOSED HOT-MIX ASPHALT SHOULDERS, 8" ⑰ PROPOSED COMBINATION CONCRETE CURB & GUTTER, TYPE B-6.24 ⑱ PROPOSED POLYMERIZED HOT-MIX ASPHALT SURFACE COURSE, MIX "E", N105, 1/2" ⑲ PROPOSED CONCRETE MEDIAN SURFACE 4" ⑳ PROPOSED SUBBASE GRANULAR MATERIAL, TYPE A 6" ㉑ PROPOSED PORTLAND CEMENT CONCRETE PAVEMENT 10" ㉒ PROPOSED CONCRETE MEDIAN, TYPE SB-6.06 ㉓ PROPOSED PORTLAND CEMENT CONCRETE SIDEWALK, 5" ㉔ PROPOSED HOT-MIX ASPHALT SURFACE REMOVAL, 3/4" ㉕ PROPOSED POLYMERIZED LEVELING BINDER (MACHINE METHOD), N105, 1 3/4" |
|--|---|
-
- | | |
|--|--|
| <ul style="list-style-type: none"> PROPOSED PAVEMENT REMOVAL PROPOSED PAVED SHOULDER REMOVAL PROPOSED COMBINATION C&G REMOVAL PROPOSED HMA SURFACE REMOVAL | <ul style="list-style-type: none"> PROPOSED MEDIAN REMOVAL PROPOSED MEDIAN SURFACE REMOVAL |
|--|--|

PAVING DETAIL



- Ⓐ PROPOSED SUBBASE GRANULAR MATERIAL, TYPE A 8"
- Ⓑ PROPOSED SUBBASE GRANULAR MATERIAL, TYPE C
- Ⓒ HOT-MIX ASPHALT BINDER COURSE, N90, IL-19.0*
- Ⓓ HOT-MIX ASPHALT SURFACE COURSE, MIX C, N70 3" MAX*
- Ⓔ POLYMERIZED HMA BINDER COURSE, N105, IL-19.0, 2 3/4"*
- Ⓕ POLYMERIZED HMA SURFACE COURSE, MIX E, N105, 1/2"

* FOR INFORMATION ONLY - NOT PAY ITEMS
SEE MIX DESIGN TABLES FOR MORE INFORMATION

FILE NAME =	USER NAME = thomashf	DESIGNED -	REVISED -	STATE OF ILLINOIS DEPARTMENT OF TRANSPORTATION	TYPICAL SECTIONS FAP 331 (IL 13)	SCALE:	SHEET NO. OF SHEETS	STA. TO STA.	F.A.P. RTE. 331	SECTION (IX-1R-1,RS-2,N-2,TS-3)	COUNTY WILLIAMSON	TOTAL SHEETS 167	SHEET NO. 24	
cr:\pw_work\pwsdot\thomashf\d0157472\78155-sh1-misc.dgn		DRAWN -	REVISED -											
		CHECKED -	REVISED -											
		DATE -	REVISED -											
												CONTRACT NO. 78155		
												ILLINOIS FED. AID PROJECT		