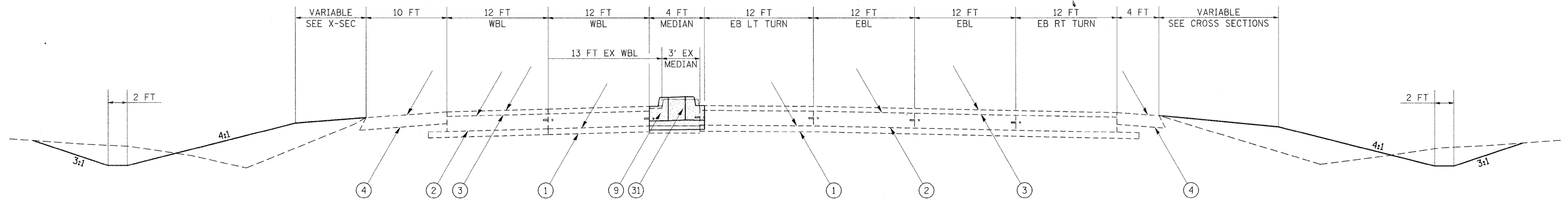


TYPICAL SECTION #18

ADDITIONAL LANES WITH RESURFACING

WILLIAMSON COUNTY
FAP 331 (IL 13)
(LOOKING EAST)



TO BE USED:
STA 858+72.77 TO STA 859+49.26

LEGEND

- | | |
|--|---|
| <ul style="list-style-type: none"> ① EXISTING SUBBASE GRANULAR MATERIAL, TYPE A 4" ② EXISTING PCC PAVEMENT 10" ③ EXISTING HOT-MIX ASPHALT OVERLAY 3/4" ④ EXISTING HOT-MIX ASPHALT SHOULDER 8" ⑤ EXISTING CONCRETE MEDIAN SURFACE 4" ⑥ EXISTING COMBINATION C&G TYPE B-6.12 ⑦ EXISTING BARRIER CURB, SPECIAL ⑧ EXISTING COMBINATION C&G TYPE B-6.24 ⑨ EXISTING SOLID MEDIAN, SB-6.06 ⑩ EXISTING PCC PAVEMENT 13" ⑪ EXISTING SUBBASE GRANULAR MATERIAL, TYPE A 7" | <ul style="list-style-type: none"> ⑫ PROPOSED HOT-MIX ASPHALT SURFACE REMOVAL, 1 1/2" ⑬ PROPOSED SUBBASE GRANULAR MATERIAL, TYPE A 8" ⑭ PROPOSED SUBBASE GRANULAR MATERIAL, TYPE C ⑮ PROPOSED HOT-MIX ASPHALT PAVEMENT (FULL-DEPTH), 14 3/4" ⑯ PROPOSED HOT-MIX ASPHALT SHOULDERS, 8" ⑰ PROPOSED COMBINATION CONCRETE CURB & GUTTER, TYPE B-6.24 ⑱ PROPOSED POLYMERIZED HOT-MIX ASPHALT SURFACE COURSE, MIX "E", N105, 1 1/2" ⑲ PROPOSED CONCRETE MEDIAN SURFACE 4" ⑳ PROPOSED SUBBASE GRANULAR MATERIAL, TYPE A 6" ㉑ PROPOSED PORTLAND CEMENT CONCRETE PAVEMENT 10" ㉒ PROPOSED CONCRETE MEDIAN, TYPE SB-6.06 ㉓ PROPOSED PORTLAND CEMENT CONCRETE SIDEWALK, 5" ㉔ PROPOSED HOT-MIX ASPHALT SURFACE REMOVAL, 3/4" ㉕ PROPOSED POLYMERIZED LEVELING BINDER (MACHINE METHOD), N105, 1 3/4" |
|--|---|
-
- | | |
|--|--|
| <ul style="list-style-type: none"> PROPOSED PAVEMENT REMOVAL PROPOSED PAVED SHOULDER REMOVAL PROPOSED COMBINATION C&G REMOVAL PROPOSED HMA SURFACE REMOVAL | <ul style="list-style-type: none"> PROPOSED MEDIAN REMOVAL PROPOSED MEDIAN SURFACE REMOVAL |
|--|--|

FILE NAME =	USER NAME = thomashf	DESIGNED -	REVISED -	STATE OF ILLINOIS DEPARTMENT OF TRANSPORTATION	TYPICAL SECTIONS FAP 331 (IL 13)	F.A.P. RTE.	SECTION	COUNTY	TOTAL SHEETS	SHEET NO.	
		DRAWN -	REVISED -			331	(1X-1R-1,RS-2,N-2,TS-3	WILLIAMSON	167	25	
		CHECKED -	REVISED -			CONTRACT NO. 78155					
		DATE -	REVISED -			ILLINOIS FED. AID PROJECT					
				SCALE:		SHEET NO. OF SHEETS		STA. TO STA.			