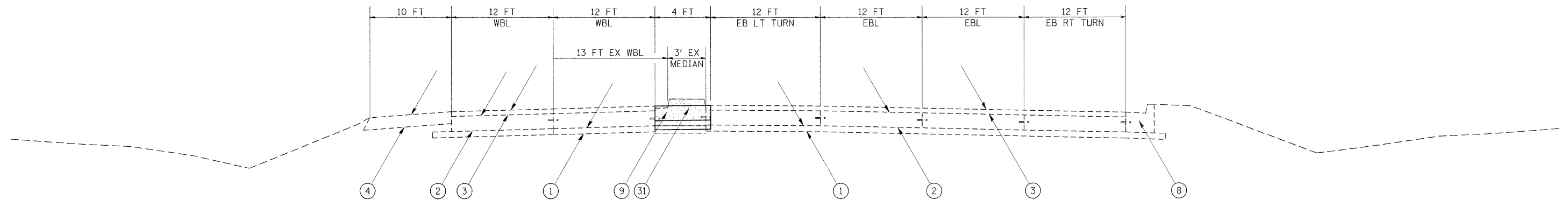


# TYPICAL SECTION #19

## ADDITIONAL LANES WITH RESURFACING

WILLIAMSON COUNTY  
FAP 331 (IL 13)  
(LOOKING EAST)



TO BE USED:  
STA 859+49.26 TO STA 859+90.00

### LEGEND

- |  |   |
|--|---|
| <ul style="list-style-type: none"> <li>① EXISTING SUBBASE GRANULAR MATERIAL, TYPE A 4"</li> <li>② EXISTING PCC PAVEMENT 10"</li> <li>③ EXISTING HOT-MIX ASPHALT OVERLAY 3/4"</li> <li>④ EXISTING HOT-MIX ASPHALT SHOULDER 8"</li> <li>⑤ EXISTING CONCRETE MEDIAN SURFACE 4"</li> <li>⑥ EXISTING COMBINATION C&amp;G TYPE B-6.12</li> <li>⑦ EXISTING BARRIER CURB, SPECIAL</li> <li>⑧ EXISTING COMBINATION C&amp;G TYPE B-6.24</li> <li>⑨ EXISTING SOLID MEDIAN, SB-6.06</li> <li>⑩ EXISTING PCC PAVEMENT 13"</li> <li>⑪ EXISTING SUBBASE GRANULAR MATERIAL, TYPE A 7"</li> </ul> | <ul style="list-style-type: none"> <li>⑫ PROPOSED PAVEMENT REMOVAL</li> <li>⑬ PROPOSED PAVED SHOULDER REMOVAL</li> <li>⑭ PROPOSED COMBINATION C&amp;G REMOVAL</li> <li>⑮ PROPOSED HMA SURFACE REMOVAL</li> <li>⑯ PROPOSED HOT-MIX ASPHALT SURFACE REMOVAL, 1 1/2"</li> <li>⑰ PROPOSED SUBBASE GRANULAR MATERIAL, TYPE A 8"</li> <li>⑱ PROPOSED SUBBASE GRANULAR MATERIAL, TYPE C</li> <li>⑲ PROPOSED HOT-MIX ASPHALT PAVEMENT (FULL-DEPTH), 14 3/4"</li> <li>⑳ PROPOSED HOT-MIX ASPHALT SHOULDERS, 8"</li> <li>㉑ PROPOSED COMBINATION CONCRETE CURB &amp; GUTTER, TYPE B-6.24</li> <li>㉒ PROPOSED POLYMERIZED HOT-MIX ASPHALT SURFACE COURSE, MIX "E", N105, 1 1/2"</li> <li>㉓ PROPOSED CONCRETE MEDIAN SURFACE 4"</li> <li>㉔ PROPOSED SUBBASE GRANULAR MATERIAL, TYPE A 6"</li> <li>㉕ PROPOSED PORTLAND CEMENT CONCRETE PAVEMENT 10"</li> <li>㉖ PROPOSED CONCRETE MEDIAN, TYPE SB-6.06</li> <li>㉗ PROPOSED PORTLAND CEMENT CONCRETE SIDEWALK, 5"</li> <li>㉘ PROPOSED HOT-MIX ASPHALT SURFACE REMOVAL, 3/4"</li> <li>㉙ PROPOSED POLYMERIZED LEVELING BINDER (MACHINE METHOD), N105, 1 3/4"</li> <li>㉚ PROPOSED MEDIAN REMOVAL</li> <li>㉛ PROPOSED MEDIAN SURFACE REMOVAL</li> </ul> |
|--|---|

FILE NAME =	USER NAME = thomashf	DESIGNED -	REVISED -	<b>STATE OF ILLINOIS DEPARTMENT OF TRANSPORTATION</b>	<b>TYPICAL SECTIONS FAP 331 (IL 13)</b>			F.A.P. RTE.	SECTION	COUNTY	TOTAL SHEETS	SHEET NO.
ci:\pw_work\p\dot\thomashf\d0157472\78155-sht-misc.dgn		DRAWN -	REVISED -		331	(1X-1)R-1,RS-2,N-2,TS-3	WILLIAMSON	167	26			
PLOT SCALE = 50,0000' / IN.		CHECKED -	REVISED -		SCALE:      SHEET NO.      OF      SHEETS      STA.      TO STA.			CONTRACT NO. 78155				
PLOT DATE = 4/19/2011		DATE -	REVISED -		ILLINOIS FED. AID PROJECT							