
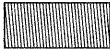


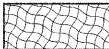

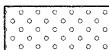

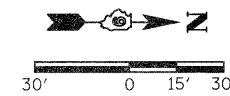
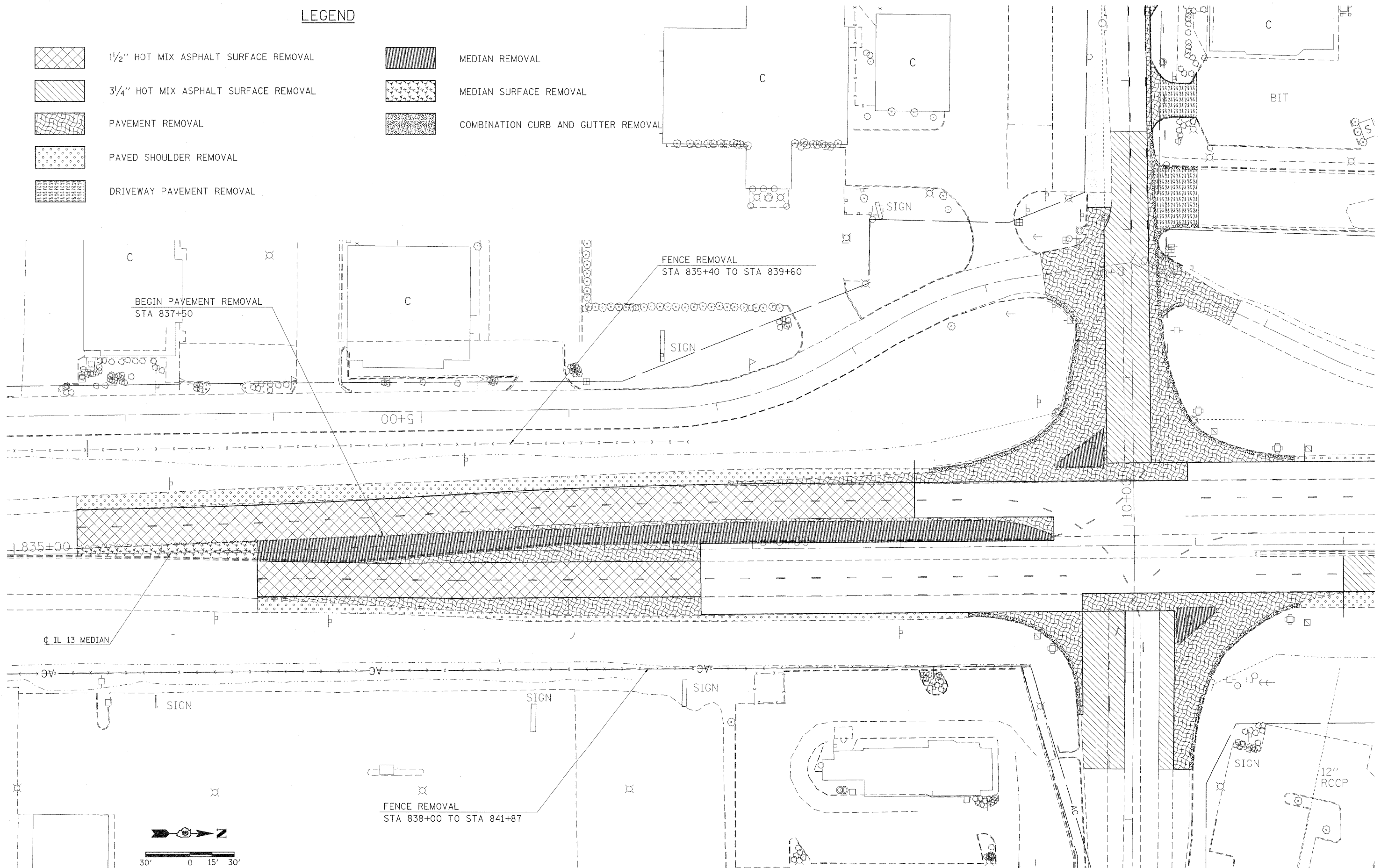


LEGEND

- | | | | |
|---|--------------------------------------|--|-------------------------------------|
|  | 1/2" HOT MIX ASPHALT SURFACE REMOVAL |  | MEDIAN REMOVAL |
|  | 3/4" HOT MIX ASPHALT SURFACE REMOVAL |  | MEDIAN SURFACE REMOVAL |
|  | PAVEMENT REMOVAL |  | COMBINATION CURB AND GUTTER REMOVAL |
|  | PAVED SHOULDER REMOVAL | | |
|  | DRIVEWAY PAVEMENT REMOVAL | | |



FILE NAME = c:\pwork\pwork\thomashf\d0157472\shtr	USER NAME = thomashf removal.dgn	DESIGNED - DRAWN -	REVISED - REVISED -	STATE OF ILLINOIS DEPARTMENT OF TRANSPORTATION	REMOVAL PLAN IL 13 / CARBON STREET				F.A.P. RTE. 331	SECTION (1X-1R-1,RS-2,N-2,TS-3)	COUNTY WILLIAMSON	TOTAL SHEETS 167	SHEET NO. 46
	PLOT SCALE = 30.0000' / IN.	CHECKED -	REVISED -		SCALE: 1"=30'	SHEET NO.	OF	SHEETS	STA.	TO STA.	CONTRACT NO. 78155		
	PLOT DATE = 3/21/2011	DATE -	REVISED -		ILLINOIS FED. AID PROJECT								