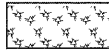
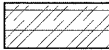
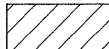
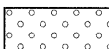






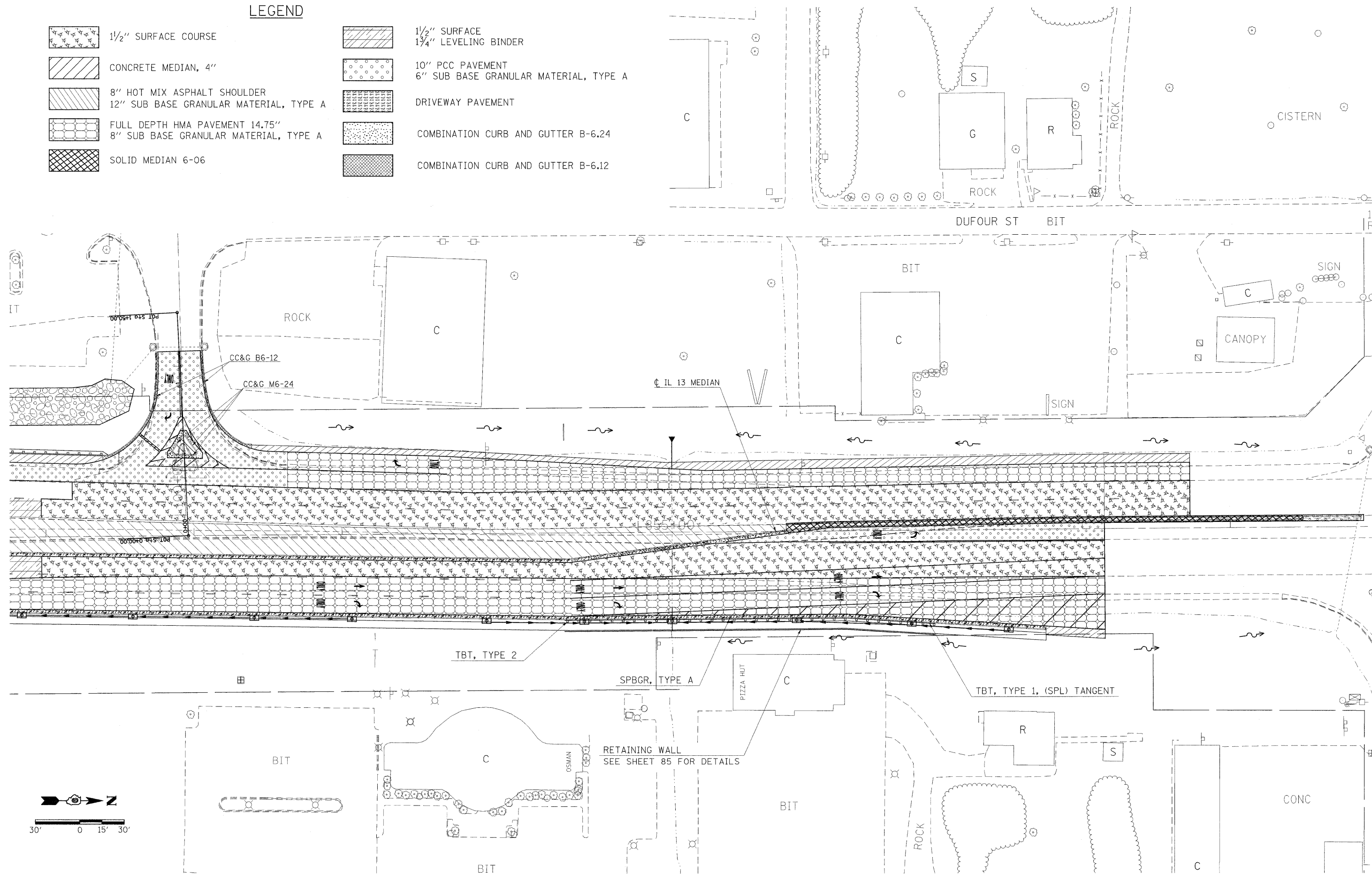


LEGEND

- | | | | |
|---|---|---|---|
|  | 1/2" SURFACE COURSE |  | 1/2" SURFACE
1 3/4" LEVELING BINDER |
|  | CONCRETE MEDIAN, 4" |  | 10" PCC PAVEMENT
6" SUB BASE GRANULAR MATERIAL, TYPE A |
|  | 8" HOT MIX ASPHALT SHOULDER
12" SUB BASE GRANULAR MATERIAL, TYPE A |  | DRIVEWAY PAVEMENT |
|  | FULL DEPTH HMA PAVEMENT 14.75"
8" SUB BASE GRANULAR MATERIAL, TYPE A |  | COMBINATION CURB AND GUTTER B-6.24 |
|  | SOLID MEDIAN 6-06 |  | COMBINATION CURB AND GUTTER B-6.12 |



FILE NAME =	USER NAME = thomashf	DESIGNED -	REVISED -	STATE OF ILLINOIS DEPARTMENT OF TRANSPORTATION	CONSTRUCTION PLAN IL 13			F.A.P. RTE. 331	SECTION (IX-1)R-1,RS-2,N-2,TS-3	COUNTY WILLIAMSON	TOTAL SHEETS 167	SHEET NO. 52
cr:\pwork\pwork\thomashf\08157472\shtr	remove1.dgn	DRAWN -	REVISED -		SCALE: 1"=30'	SHEET NO.	OF	SHEETS	STA.	TO STA.	CONTRACT NO. 78155	
	PLOT SCALE = 30.0000' / IN.	CHECKED -	REVISED -								ILLINOIS FED. AID PROJECT	
	PLOT DATE = 4/19/2011	DATE -	REVISED -									