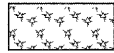


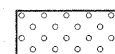
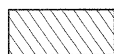


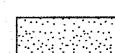




LEGEND

-  1/2" SURFACE COURSE
-  1 1/2" SURFACE
1 3/4" LEVELING BINDER
-  CONCRETE MEDIAN, 4"
-  10" PCC PAVEMENT
6" SUB BASE GRANULAR MATERIAL, TYPE A
-  8" HOT MIX ASPHALT SHOULDER
12" SUB BASE GRANULAR MATERIAL, TYPE A
-  DRIVEWAY PAVEMENT
-  FULL DEPTH HMA PAVEMENT 14.75"
8" SUB BASE GRANULAR MATERIAL, TYPE A
-  COMBINATION CURB AND GUTTER B-6.24
-  SOLID MEDIAN 6-06
-  COMBINATION CURB AND GUTTER B-6.12

FILE NAME =	USER NAME = thomashf	DESIGNED -	REVISED -	STATE OF ILLINOIS DEPARTMENT OF TRANSPORTATION	CONSTRUCTION PLAN CARBON STREET	F.A.P. RTE. 331	SECTION (1X-1R-1,RS-2,N-2,TS-3)	COUNTY WILLIAMSON	TOTAL SHEETS 167	SHEET NO. 53	
ct:\pwork\pwidot\thomashf\d0157472\shtr-removal.dgn		DRAWN -	REVISED -			SCALE: 1"=30' SHEET NO. OF SHEETS STA. TO STA.					
		CHECKED -	REVISED -			CONTRACT NO. 78155					
		DATE -	REVISED -			ILLINOIS FED. AID PROJECT					