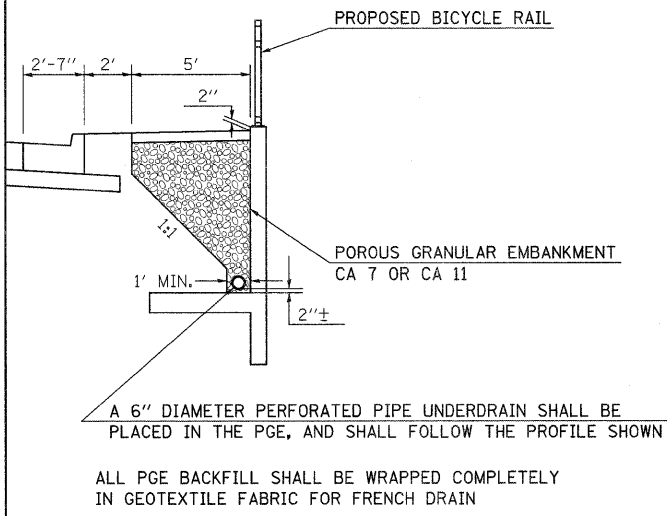


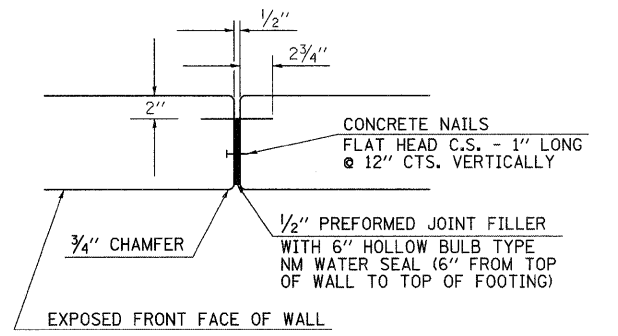
**PIPE UNDERDRAIN & BACKFILL DETAIL**



A 6" DIAMETER PERFORATED PIPE UNDERDRAIN SHALL BE PLACED IN THE PGE, AND SHALL FOLLOW THE PROFILE SHOWN

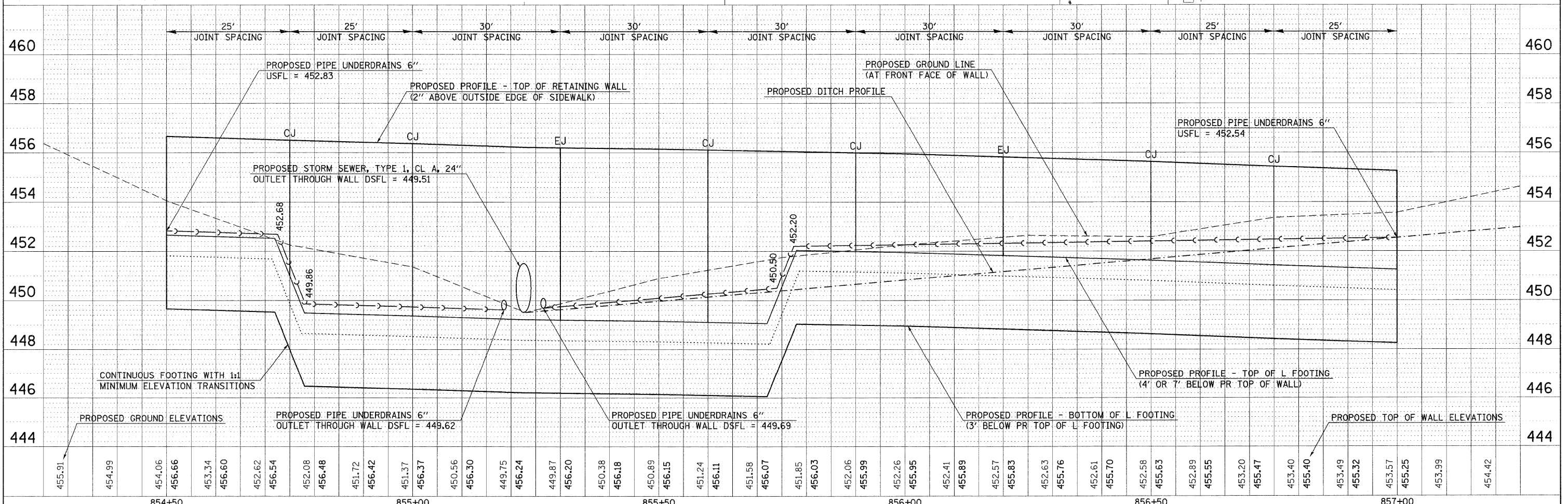
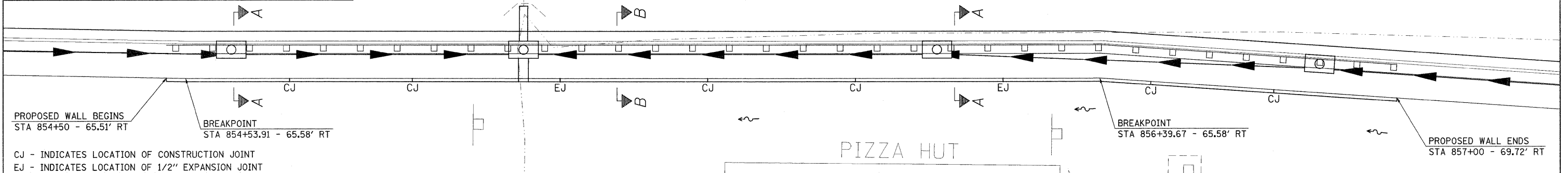
ALL PGE BACKFILL SHALL BE WRAPPED COMPLETELY IN GEOTEXTILE FABRIC FOR FRENCH DRAIN

**EXPANSION JOINT DETAIL**



DATE: \_\_\_\_\_ BY: \_\_\_\_\_  
 SURVEYED: \_\_\_\_\_  
 ALIGNMENT CHECKED: \_\_\_\_\_  
 RT OF WALL CHECKED: \_\_\_\_\_  
 NO. \_\_\_\_\_  
 PROFILE: \_\_\_\_\_  
 GRADES CHECKED: \_\_\_\_\_  
 B.M. NOTED: \_\_\_\_\_  
 STRUCTURE NOTETAGS C/PK: \_\_\_\_\_  
 NO. \_\_\_\_\_

DATE: \_\_\_\_\_ BY: \_\_\_\_\_  
 SURVEYED: \_\_\_\_\_  
 GRADES CHECKED: \_\_\_\_\_  
 B.M. NOTED: \_\_\_\_\_  
 STRUCTURE NOTETAGS C/PK: \_\_\_\_\_  
 NO. \_\_\_\_\_



FILE NAME = c:\pw_work\pwork\thomash\0157472\78155-shr-details.dgn	DESIGNED -	REVISD -	<b>STATE OF ILLINOIS DEPARTMENT OF TRANSPORTATION</b>	<b>RETAINING WALL PLAN AND PROFILE</b>		F.A.P. RTE. 331	SECTION (1X-1R-1,RS-2,N-2,TS-3)	COUNTY WILLIAMSON	TOTAL SHEETS 167	SHEET NO. 85A	
PLOT SCALE = 10.0000' / IN.	DRAWN -	REVISD -		SCALE:	SHEET NO. OF SHEETS STA. TO STA.	ILLINOIS FED. AID PROJECT					
PLOT DATE = 4/21/2011	CHECKED -	REVISD -		CONTRACT NO. 78155							
	DATE -	REVISD -									