

# DETAIL OF DETECTOR LOOPS

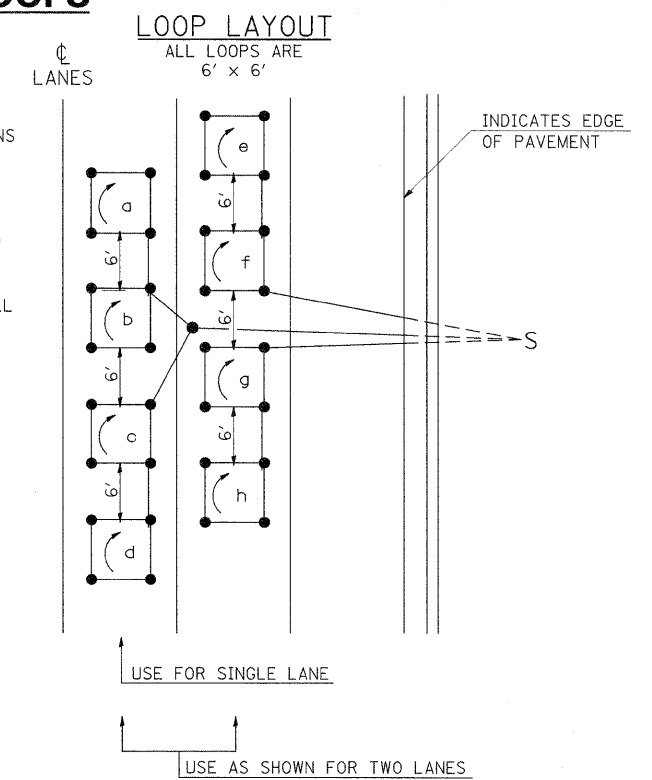
## NOTES

(APPLIES TO 6' x 6' LOOPS ONLY)

1. THE DETECTOR LOOPS SHALL BE TYPE 1. EACH DETECTOR LOOP SHALL HAVE 3 TURNS OF LOOP WIRE AND BE INSTALLED IN ACCORDANCE WITH THE APPLICABLE PORTIONS OF SECTION 886 OF THE STANDARD SPECIFICATIONS FOR TRAFFIC CONTROL ITEMS.
2. BEGINNING LEAD WIRES SHALL BE CONNECTED TO THE BLACK LEAD AND THE ENDING LEAD WIRES SHALL BE CONNECTED TO THE WHITE LEAD OF THE TWIN TWISTED FEED CABLES AT THE SPLICE POINT.
3. WHERE THE LOOPS ARE INSTALLED PRIOR TO RESURFACING, THE LOOP CORNERS SHALL BE DIAGONALLY CUT.

## LOOP LEGEND

- (C) CLOCKWISE ROTATION FOR LOOP WIRES
- S INDICATES SPLICE POINT FOR DETECTOR LOOP LEAD
- INDICATES 2" CORE-DRILL

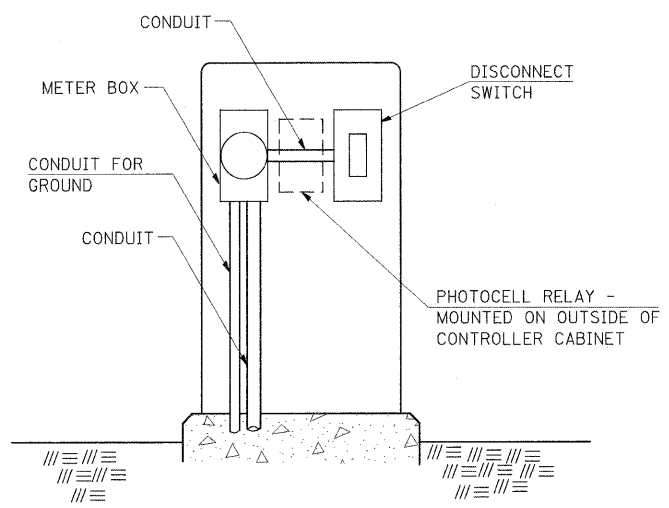


DETAIL 6' x 6' DETECTOR LOOPS

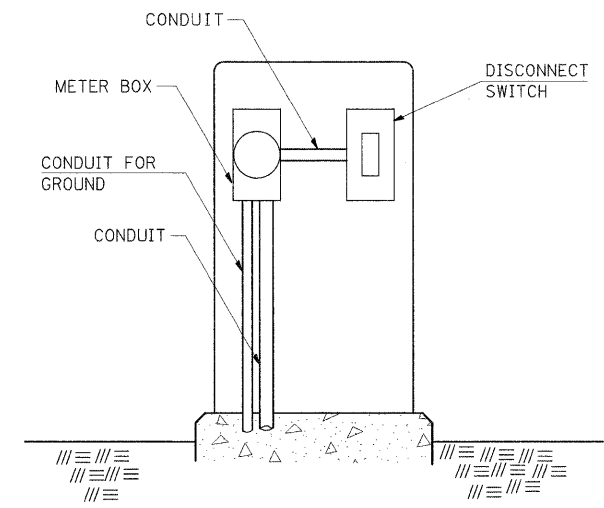
REVISIONS	
REDRAWN	5-13-02
REVISED	10-27-05
REVISED	3-26-08
REVISED	

STD. 9-92

# SERVICE INSTALLATION DETAILS



SERVICE INSTALLATION (SPECIAL)  
WITH PHOTOCELL RELAY



SERVICE INSTALLATION (SPECIAL)

**NOTE:**  
MATERIAL AND SIZE OF CONDUIT  
AND CABLE AS REQUIRED BY  
UTILITY COMPANY

REVISIONS	
DRAWN	1-31-90
REVISED	2-24-92
RESIZED	5-7-08

STD. 9-68

STATE OF ILLINOIS  
DEPARTMENT OF TRANSPORTATION

DETAILS - DETECTOR LOOPS, AND SERVICE INSTALLATION

FILE NAME =	USER NAME = thomashf	DESIGNED -	REVISED -	SCALE: SHEET NO. OF SHEETS STA. TO STA.	F.A. RTE. 331 SECTION (1X-1)R-1,RS-2,N-2,TS-3 COUNTY WILLIAMSON TOTAL SHEETS 167 SHEET NO. 93 CONTRACT NO. 78155 ILLINOIS FED. AID PROJECT
ct:\pw_work\pwidth\thomashf\d0157472\78155	5-sht-details.dgn	DRAWN -	REVISED -		
	PLOT SCALE = 50.0000' / IN.	CHECKED -	REVISED -		
	PLOT DATE = 5/5/2011	DATE -	REVISED -		