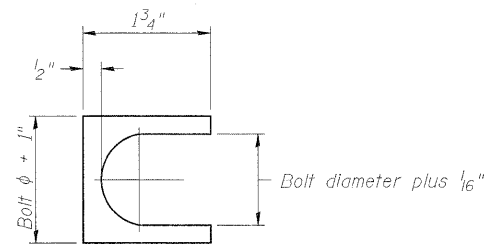


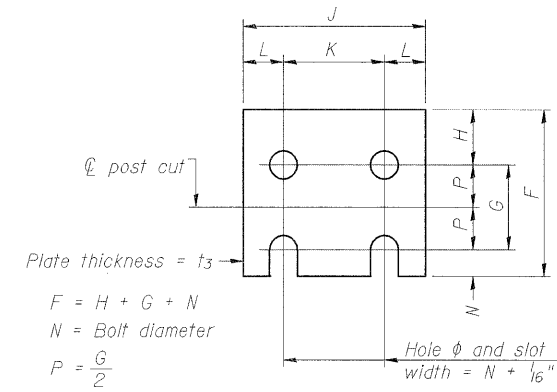
ELEVATION

0.15W	2 spaces at 0.35W	0.15W	for 3 posts
0.125W	3 spaces at 0.25W	0.125W	for 4 posts
0.1W	4 spaces at 0.2W	0.1W	for 5 posts
0.1W	5 spaces at 0.16W	0.1W	for 6 posts
0.08W	6 spaces at 0.14W	0.08W	for 7 posts



SHIM DETAIL

Furnish two 0.01" thick and two 0.03" thick stainless steel or brass (ASTM B36) shims per post.

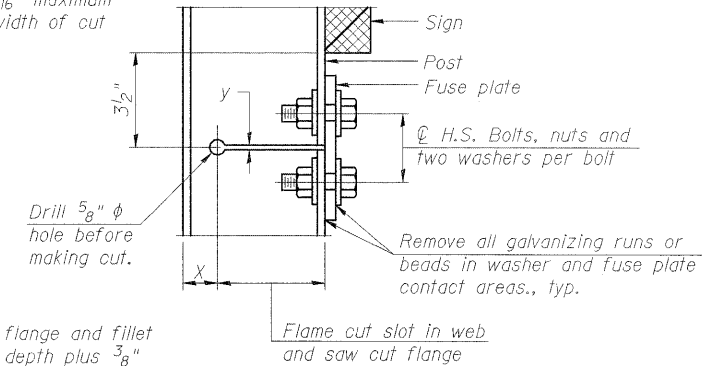


FUSE PLATE DETAIL

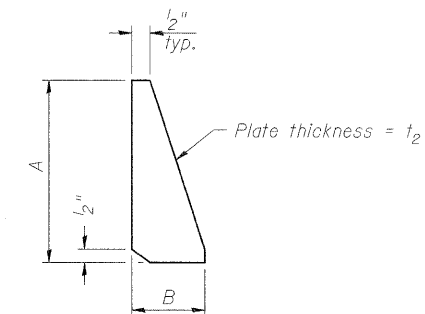
(Install with notches down.)

N = Bolt Diameter	G	H
1/2"	2"	1 1/8"
5/8"	2 1/4"	1 1/4"
3/4"	2 1/2"	1 3/8"
7/8"	2 3/4"	1 1/2"
1"	3"	1 5/8"
1 1/8"	3 1/4"	1 3/4"
1 1/4"	3 1/2"	1 7/8"

y = 3/16" maximum width of cut



DETAIL H



STIFFENER PLATE DETAIL

GENERAL NOTES

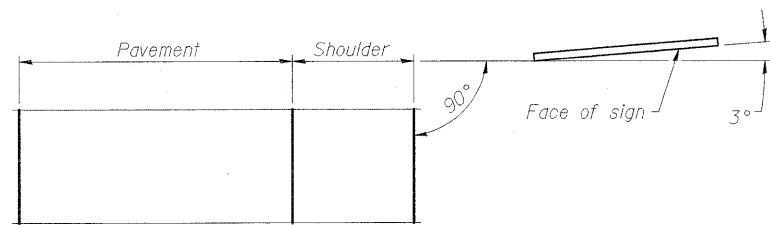
Posts shall be plumbed by using shims with post-to-stub post connection bolts snug tight only. Final tightening of all High Strength Bolts shall be in accordance with Article 727.05 and threads at the junction of the bolt and nut shall be burred or center punched to prevent the nut from loosening.

LOADING: 80 m.p.h. wind with 30% gust factor, normal to sign.

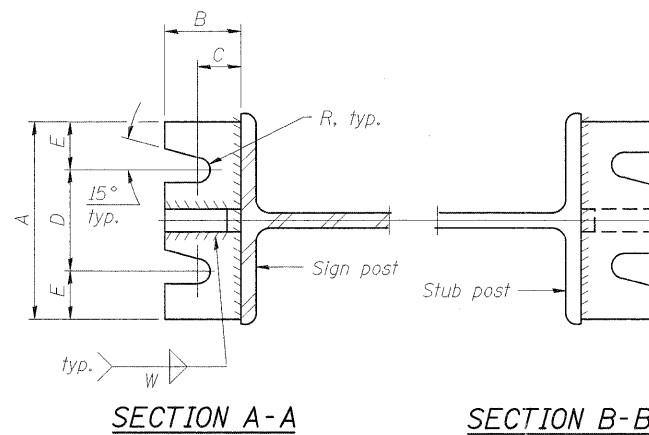
DESIGN STRESSES:
Structural steel - 20,000 p.s.i.
Reinforcing steel - 20,000 p.s.i.
Concrete - 1,400 p.s.i.
Footing soil pressure - 2,000 p.s.f.

After fabrication, the post, fuse plate and upper 6", min. of the stub post shall be hot-dip galvanized in accordance with AASHTO M111. All bolts, nuts and washers shall be hot-dip galvanized in accordance with AASHTO M232.

Work this sheet with Base Sheet BAW-A-2.

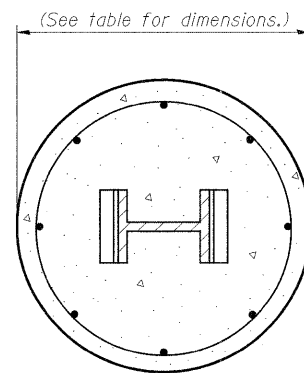


LOCATION SKETCH

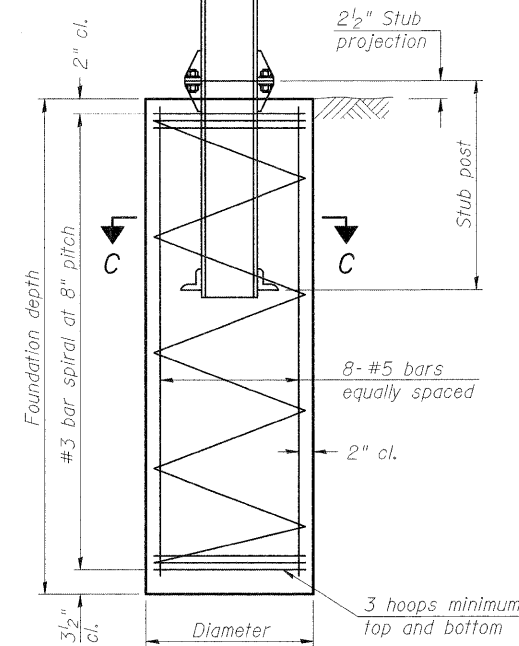


SECTION A-A

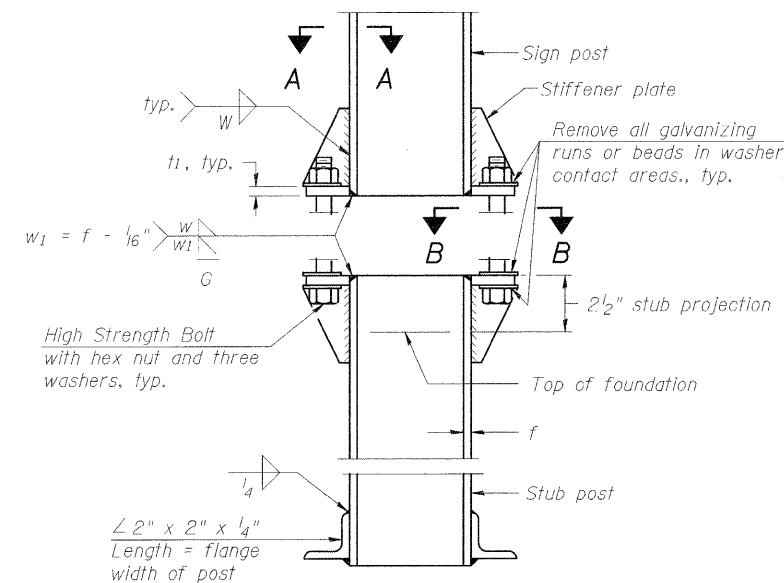
SECTION B-B



SECTION C-C



SECTION D-D



ELEVATION SIGN POST & STUB POST

BAW-A-1

1-20-11

(Sheet 1 of 2)

FILE NAME =	USER NAME = thomashf	DESIGNED -	REVISED -	STATE OF ILLINOIS DEPARTMENT OF TRANSPORTATION	BREAK-AWAY WIDE FLANGE STEEL SIGN POST DETAILS	F.A.P. RTE.	SECTION	COUNTY	TOTAL SHEETS	SHEET NO.	
ct:\pw_work\pwidot\thomashf\d0157472\7815	5-sht-details.dgn	DRAWN -	REVISED -			331	(1X-1R-1,RS-2,N-2,TS-3)	WILLIAMSON	167	95	
PLOT SCALE = 50,0000' / IN.		CHECKED -	REVISED -			CONTRACT NO. 78155					
PLOT DATE = 5/5/2011		DATE -	REVISED -			ILLINOIS FED. AID PROJECT					
SCALE:	SHEET NO.	OF	SHEETS	STA.	TO STA.						