

STRUCTURAL DESIGN TRAFFIC: YEAR 2019  
 PV = 162 SU = 92 MU = 66 AADT=1320

ROAD/STREET CLASSIFICATION: CLASS III

PERCENT OF STRUCTURAL DESIGN TRAFFIC IN DESIGN LANE:  
 P = 88% S = 7% M = 5%

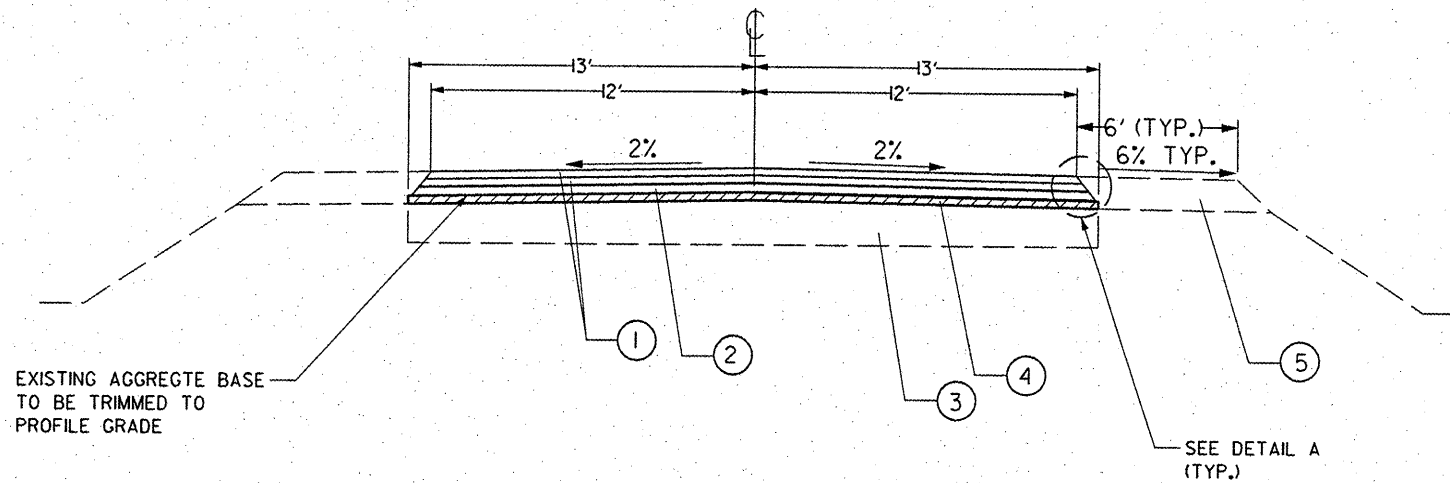
TRAFFIC FACTOR: ACTUAL TF = 0.356  
 MIN TF = N/A

PG GRADE: BINDER = PG 64-22  
 SURFACE = PG 64-22

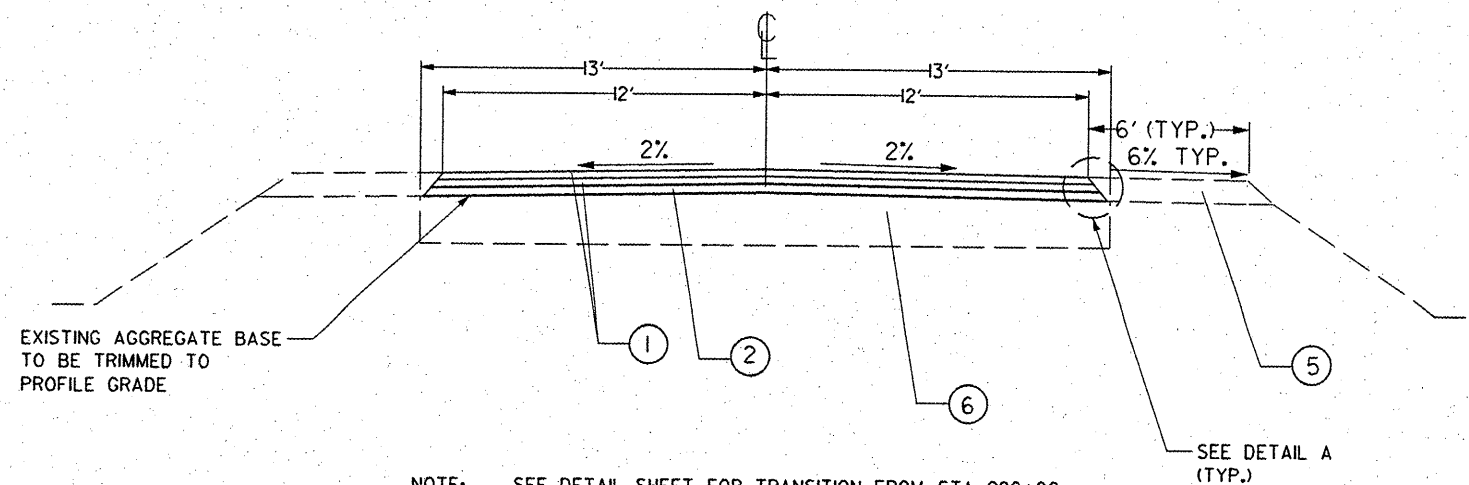
SUBGRADE SUPPORT RATING: SSR = GRANULAR

CONTRACT NO. 89596				
F.A. RTE.	SECTION	COUNTY	TOTAL SHEETS	SHEET NO.
358	86-00075-04-PV	WOODFORD	33	3
STA.		TO STA.		
FED. ROAD DIST. NO. 4		ILLINOIS FED. AID PROJECT		

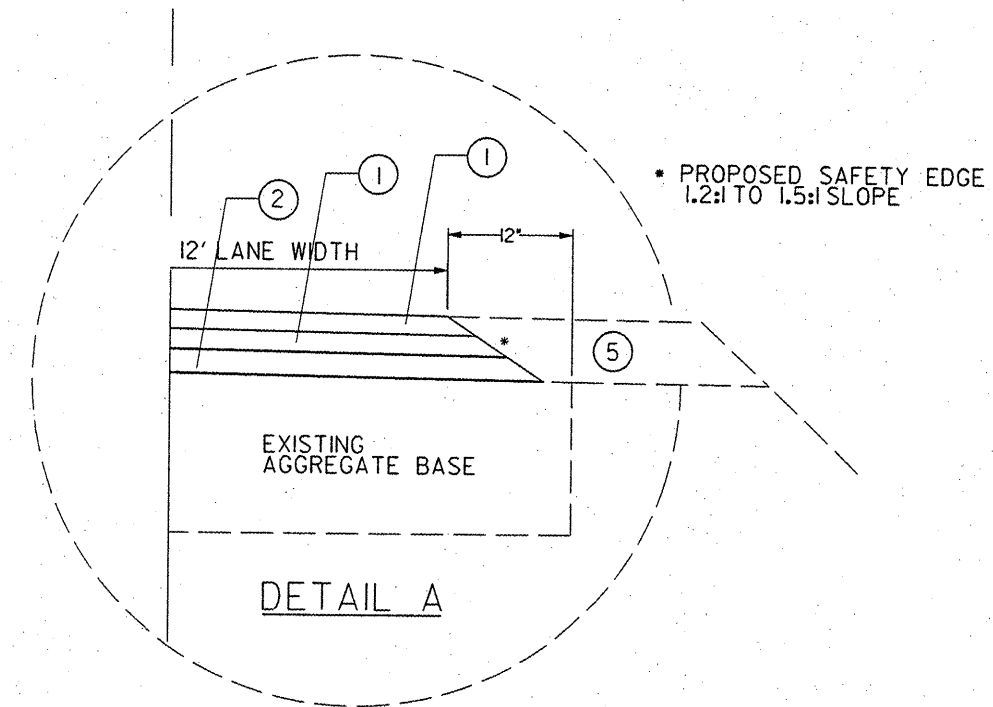
CH #1 TYPICAL SECTION  
 STA. 11+31.10 TO STA. 163+70



CH #1 TYPICAL SECTION  
 STA. 163+70 TO STA. 280+00



NOTE: SEE DETAIL SHEET FOR TRANSITION FROM STA. 280+00 TO STA. 284+05



- ① HOT-MIX ASPHALT SURFACE COURSE IL-9.5, MIX "C", N50, 1 1/2"
- ② HOT-MIX ASPHALT BINDER COURSE IL-19.0, N50, 3"
- ③ EXISTING AGGREGATE BASE (ASPHALT MILLINGS)
- ④ SUBBASE GRANULAR MATERIAL (ASPHALT MILLINGS)- BY OTHERS
- ⑤ AGGREGATE SHOULDERS TYPE B. (BY OTHERS)
- ⑥ EXISTING AGGREGATE BASE (GRAVEL)

PLOT DATE  
 FILE NAME  
 USER NAME

WOODFORD COUNTY  
 HIGHWAY DEPARTMENT  
 JONATHAN HODEL, P.E., COUNTY ENGINEER  
 301 S. Main St.,  
 Roonoke, IL 61561-0467  
 TEL: 309-923-2891  
 FAX: 309-923-7928

F. A. S. RTE. 358  
 SECTION 86-00075-04-PV  
 COUNTY HIGHWAY #1 (1400 E)  
 TYPICAL SECTION  
 SCALE:  
 DATE: 04/12/2011  
 DRAWN BY: BJH  
 CHECKED BY: JJH