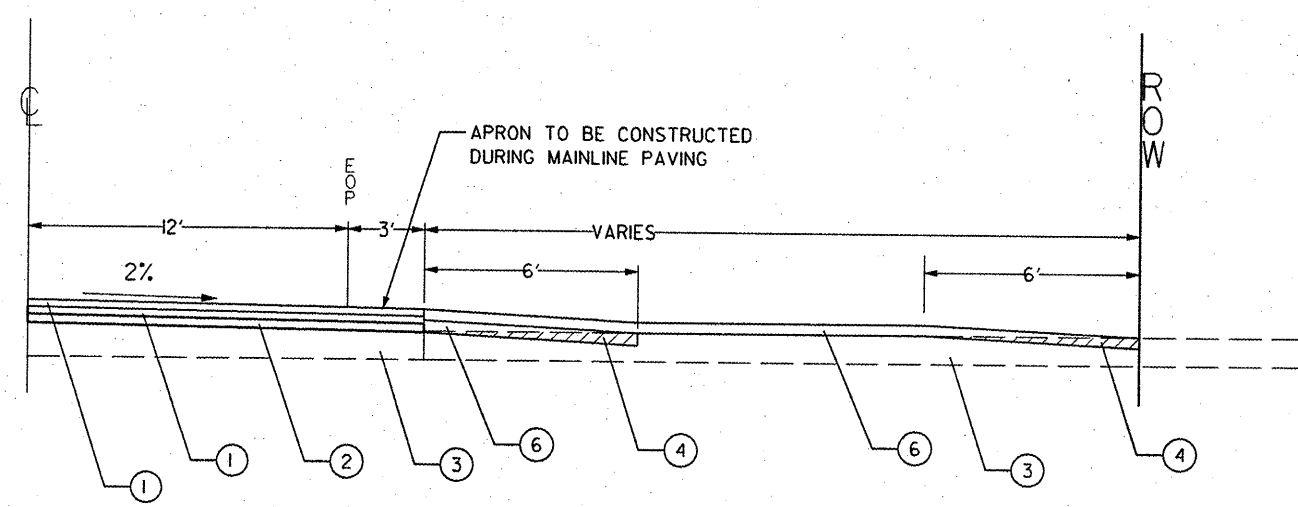
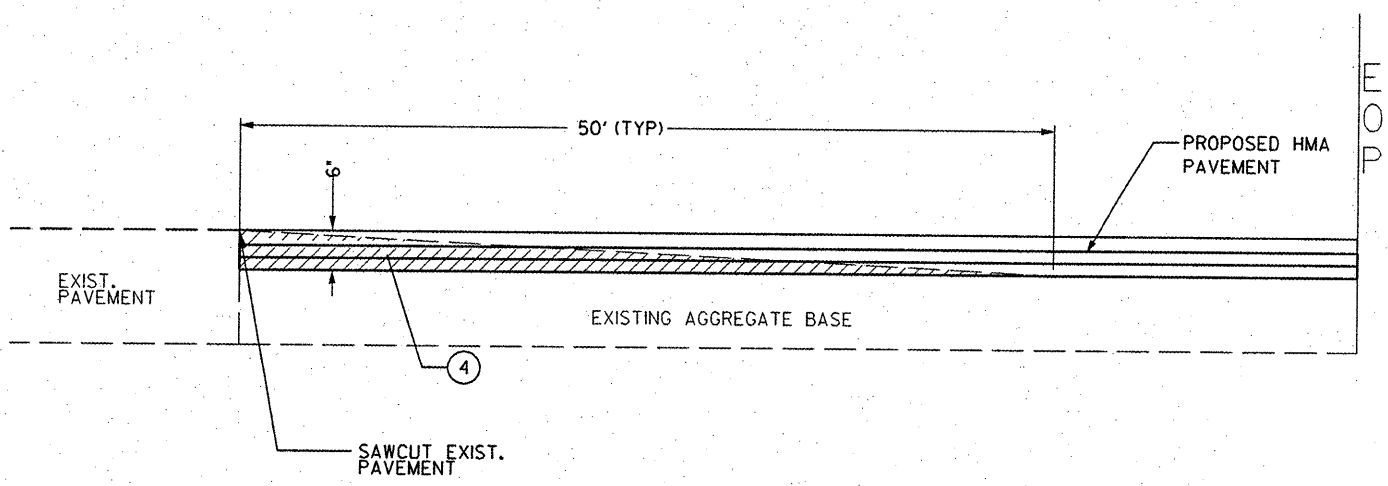


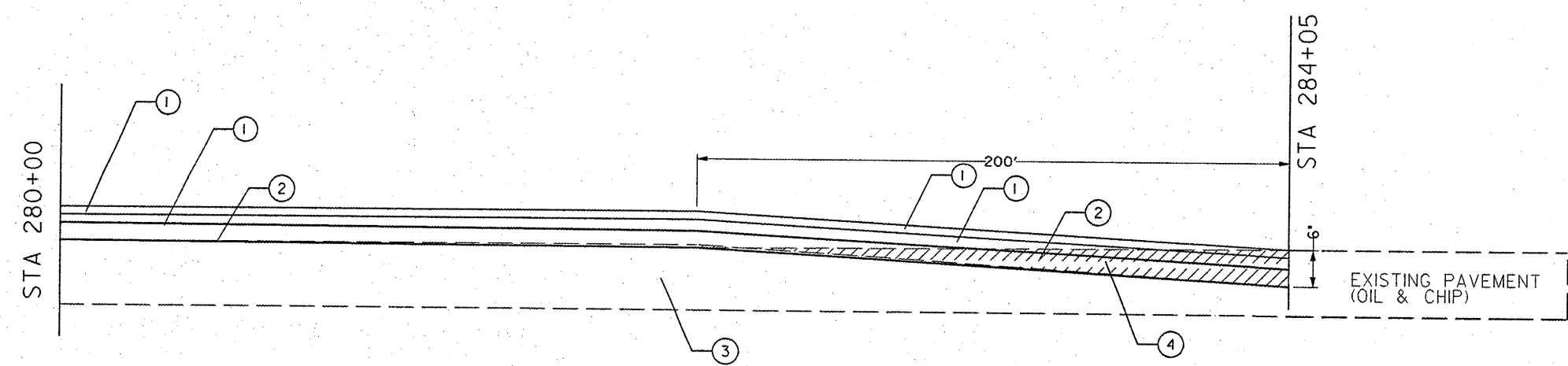
F.A.S. RTE.	SECTION	COUNTY	TOTAL SHEETS	SHEET NO.
358	86-00075-04-PV	WOODFORD	33	4
STA.	TO STA.			
FED. ROAD DIST. NO. 4	ILLINOIS	FED. AID PROJECT		

PROJECT LIMITS (STA 11+31.10)
& SIDEROADS (TYP)

PRIVATE ENTRANCE TYPICAL SECTION



• ENTRANCE NO. 13 TO BE SAWCUT WITH BUTT-JOINT AT ROW LIMITS. COST TO BE INCLUDED IN PREPARATION OF BASE SPECIAL



STATION 280+00-284+05

- ① HOT-MIX ASPHALT SURFACE COURSE IL-9.5, MIX "C", N50, 1 1/2"
- ② HOT-MIX ASPHALT BINDER COURSE IL-19.0, N50, 3"
- ③ EXISTING AGGREGATE BASE, 12" **
- ④ EXISTING AGGREGATE BASE TO BE REMOVED
- ⑤ AGGREGATE SHOULDERS TYPE B. (BY OTHERS)
- ⑥ INCIDENTAL HMA SURFACING- 3"

** EXISTING AGGREGATE BASE CONSISTS OF ASPHALT MILLINGS FROM STA. 11+31 TO STA. 163+70. DEPTH MAY VARY AT SIDEROADS AND ENTRANCES

WOODFORD COUNTY
HIGHWAY DEPARTMENT
JONATHAN HOEL, P.E., COUNTY ENGINEER
301 S. Main St.,
Roxana, IL 61561-0467
TEL: 309-923-2891
FAX: 309-923-7928

F. A. S. RTE. 358
SECTION 86-00075-04-PV
COUNTY HIGHWAY #1 (1400 E)

DETAILS

SCALE:
DATE: 04/12/2011
DRAWN BY: BJH
CHECKED BY: JJH