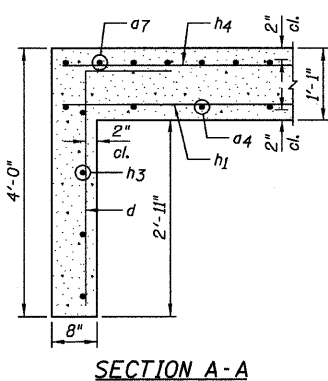
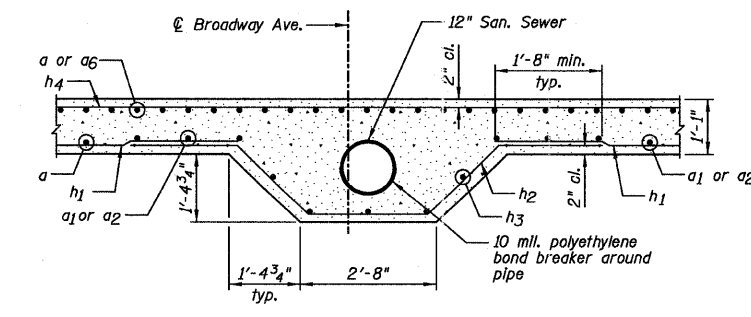


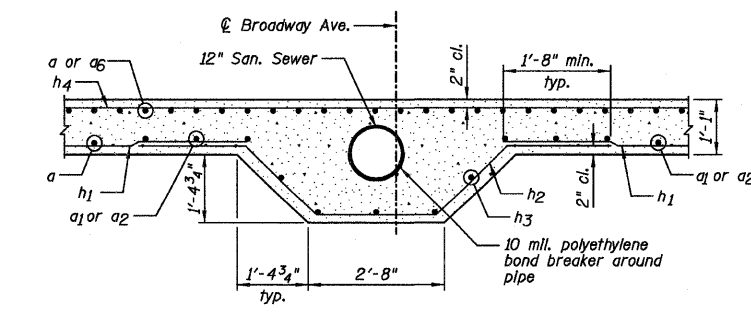
BOTTOM SLAB PLAN



SECTION A-A



SOUTH END PIPE DETAIL (SECTION G-G)
Dimensions are perpendicular to Sanitary Sewer E



NORTH END PIPE DETAIL (SECTION H-H)
Dimensions are perpendicular to Sanitary Sewer E

NOTES:

- 1.) See Sheet C10 for Views B-B and C-C.
- 2.) See Sheet C11 for Views D-D and E-E.
- 3.) See Sheet C12 for Section I-I.
- 4.) Order a4, a5 & a7 bars full length, cut according to Bar Cutting Diagram on Sheet C2. Use remainder in opposite side.

DESIGNED JCZ
CHECKED MSW
DRAWN JWK
CHECKED MSW
DATE 02/25/11

SHEET NO. C8	F.A.P. RTE.	SECTION	COUNTY	TOTAL SHEETS	SHEET NO.
	19 SHEETS	07-00233-00-BR	MCLEAN	40	23
		SN 057-7841	CONTRACT NO. 91422		
FED. ROAD DIST. NO. 5 ILLINOIS FED. AID PROJECT					