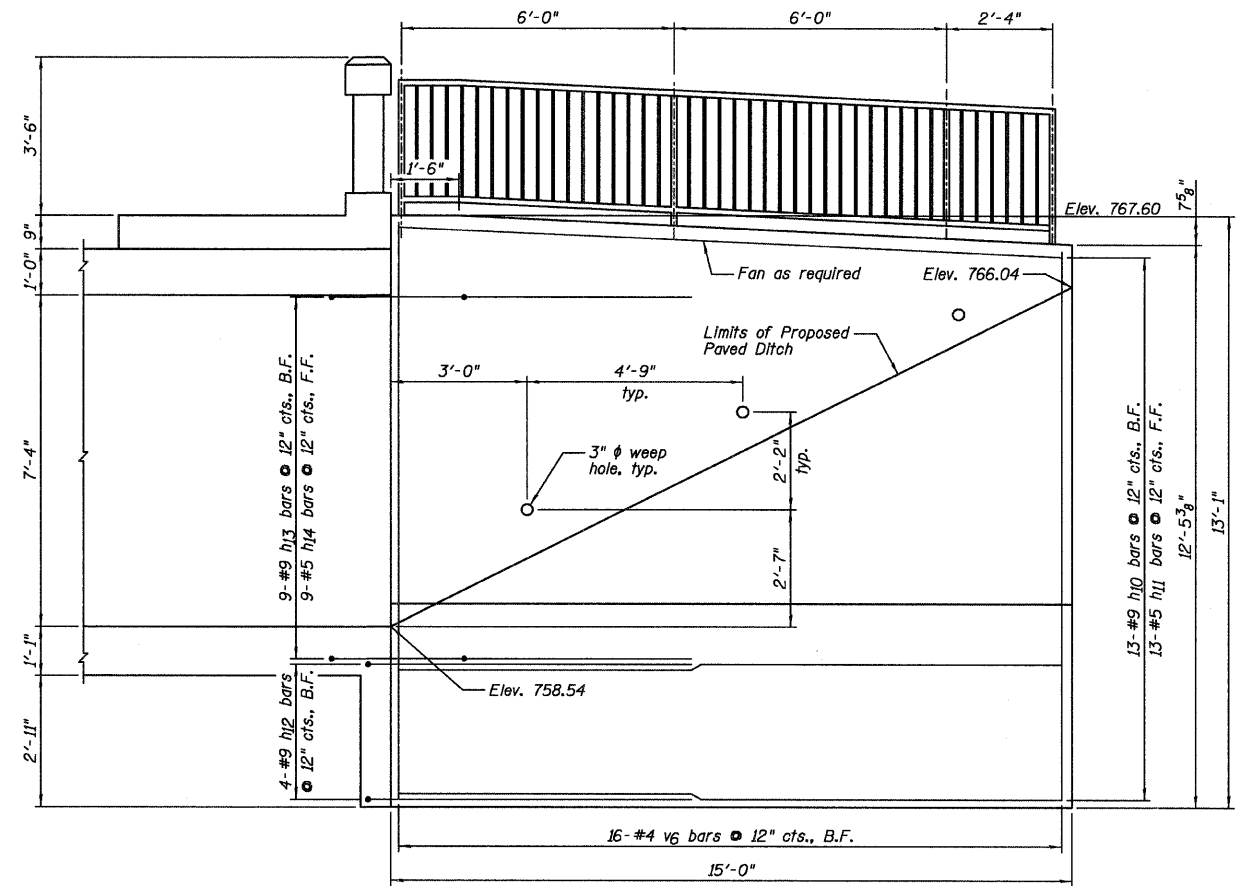
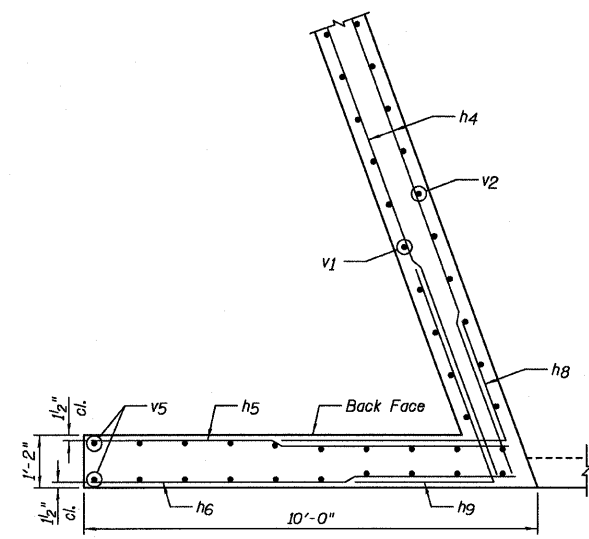


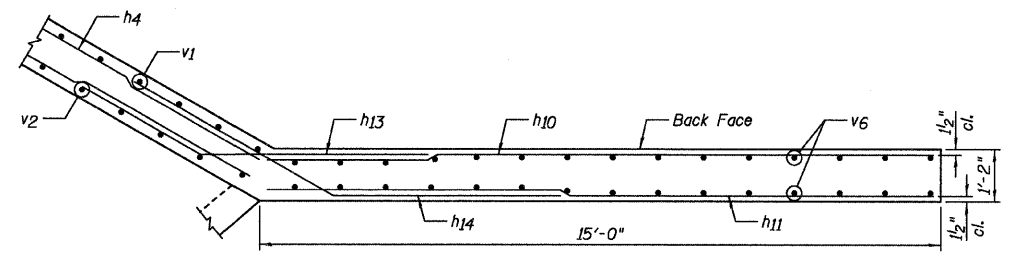
**NORTHWEST WINGWALL ELEVATION**



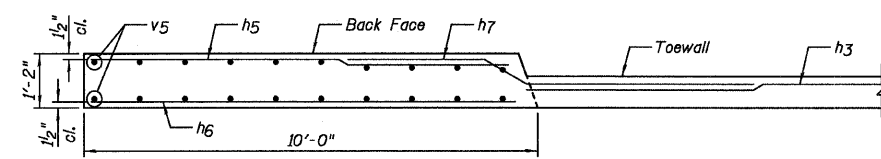
**NORTHEAST WINGWALL ELEVATION**



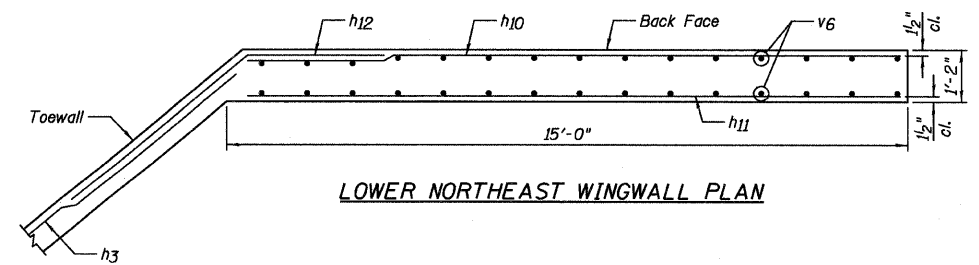
**UPPER NORTHWEST WINGWALL PLAN**



**UPPER NORTHEAST WINGWALL PLAN**



**LOWER NORTHWEST WINGWALL PLAN**



**LOWER NORTHEAST WINGWALL PLAN**

DESIGNED JCZ
CHECKED MSW
DRAWN JWK
CHECKED MSW

DATE 02/25/11

**NOTES:**

- 1.) E.F. denotes Each Face, F.F. denotes Front Face and B.F. denotes Back Face.
- 2.) Order v6 bars full length, cut according to Bar Cutting Diagram on Sheet C16. Use remainder of bars in front face.
- 3.) See Sheet C16 for Bar Bending Diagrams, Bill of Material and Joint Detail.
- 4.) For bar lap lengths, see the General Notes on Sheet C2.

**NORTHWEST AND NORTHEAST WINGWALLS STRUCTURE NO. 057-7841**

SHEET NO. C13	F.A.P. RTE.	SECTION	COUNTY	TOTAL SHEETS	SHEET NO.
	19 SHEETS	07-00233-00-BR	MCLEAN	40	28
		SN 057-7841	CONTRACT NO. 91422		
FED. ROAD DIST. NO. 5 ILLINOIS FED. AID PROJECT					