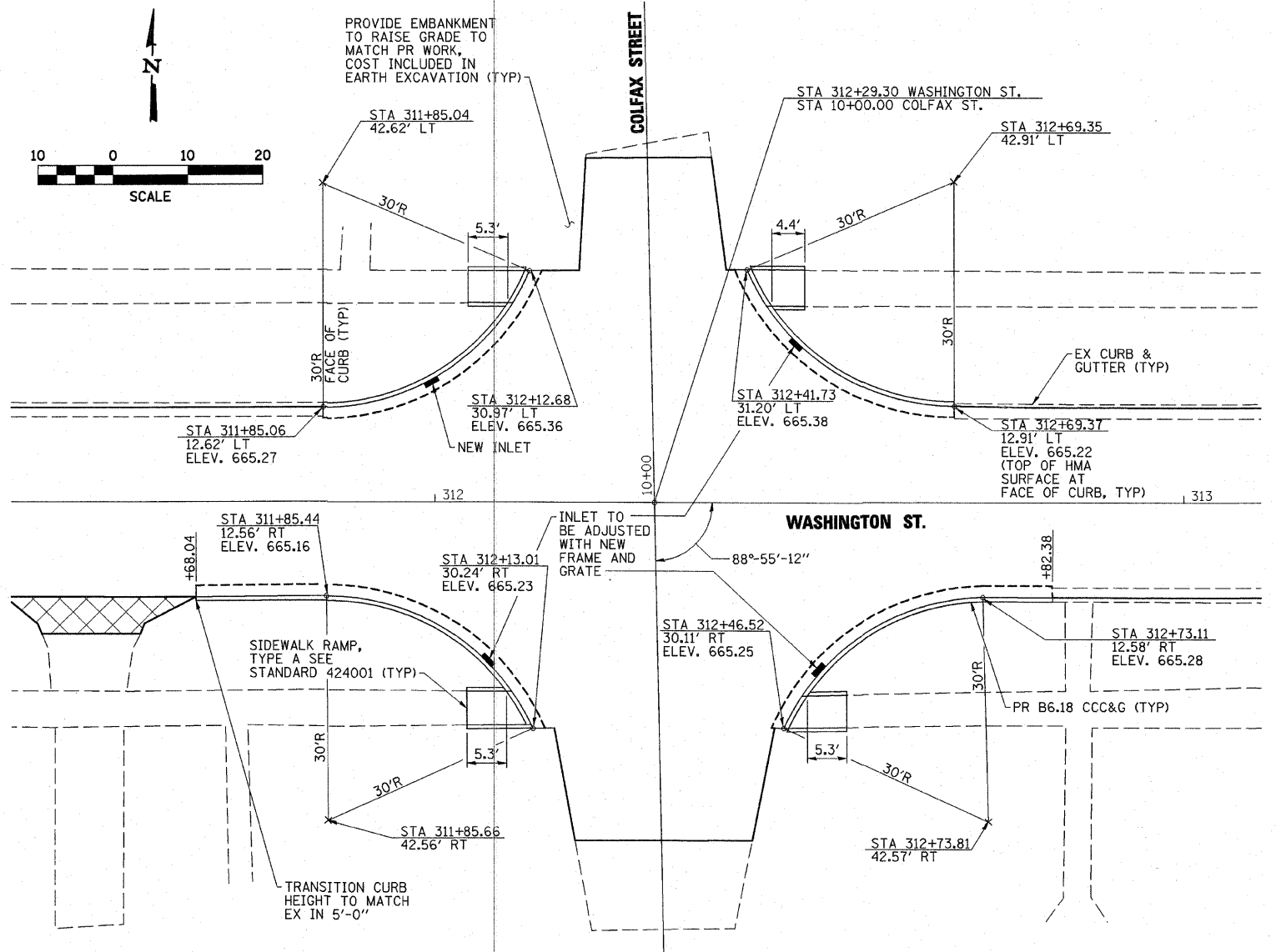
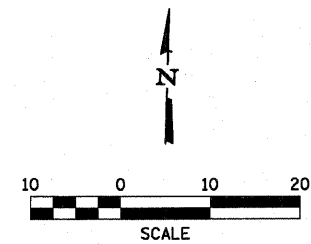


WASHINGTON / CHASE INTERSECTION PLAN



WASHINGTON / COLFAX INTERSECTION PLAN

NOTES
 1. SEE DETAIL B DWG. NO. 30 FOR SECTION SIDEWALK RAMP.

USER = HAS
 DATE = 01/11
 TIME = 2:02:24 AM
 FILE = 44502_5_129_CVL.dgn
 SCALE = 0.884 = 7 IN.

ESCA
 CONSULTANTS, INC.

| | | | | | | | | |
|--------------|-----|-------|---------|---------------|-----|------|----------|------|
| DESIGNED BY: | ELH | 01/11 | SCALE: | NONE | NO. | DATE | REVISION | APVD |
| DRAWN BY: | HAS | 01/11 | DATE: | MAR. 25, 2011 | | | | |
| CHECKED BY: | ELH | 03/11 | JOB NO. | 445.02 | | | | |
| APPROVED BY: | RDP | 03/11 | | | | | | |

MONTICELLO TRANSPORTATION IMPROVEMENT PROJECT
 CITY OF MONTICELLO

INTERSECTION DETAILS

DRAWING NUMBER
 29
 6 OF 7