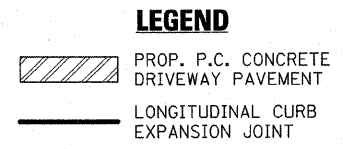


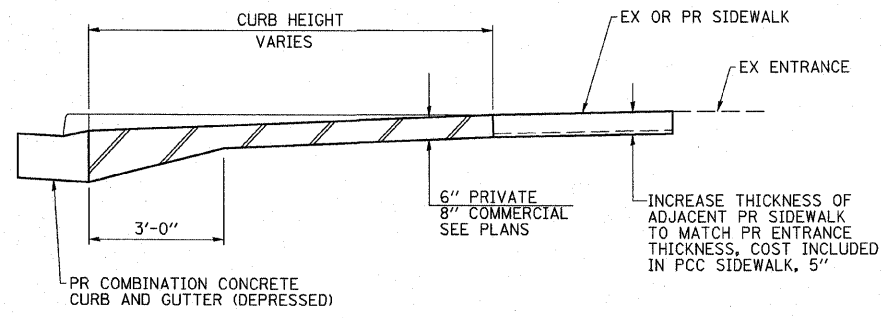
PLAN

NOTE: THE ENTRANCE WIDTHS SHOWN ON THE PLANS SHALL BE INTERPRETED TO BE THE WIDTHS AT THE COMPLETED RADIUS, WHICH MAY BE LOCATED BEHIND THE R.O.W. LINE.



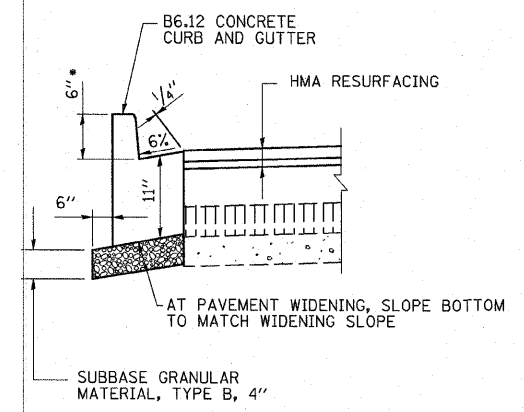
**NOTES**

1. THE LONGITUDINAL CURB EXPANSION JOINT SHALL CONFORM TO SECTION 1051 OF THE STANDARD SPECS.
2. THE ENTRANCE GRADES WILL BE THOSE REQUIRED TO MEET EXISTING CONDITIONS AND AS DIRECTED BY THE ENGINEER.
3. THE P.C. CONCRETE DRIVEWAY PAVEMENT SHALL BE CONSTRUCTED WITH SCORED GROOVES, AS SPECIFIED IN ARTICLE 424.06 OF THE STANDARD SPECIFICATIONS, AT APPROXIMATELY EVERY OTHER JOINT, EITHER IN THE EXISTING SIDEWALK OR THE PROPOSED SIDEWALK. THE PROPOSED P.C. CONCRETE SIDEWALK SHALL BE CONSTRUCTED PRIOR TO CONSTRUCTING THE P.C. CONC. DRIVEWAY PAVEMENT AND NO ADDITIONAL COMPENSATION WILL BE ALLOWED.
4. THE COMBINATION CONCRETE CURB AND GUTTER SHALL BE CONSTRUCTED AS SHOWN AND WILL BE PAID FOR AT THE CONTRACT UNIT PRICE PER LIN. FT. FOR COMBINATION CONCRETE CURB AND GUTTER OF THE TYPE SPECIFIED IN THE PLANS AND NO ADDITIONAL COMPENSATION WILL BE ALLOWED.
5. THE VARIABLE HEIGHT CURB ADJACENT TO THE P.C. CONCRETE DRIVEWAY PAVEMENT SHALL BE CONSTRUCTED MONOLITHIC WITH AND INCLUDED IN THE AREA OF THE P.C. CONCRETE DRIVEWAY PAVEMENT OF THE THICKNESS SPECIFIED IN THE PLANS. THIS WORK WILL BE PAID FOR AT THE CONTRACT UNIT PRICE PER SQ. YD. FOR P.C. CONCRETE DRIVEWAY PAVEMENT OF THE THICKNESS SPECIFIED IN THE PLANS, INCLUDING THE MONOLITHIC CURBS AS SPECIFIED, THE SCORED GROOVES, THE LONGITUDINAL CURB EXPANSION JOINTS, AND THE ADDITIONAL THICKNESS REQUIRED ADJACENT TO THE DEPRESSED COMBINATION CONCRETE CURB AND GUTTER, AND NO ADDITIONAL COMPENSATION WILL BE ALLOWED.



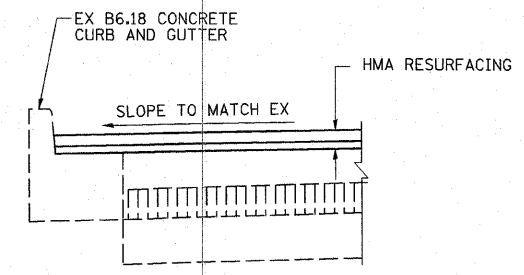
SECTION A-A

**PCC DRIVEWAY PAVEMENT DETAILS**

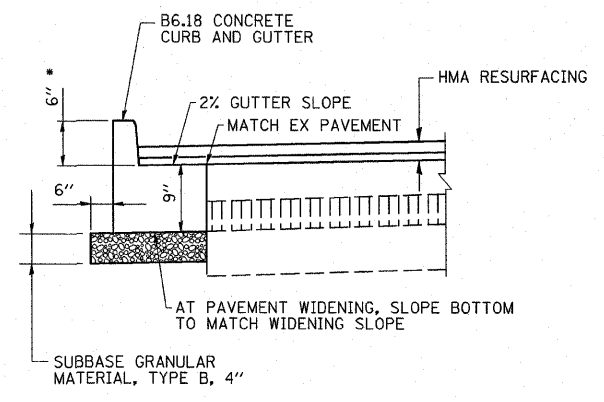


• TRANSITION TO MATCH EX CURB IN 5'-0" AS NECESSARY

**BUCHANAN STREET**



**WASHINGTON ST. (EX CURB)**



**WASHINGTON ST. (PR CURB)**

**CONCRETE CURB AND GUTTER DETAILS**

USER: HAS  
DATE: 3/24/2011  
FILE: 44502.S\_G44\_CVL.dgn  
SCALE: 0.0084 = 7/8" IN.



DESIGNED BY:	ELH	01/11	SCALE:	NONE	NO.	DATE	REVISION	APVD
DRAWN BY:	HAS	01/11	DATE:	MAR. 25, 2011				
CHECKED BY:	ELH	01/11	JOB NO.	445.02				
APPROVED BY:	RDP	01/11						

MONTICELLO TRANSPORTATION IMPROVEMENT PROJECT  
CITY OF MONTICELLO

MISCELLANEOUS DETAILS

DRAWING NUMBER  
**44**  
2 OF 3