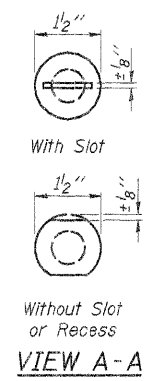
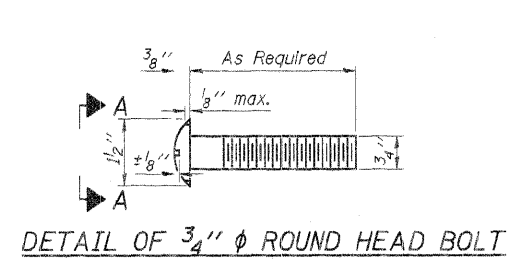
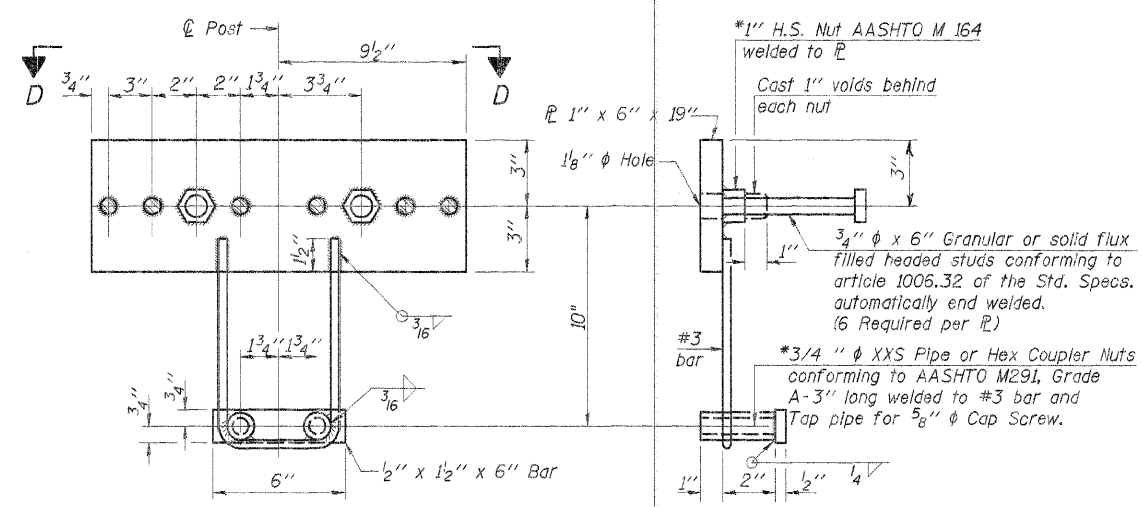


ROUTE NO.	SECTION	COUNTY	TOTAL SHEETS	SHEET
FAS1523	*	CHAMPAIGN	38	30
FED. ROAD DIST. NO. 7	ILL. 118	FED. AID PROJ. DIST.		

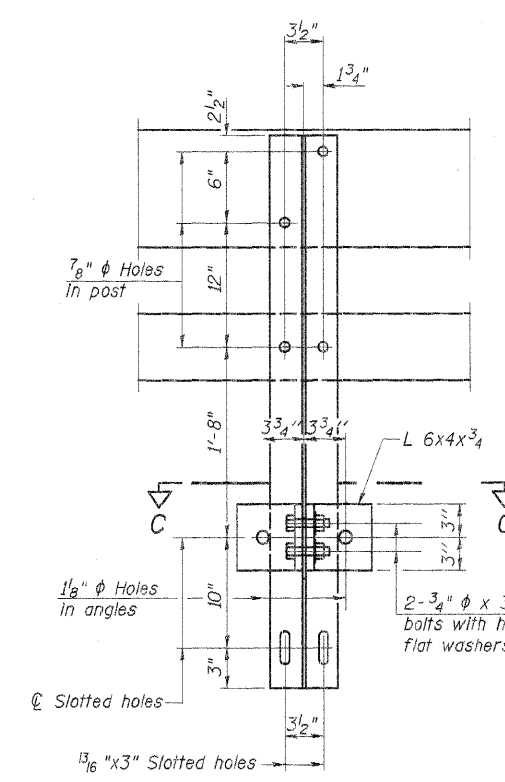
\* 09-00956-00-BR  
Contract No. 91452



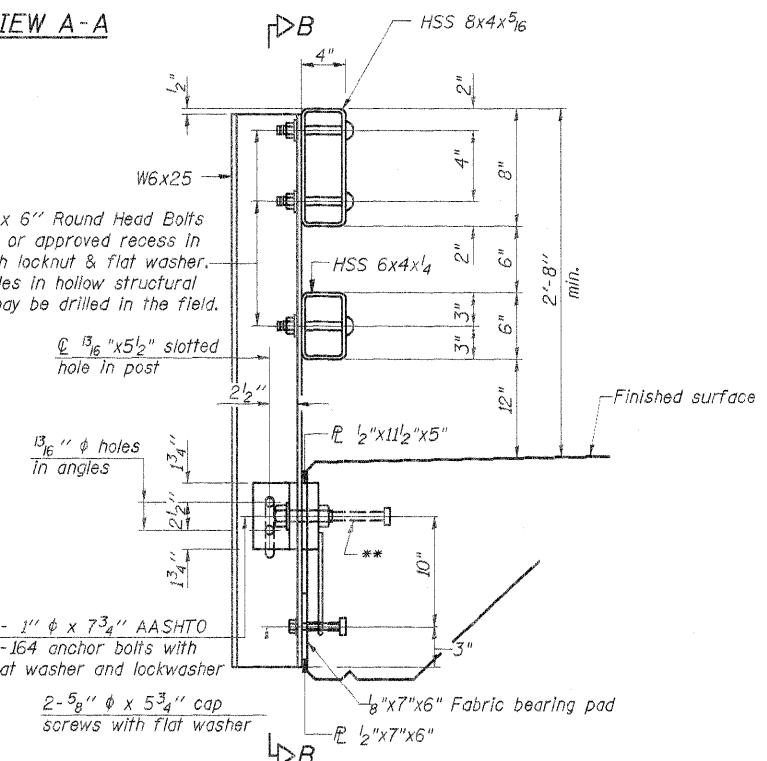
4-3/4"  $\phi$  x 6" Round Head Bolts (With slot or approved recess in head) with locknut & flat washer. 7/8"  $\phi$  holes in hollow structural section may be drilled in the field.



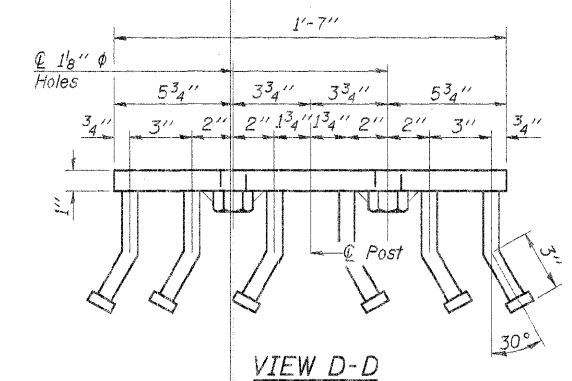
\*Threaded areas shall be plugged or blocked off during casting of beam. Galvanized after fabrication.



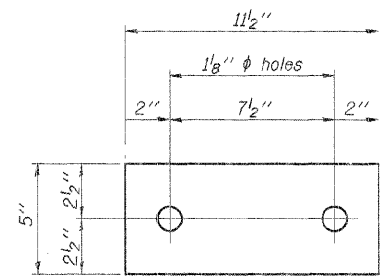
SECTION B-B



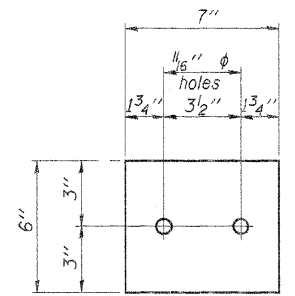
SECTION AT RAIL POST



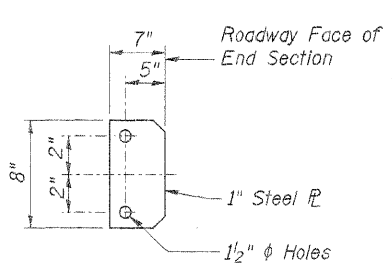
VIEW D-D



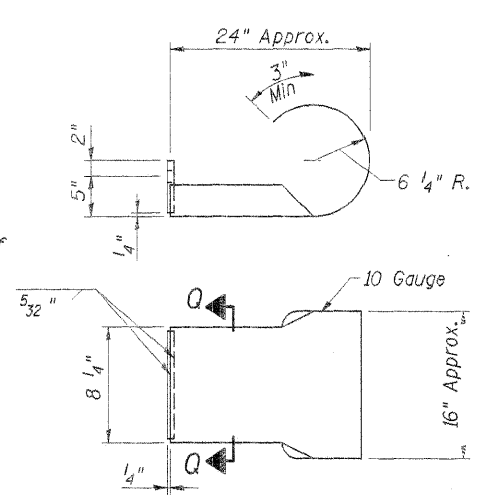
1/2" x 11 1/2" x 5"



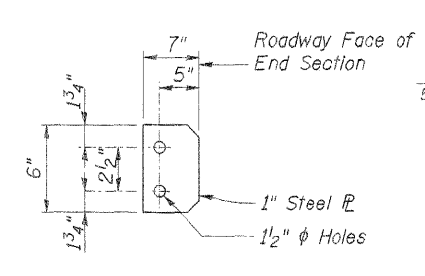
1/2" x 7" x 6"



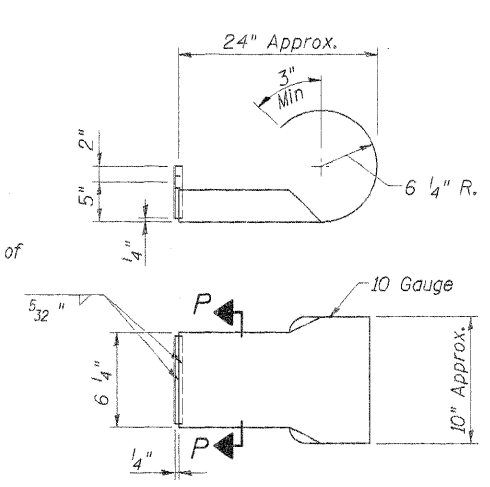
SECTION Q-Q



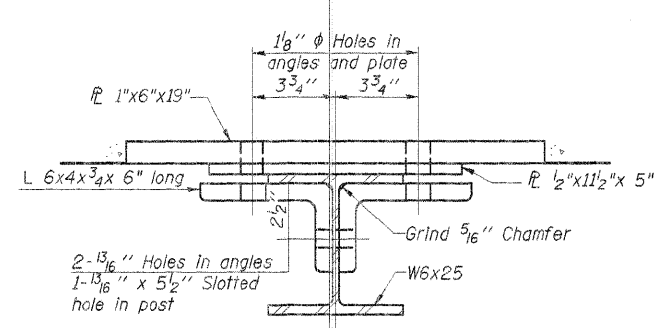
CURLLED END SECTION DETAIL FOR TOP BRIDGE RAIL



SECTION P-P



CURLLED END SECTION DETAIL FOR BOTTOM BRIDGE RAIL



SECTION C-C

DSGN	K.J. Hoffmann				
DR	K.J. Hoffmann				
CHK	J.R. Wolf				
APVD	A. Fraunhoffer	NO.	DATE	REVISION	BY

**FRAUENHOFER & ASSOCIATES**  
A division of Engineering Resource Associates, Inc.  
Consulting Engineers, Scientists, & Surveyors

3002 CROSSING COURT  
CHAMPAIGN, IL 61822  
PHONE (217) 351-6258  
FAX (217) 355-1802

STEEL RAILING, TYPE SM (SHEET 2 OF 2)  
FAS 1523 (CH 55) OVER UPPER SALT FORK  
SEC 09-00956-00-BR  
CHAMPAIGN COUNTY

SHEET	30
DWG NO.	7052SM.dwg
DATE	FEB 2011
PROJ NO.	7052