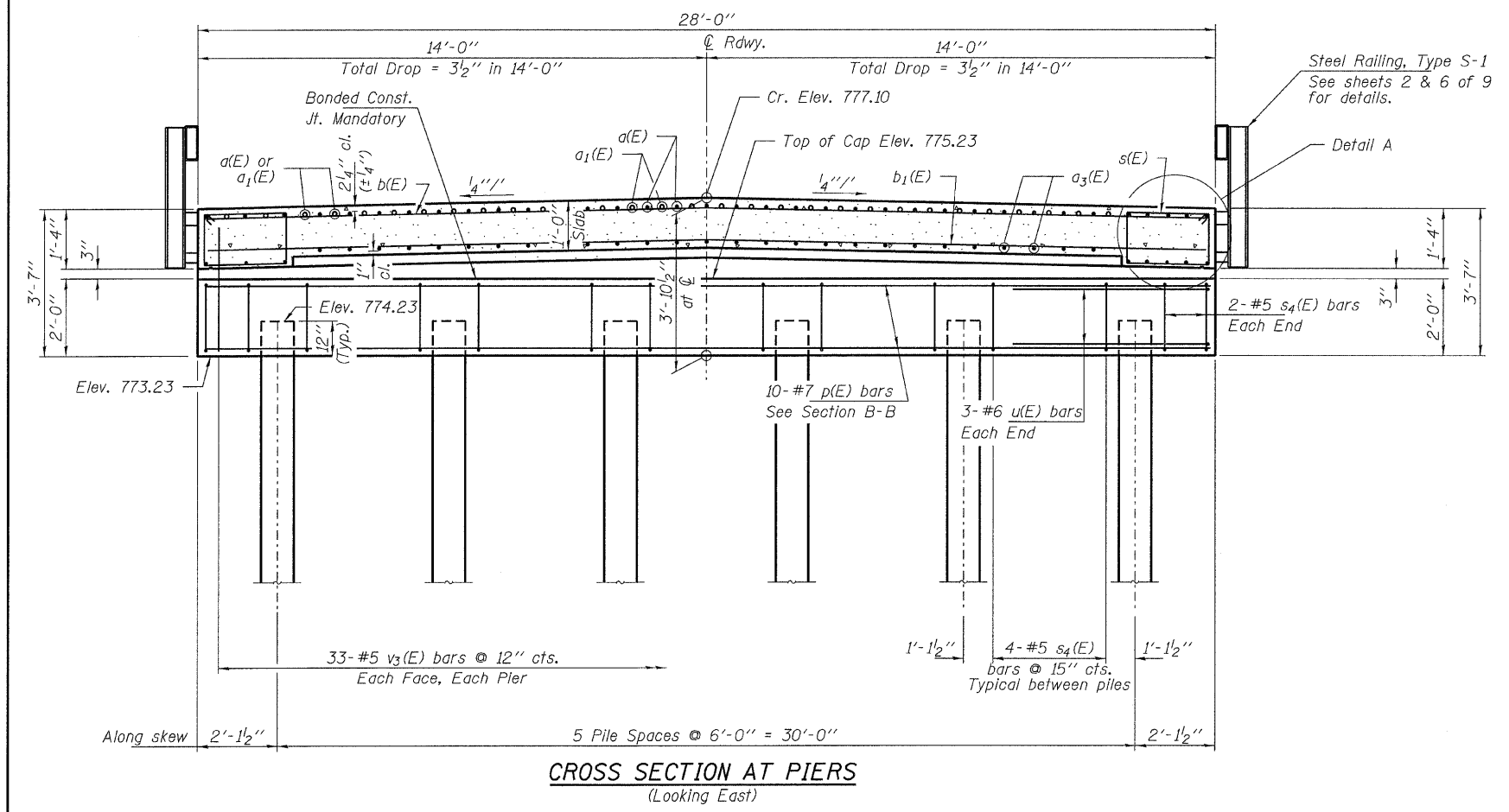
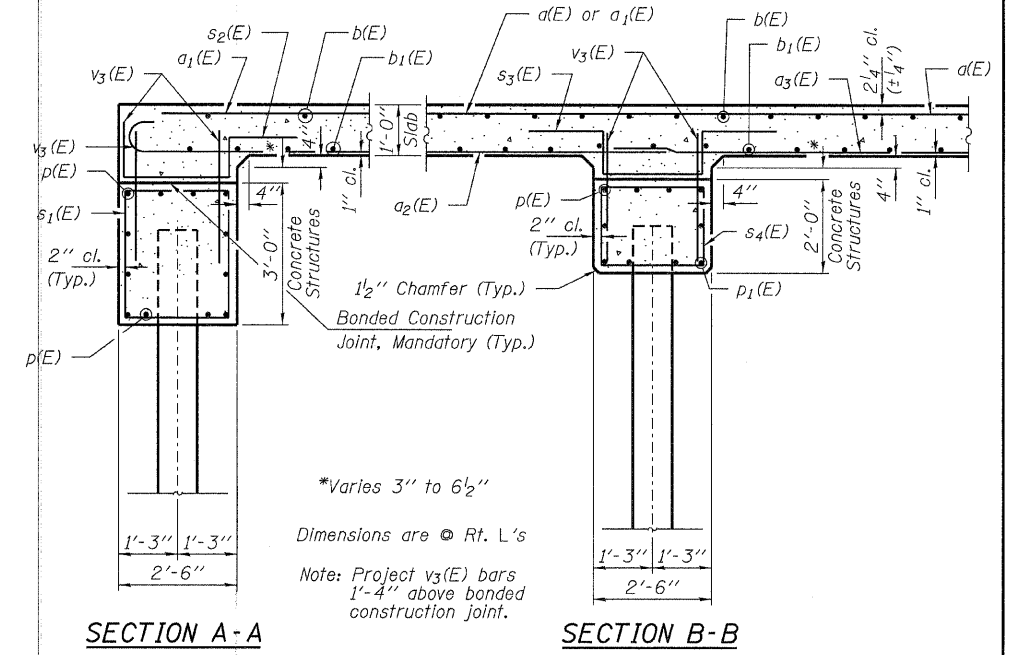


CROSS SECTION NEAR ABUTMENTS
(Looking East)

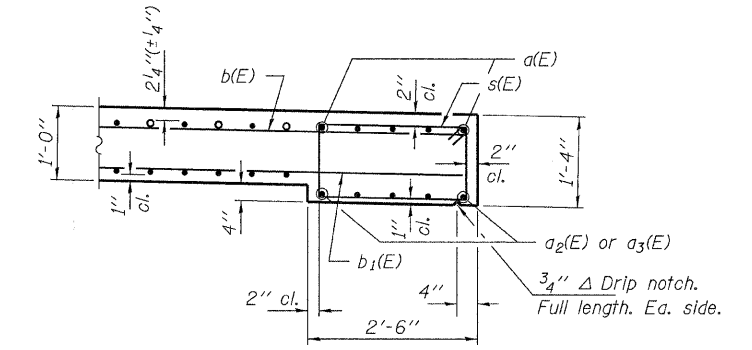


CROSS SECTION AT PIERS
(Looking East)



SECTION A-A

SECTION B-B



DETAIL A

PILE DATA

Type and Size	Precast Concrete Piles 14"
No. Req'd	*22
Nominal Req'd Bearing	265 Kips/Pile
Factored Resistance Available	146 Kips/Pile
Est. Lengths	25 Ft/Pile (Abuts.) 30 Ft/Pile (Piers)

Notes: The test piles shall be driven to 110 percent of the Nominal Required Bearing indicated in the pile data information

* Includes two test piles to be driven in permanent locations, one at the West Abutment and one at Pier 2.

FILE NAME = 108353-sht-bridge.dgn	USER NAME =	DESIGNED - A.S.L.	REVISED -
HAMPTON, LENZINI AND RENWICK, INC.		CHECKED - S.W.M.	REVISED -
3045 STEVENSON DRIVE, SUITE 201		DRAWN - D.T.M.	REVISED -
SPRINGFIELD, ILLINOIS 62761	PLOT SCALE =	CHECKED - S.W.M.	REVISED -
ILLINOIS PROFESSIONAL DESIGN FIRM	PLOT DATE = 3/2/2011		
LS / PE / SE CORP. 184.00099			

STATE OF ILLINOIS
McLEAN COUNTY HIGHWAY DEPARTMENT

SUPERSTRUCTURE DETAILS
STRUCTURE NO. 057-3519
SHEET NO. 5 OF 9 SHEETS

T.R.	SECTION	COUNTY	TOTAL SHEETS	SHEET NO.
221A	10-07133-00-BR	McLEAN	19	15
SCHULTZ BRIDGE			CONTRACT NO. 91455	
			ILLINOIS FED. AID PROJECT BR05-0113034	