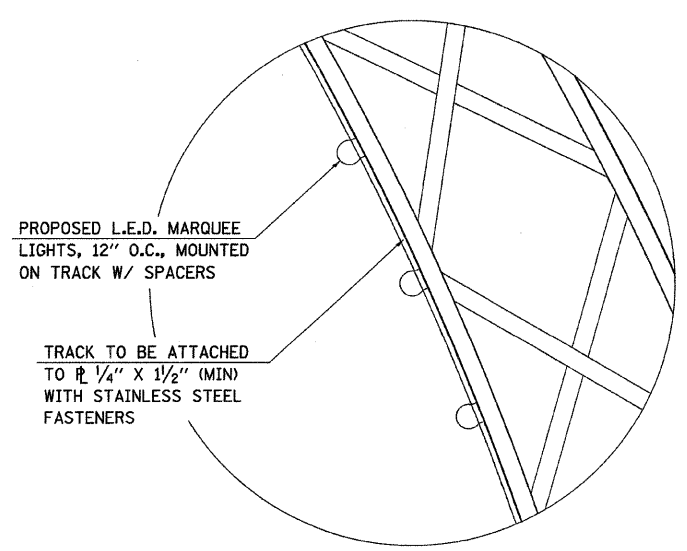
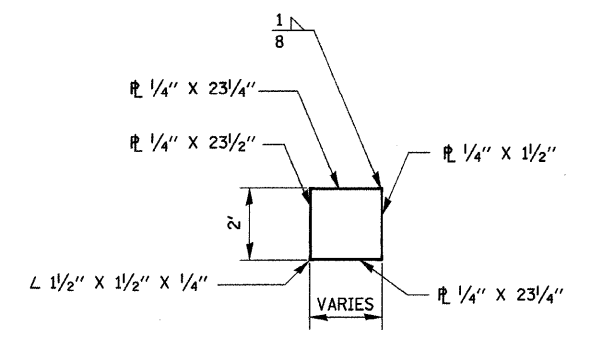


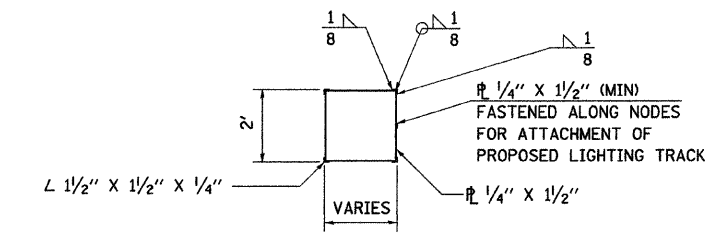
DECORATIVE ARCH
(FACING NORTH)



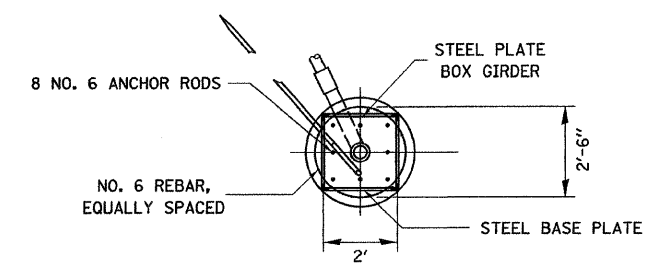
DETAIL A



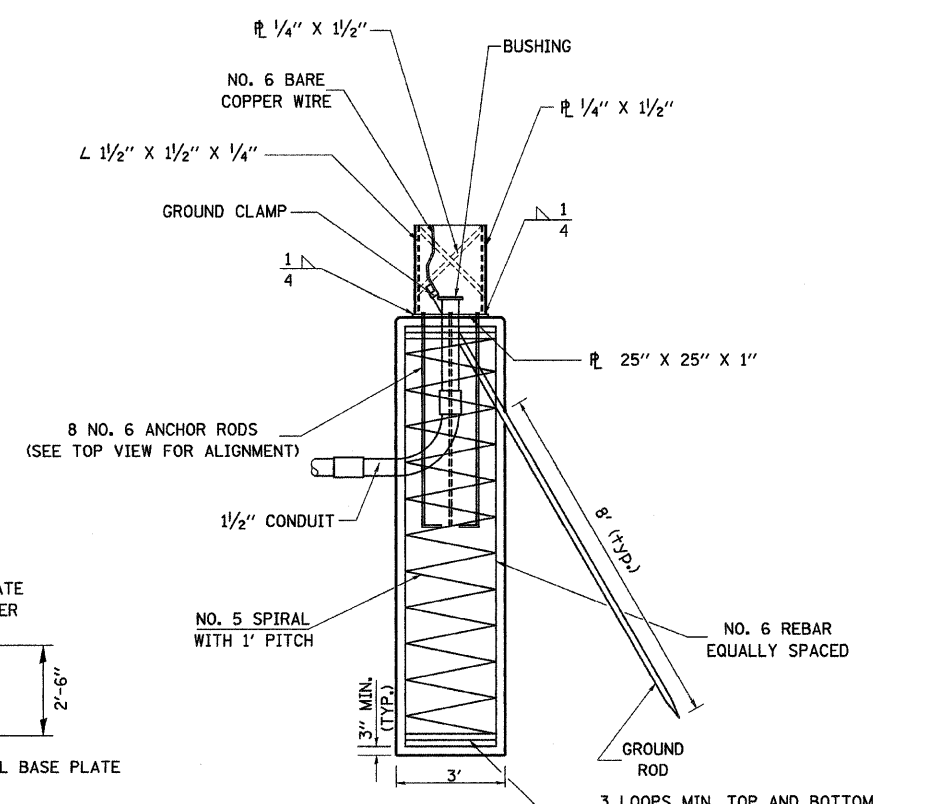
SECTION B-B
(NOT TO SCALE)



SECTION C-C
(NOT TO SCALE)



TOP VIEW OF PCC PIER
(NOT TO SCALE)



SECTION A-A
(NOT TO SCALE)

FILE NAME = v:\transportation\2893\arch.dgn	USER NAME = jolson	DESIGNED - JMO	REVISED -	STATE OF ILLINOIS DEPARTMENT OF TRANSPORTATION	CITY OF JACKSONVILLE DOWNTOWN STREETS RECONSTRUCTION ORNAMENTAL STREETSCAPE STRUCTURE DETAIL			F.A. RTE.	SECTION	COUNTY	TOTAL SHEETS	SHEET NO.
PLOT SCALE = 5.0000' / IN.	CHECKED - JMO	DATE - 2/22/11	REVISED -					10-00121-01-PV	MORGAN	77	55	
PLOT DATE = 2/23/2011					SCALE:	SHEET NO. OF SHEETS	STA. TO STA.	ILLINOIS FED. AID PROJECT				
								CONTRACT NO. 93547				