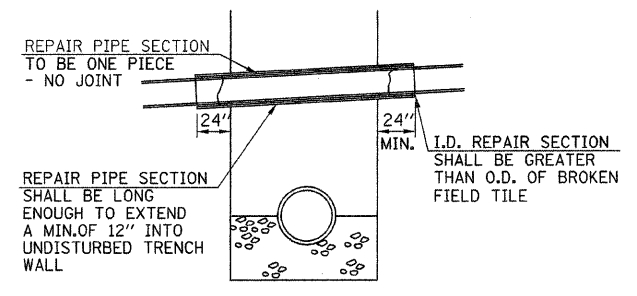
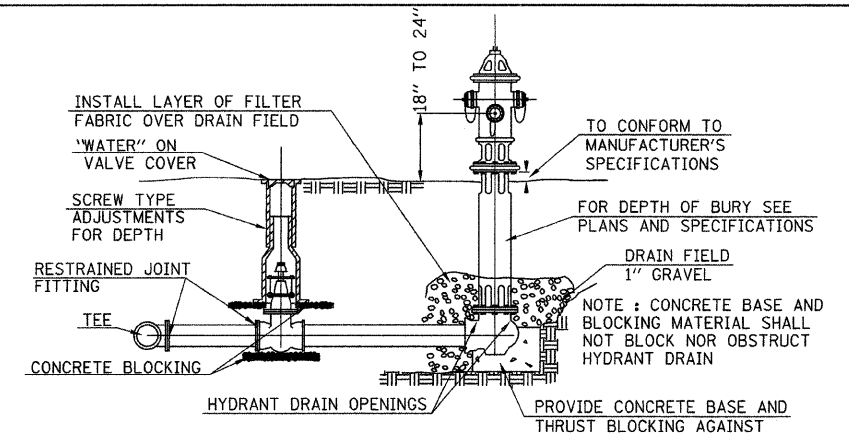


TYPICAL TAP SERVICE CONNECTION  
SCALE: NONE



DETAIL OF DRAINAGE/FIELD TILE REPAIR  
SCALE: NONE



TYPICAL FIRE HYDRANT & VALVE INSTALLATION  
SCALE: NONE

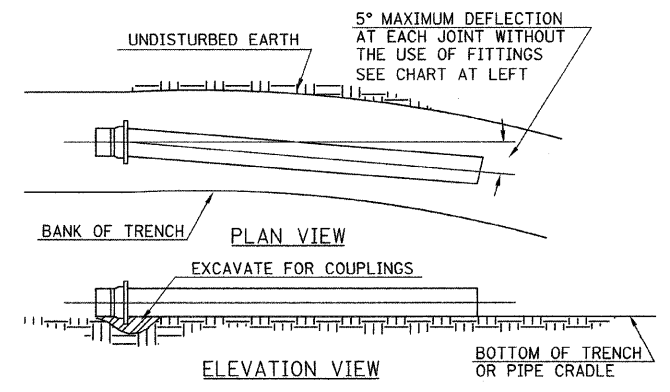
MAXIMUM DEFLECTION FULL LENGTH PIPE  
PUSH-ON TYPE JOINT PIPE

SIZE OF PIPE "	DEFLECTION ANGLE DEG.	MAXIMUM DEFLECTION		APPROX. RADIUS OF CURVE	
		18-FT. LENGTH	20-FT. LENGTH	18-FT. LENGTH	20-FT. LENGTH
4"	5°	19"	21"	205'	230'
6"	5°	19"	21"	205'	230'
8"	5°	19"	21"	205'	230'
10"	5°	19"	21"	205'	230'
12"	5°	19"	21"	205'	230'

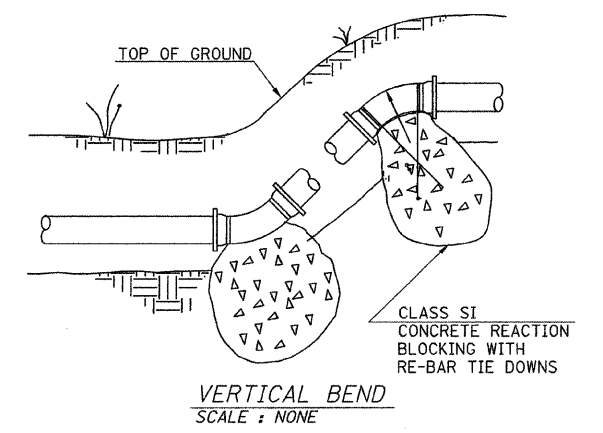
D	40	50	60	70	80	90
6"	1.2	1.5	1.7	2.0	2.3	2.6
8"	2.0	2.6	3.1	3.6	4.1	4.6
10"	3.2	4.0	4.8	5.5	6.3	7.1
12"	4.6	5.7	6.8	8.0	9.1	10.2

\*ESTIMATED BEARING SURFACES FOR THIS PROJECT

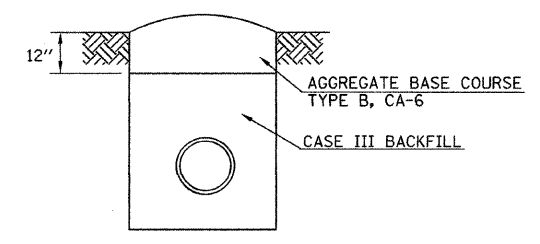
SCHEDULE FOR REACTION BLOCKING  
MIN. BEARING SURFACE IN SQ. FT.  
LINE PRESSURE (psi)



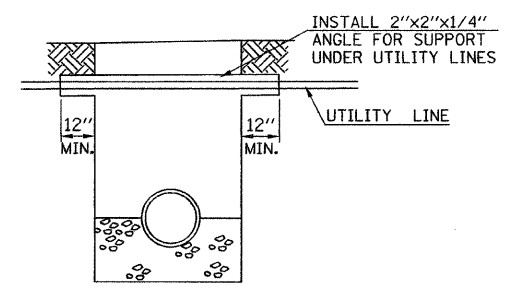
MAXIMUM PIPE DEFLECTION  
SCALE: NONE



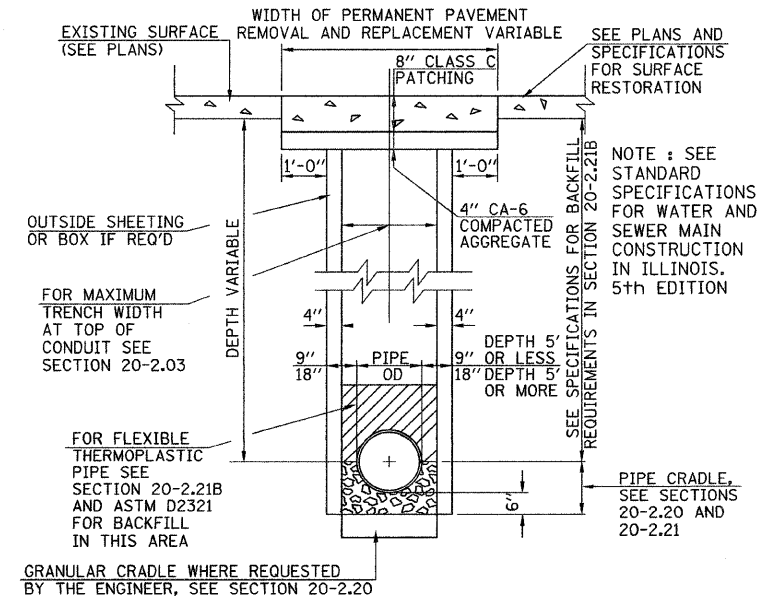
VERTICAL BEND  
SCALE: NONE



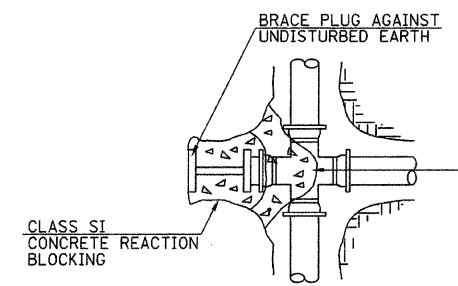
TEMPORARY SURFACE DETAIL  
SCALE: NONE



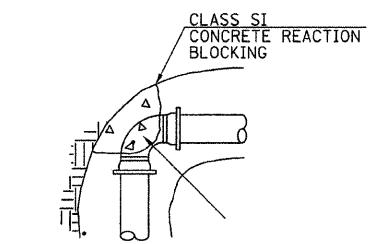
DETAIL OF UTILITY CROSSING SUPPORT  
SCALE: NONE



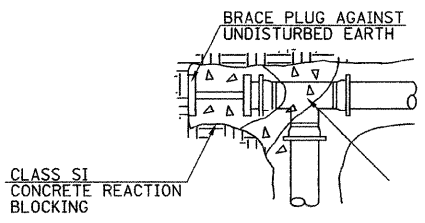
TRENCH DETAIL #1  
SCALE: NONE



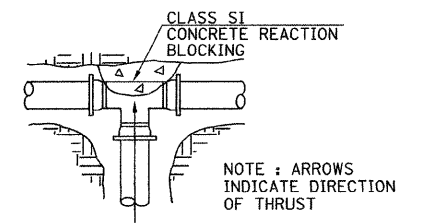
PLUGGED CROSS  
SCALE: NONE



90° & 45° BEND  
SCALE: NONE



PLUGGED TEE  
SCALE: NONE



TEE  
SCALE: NONE

FILE NAME = V:\Transportation\2954\2954W001.dgn	USER NAME = jolson	DESIGNED - JRB	REVISED -
		DRAWN - JMO	REVISED -
		CHECKED - JRB	REVISED -
		DATE - 2/22/11	REVISED -

CITY OF JACKSONVILLE DOWNTOWN PLAZA STREETS RECONSTRUCTION				F.A. RTE.	SECTION	COUNTY	TOTAL SHEETS	SHEET NO.
SPECIAL DETAILS				N/A	05-00121-00-PV	MORGAN	77	61
SCALE: N/A	SHEET NO.	OF SHEETS	STA.	TO STA.	CONTRACT NO. 93547			
				FED. ROAD DIST. NO.	ILLINOIS FED. AID PROJECT			