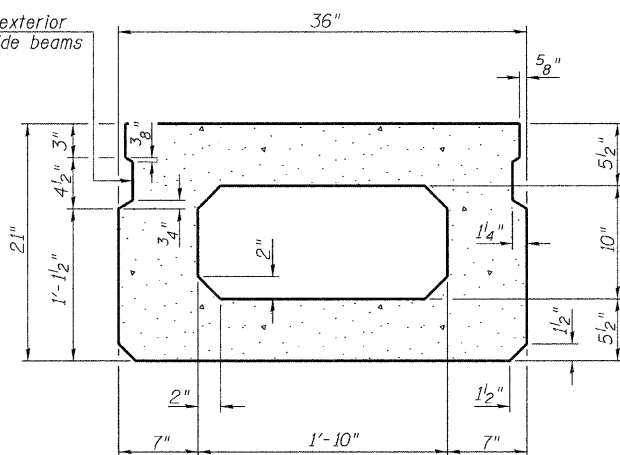


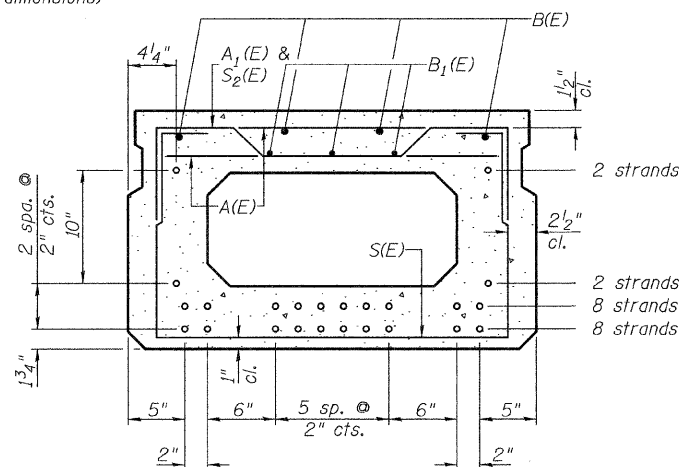
SECTION C-C

**Omit key on exterior face of outside beams



SECTION A-A
(Showing dimensions)

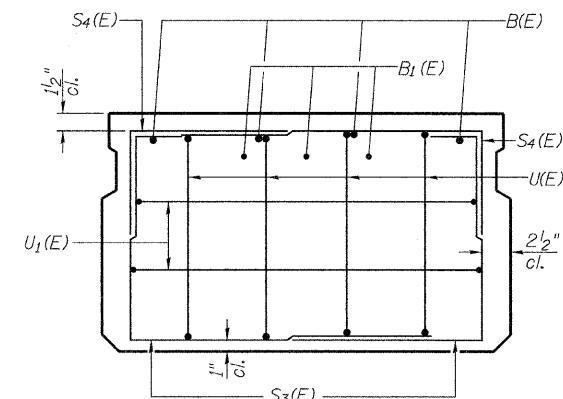
**Rail post anchor devices (Sheet 6 of 10) to be cast into exterior face of outside beams.



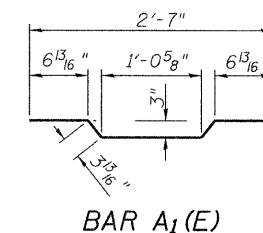
SECTION A-A

20- $\frac{1}{2}$ " ϕ Strands Each Strand Stressed to 30,900 Lbs.
8-Strands $1\frac{3}{4}$ " up, 8-Strands $3\frac{3}{4}$ " up, 2-Strands $5\frac{3}{4}$ " up
2-Strands $1'-3\frac{3}{4}$ " up

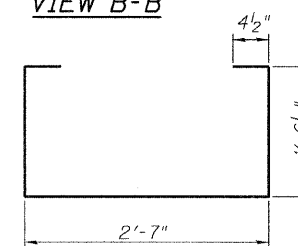
Note: Place the number of strands specified in each row symmetrically about the centerline of beam in the permissible strand locations shown.



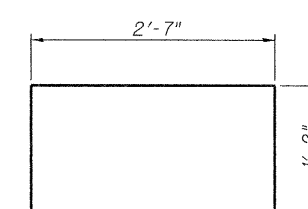
VIEW B-B



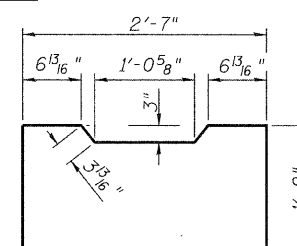
BAR A1(E)



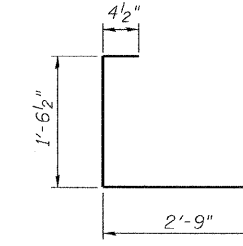
BAR S(E)



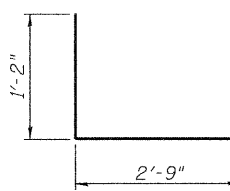
BAR S1(E)



BAR S2(E)



BAR S3(E)



BAR S4(E)

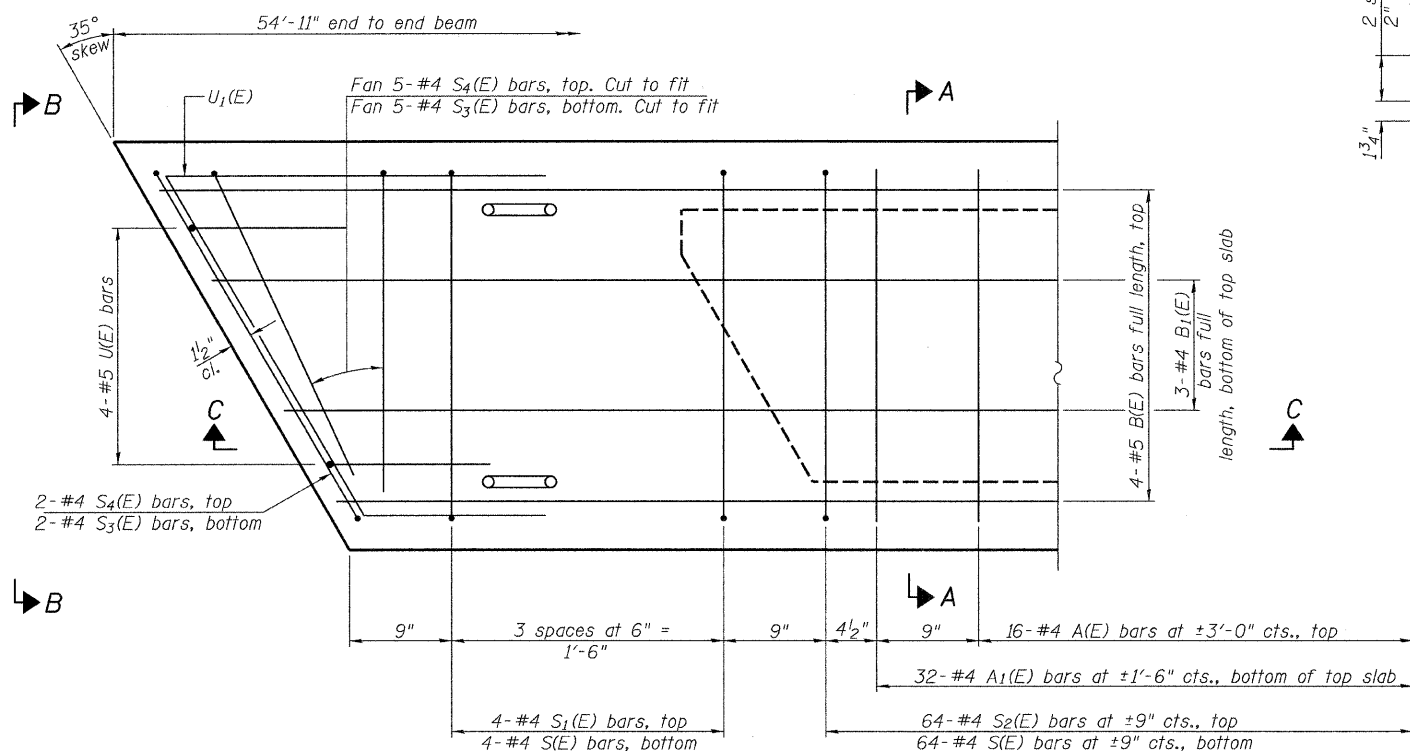
BAR LIST - ONE BEAM ONLY

(For information only)

Bar	No.	Size	Length	Shape
A1(E)	16	#4	2'-7"	—
A1(E)	32	#4	2'-10"	—
B1(E)	4	#5	*54'-8"	—
B1(E)	3	#4	*54'-8"	—
S(E)	72	#4	6'-5"	—
S1(E)	8	#4	4'-11"	—
S2(E)	64	#4	5'-2"	—
S3(E)	14	#4	4'-8"	—
S4(E)	14	#4	3'-11"	—
U(E)	8	#5	4'-0"	—
U1(E)	4	#4	7'-4"	—

* Total Length, Lap as necessary

Note: See sheet 4 of 10 for additional details and Bill of Material.

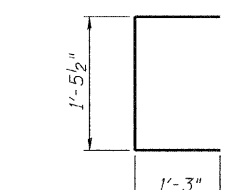


PLAN VIEW

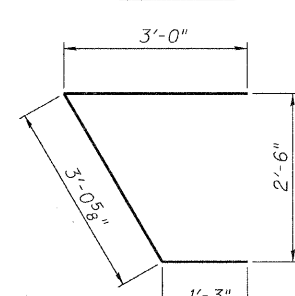
MINIMUM BAR LAP

#4 bar = 2'-0"
#5 bar = 2'-6"

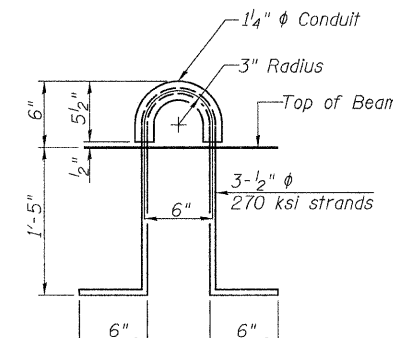
Note: Spacing of S(E) and S2(E) bars may be adjusted up to 4" in the immediate area of the transverse tie diaphragms to miss the block outs for the transverse ties.



BAR U(E)



BAR U1(E)



LIFTING LOOP DETAIL

SUPERSTRUCTURE - SPAN 2
MASON COUNTY
SECTION 08-00035-01-BR
C.H. 19 OVER SLEEPY HOLLOW DITCH

SHEET NO. 5 10 SHEETS	ROUTE NO. CH 19	SECTION 08-00035-01-BR	COUNTY MASON	TOTAL SHEETS 22	SHEET NO. 11
	S.N. 063-3033		CONTRACT NO. 93549		
FED. ROAD DIST. NO. 7 ILLINOIS			FED. AID PROJECT BRS-1595(104)		