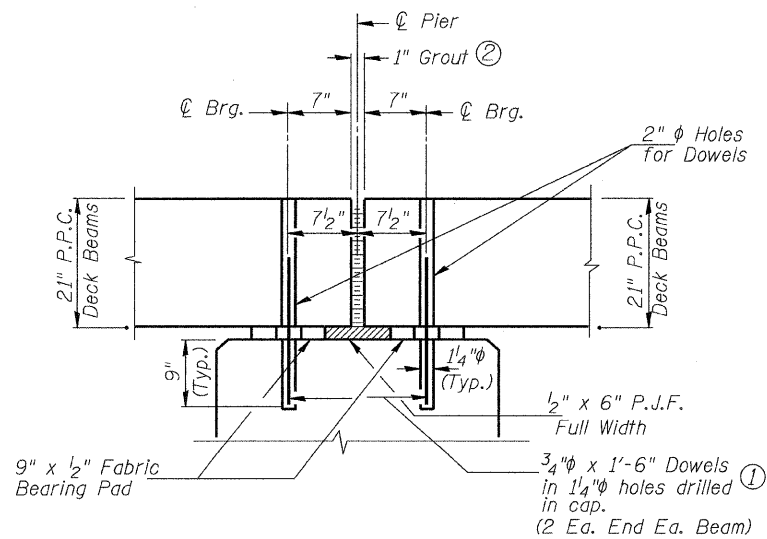
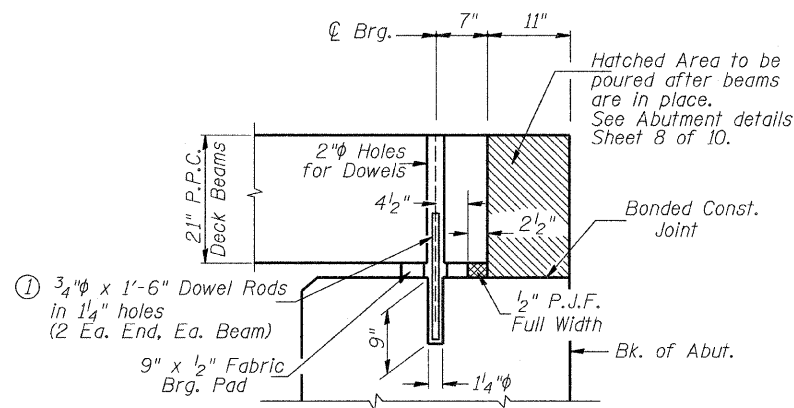


**RAIL POST SPACING**



**SECTION THRU PIERS**  
(At Right Angles)



**SECTION THRU ABUTMENTS**  
(At Right Angles)

- ① Dowel Rods to be grouted after beams are in place and allowed to cure (Min. 24 hr.) prior to grouting the shear keys.
- ② 1" Joint shall be packed with a very dry mix of 2:1 sand and P.C. mortar. 1" Dimension may vary plus or minus to accommodate tolerance in beam lengths.

**RAIL POST SPACING AND  
SUPERSTRUCTURE DETAILS  
MASON COUNTY  
SECTION 08-00035-01-BR  
C.H. 19 OVER SLEEPY HOLLOW DITCH**

SHEET NO. 7  10 SHEETS	ROUTE NO. CH 19	SECTION 08-00035-01-BR	COUNTY MASON	TOTAL SHEETS 22	SHEET NO. 13
	S.N. 063-3033		CONTRACT NO. 93549		
FED. ROAD DIST. NO. 7 ILLINOIS			FED. AID PROJECT BRS-1595(104)		