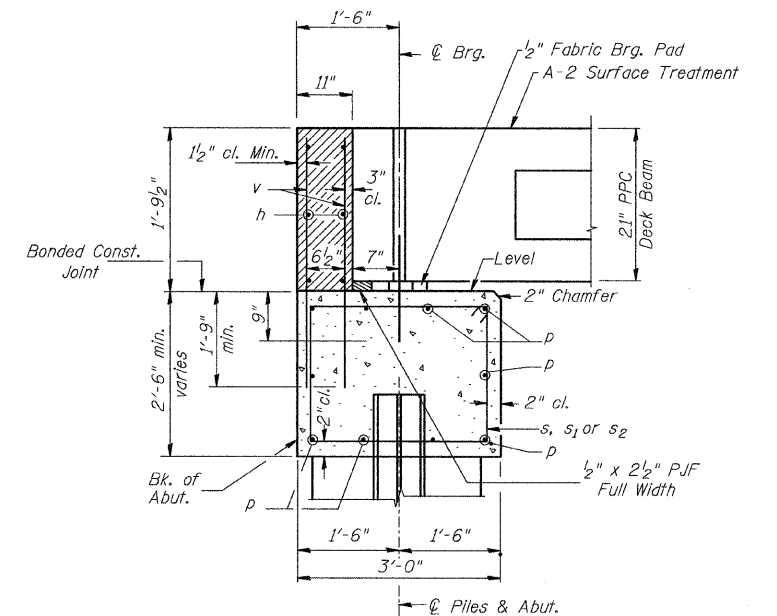
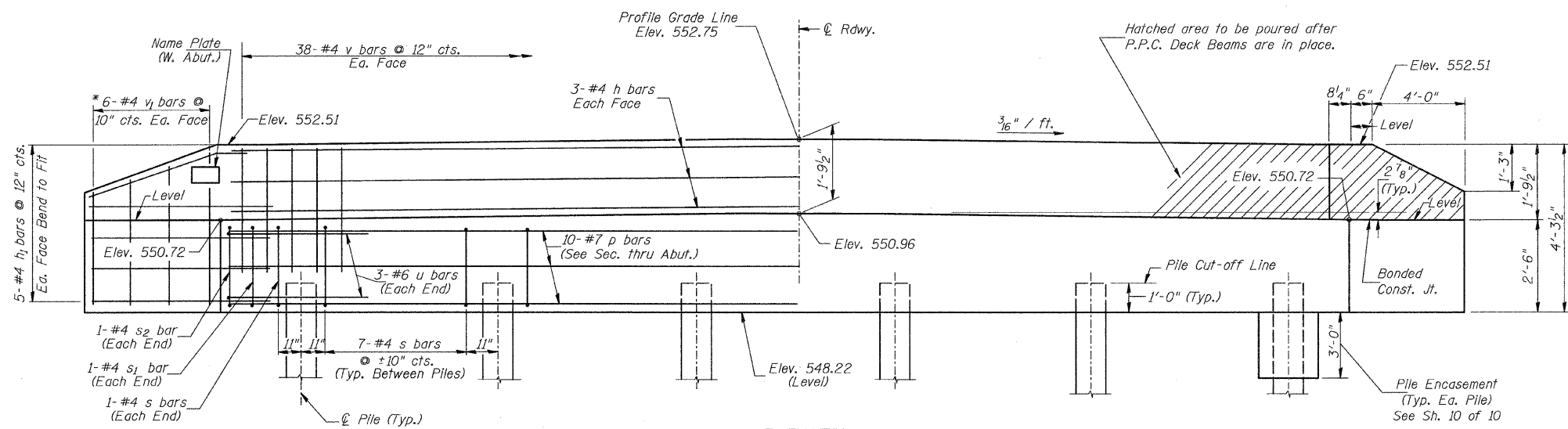


PLAN



SECTION THRU ABUT.
(At Right Angles)



ELEVATION
(Front View of Abutment)

TWO ABUTMENTS
BILL OF MATERIAL

BAR	NO.	SIZE	LENGTH	SHAPE
h	12	#4	37'-9"	—
h1	40	#4	6'-6"	—
p	20	#7	37'-9"	—
s	74	#4	10'-5"	□
s1	4	#4	7'-10"	□
s2	4	#4	8'-8"	□
u	12	#6	12'-2"	▤
v	152	#4	3'-6"	—
v1	24	#4	6'-9"	—
Concrete Structures		CU YD	28.9	
Reinforcement Bars		POUND	3,260	
Structure Excavation		CU YD	80	
Name Plates		EACH	1	
Furnishing Metal Shell Piles 12"x0.250"		FOOT	350	
Driving Piles		FOOT	350	
Test Pile Metal Shells		EACH	2	
Concrete Encasement		CU YD	3.1	

Ⓞ See Special Provisions

DESIGN STRESSES

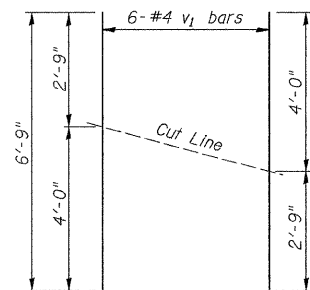
f'c = 3,500 p.s.i.
fy = 60,000 p.s.i.

PILE DATA

Type & Size: Metal Shell 12"x0.250"
Nominal Required Bearing: 140 kips
Factored Resistance Available: 75 kips
Est. Length: 35' Each Abutment
No. Req'd.: 12 (Includes 1 Test Pile at Each Abut.)

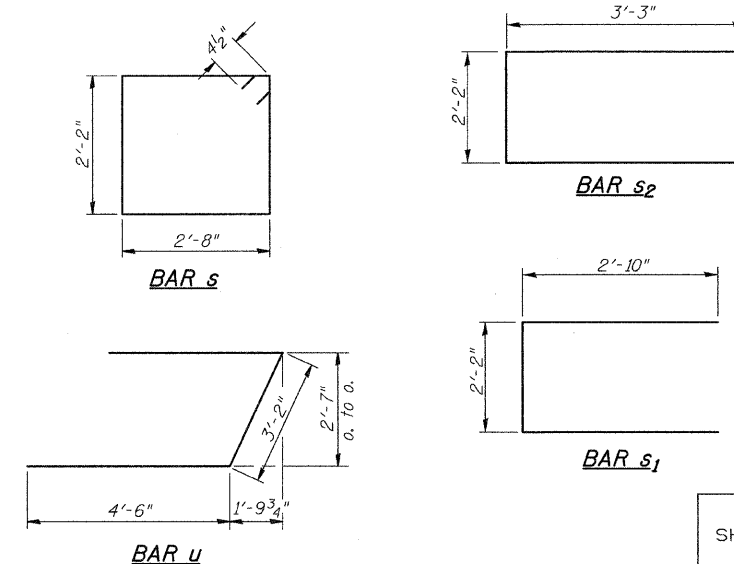
NOTES

- The Backwall and the portion of the Wingwalls above the bonded construction joint shall be cast against the in-place beam.
- Reinforcement bars shall conform to ASTM A706 Grade 60.



BAR CUTTING DIAGRAM

*Order v1 bars full length. Cut as shown and use remainder of bars in opposite face.



ABUTMENTS
MASON COUNTY
SECTION 08-00035-01-BR
C.H. 19 OVER SLEEPY HOLLOW DITCH

SHEET NO. 8 10 SHEETS	ROUTE NO.	SECTION	COUNTY	TOTAL SHEETS	SHEET NO.
	CH 19	08-00035-01-BR	MASON	22	14
S.N. 063-3033			CONTRACT NO. 93549		
FED. ROAD DIST. NO. 7 ILLINOIS			FED. AID PROJECT BRS-1595(104)		