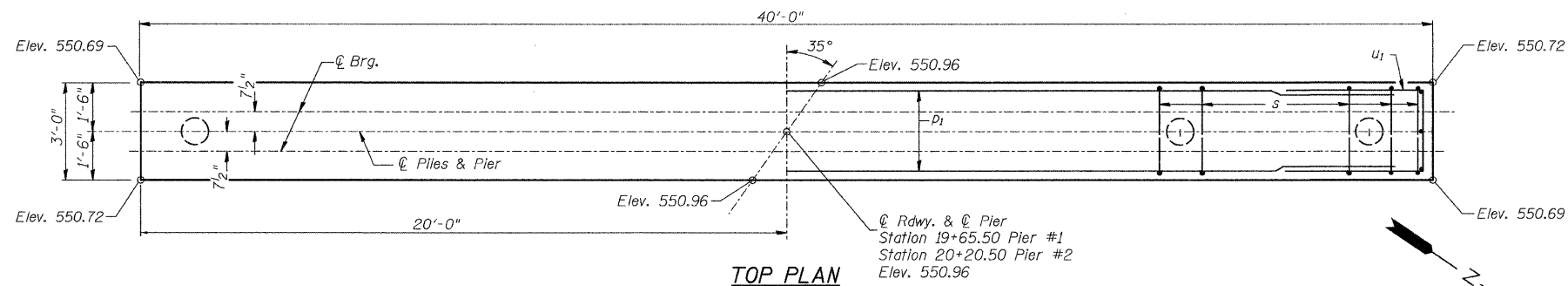
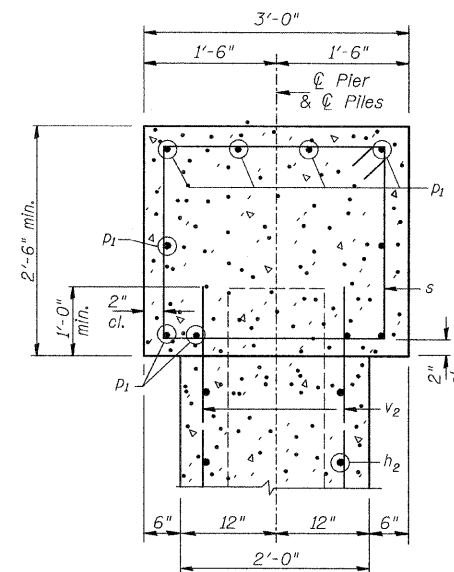


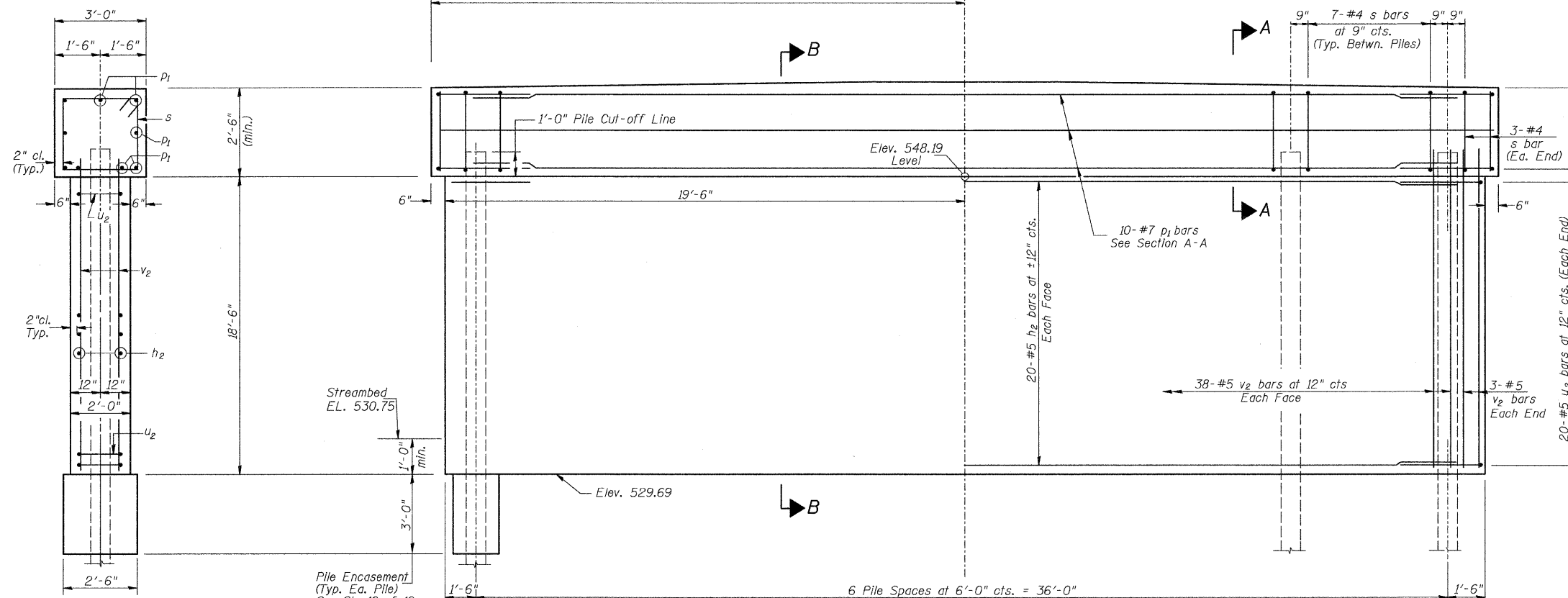
NOTES:
All edges shall have standard
3/4" chamfer.



TOP PLAN

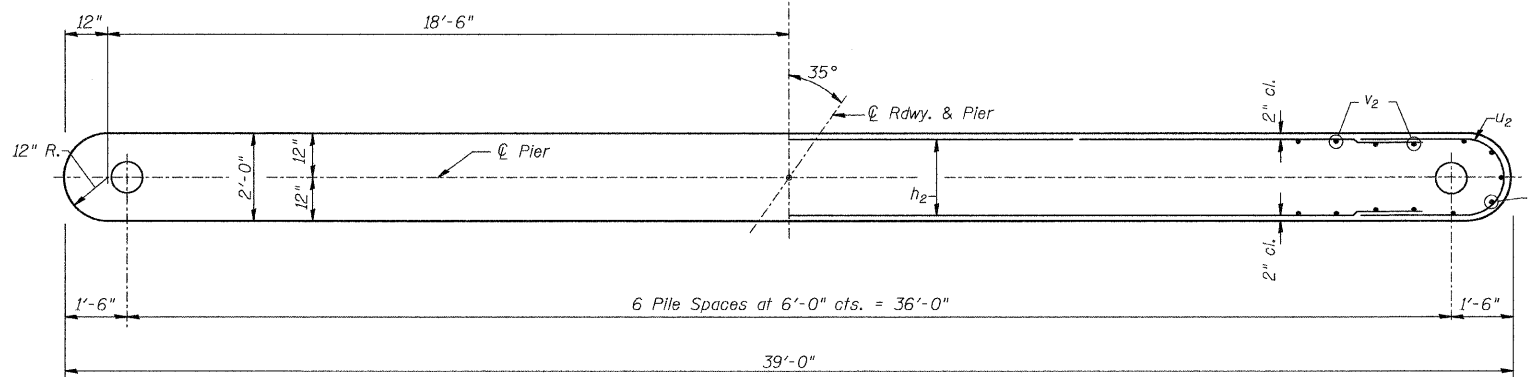


SECTION A-A

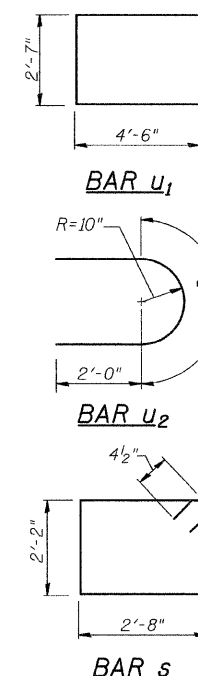


ELEVATION
(Looking Upstation)

SECTION B-B



FOOTING PLAN



TWO PIERS
BILL OF MATERIAL

BAR	NO.	SIZE	LENGTH	SHAPE	
h ₂	80	#5	36'-8"	—	
p ₁	20	#7	39'-9"	—	
s	96	#4	10'-5"	□	
u ₁	12	#6	11'-7"	U	
u ₂	80	#5	6'-8"	U	
v ₂	164	#5	19'-4"	—	
Concrete Structures				CU YD	121.1
Reinforcement Bars				POUND	9,420
Structure Excavation				CU YD	160
Furnishing Metal Shell Piles 12"x0.250"				FOOT	780
① Driving Piles				FOOT	780
① Test Pile Metal Shells				EACH	2
Concrete Encasement				CU YD	6.4
① Underwater Structure Excavation Protection, Location 1				EACH	1
① Underwater Structure Excavation Protection, Location 2				EACH	1

① See Special Provisions

PILE DATA
Type & Size: Metal Shell 12"x0.250"
Nominal Required Bearing: 330 kips
Factored Resistance Available: 180 kips
Est. Length: 65' Each Pier
No. Req'd.: 14 (Includes 1 Test Pile at Each Pier)

PIERS
MASON COUNTY
SECTION 08-00035-01-BR
C.H. 19 OVER SLEEPY HOLLOW DITCH

SHEET NO. 9 10 SHEETS	ROUTE NO. CH 19	SECTION 08-00035-01-BR	COUNTY MASON	TOTAL SHEETS 22	SHEET NO. 15
	S.N. 063-3033		CONTRACT NO. 93549		
FED. ROAD DIST. NO. 7 ILLINOIS			FED. AID PROJECT BRS-1595(104)		