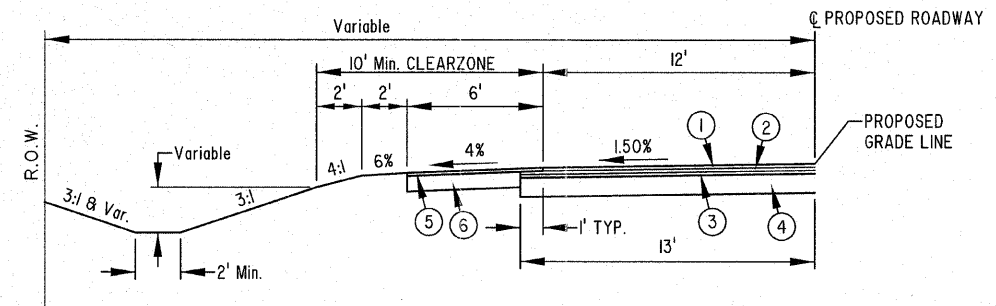


ROUTE NO.	SECTION	COUNTY	TOTAL SHEETS	SHEET NO.
FAU 8390	04-00084-01-PV	EFFINGHAM	139	7
FED. ROAD DIST. NO. 7	ILLINOIS			

CONTRACT #95639

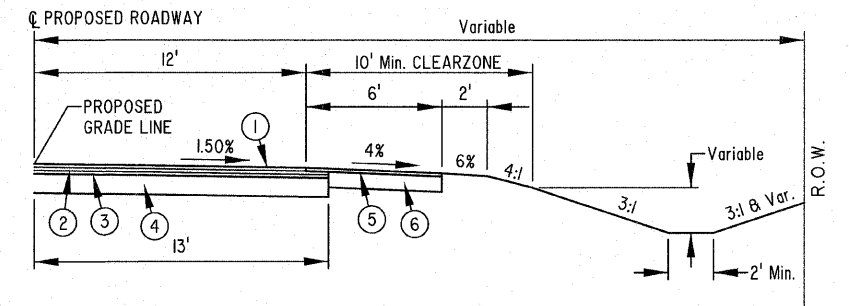
PAVING LEGEND

- ① HOT-MIX ASPHALT SURFACE COURSE, MIX "C", N70, 1 3/4"
- ② HOT-MIX ASPHALT BINDER COURSE, IL-25.0, N70, 1 3/4"
- ③ HOT-MIX ASPHALT BINDER COURSE, IL-25.0, N70, 1 3/4"
- ④ 10" SOIL CEMENT BASE COURSE, CONSIST OF 5" AGGREGATE BASE COURSE, TYPE A AND 5" OF SOIL ALL MIXED WITH 12% CEMENT (BY VOLUME)
- ⑤ HOT-MIX ASPHALT SURFACE COURSE, MIX "C", N70, 1 3/4"
- ⑥ AGGREGATE BASE COURSE, TYPE A, 8"



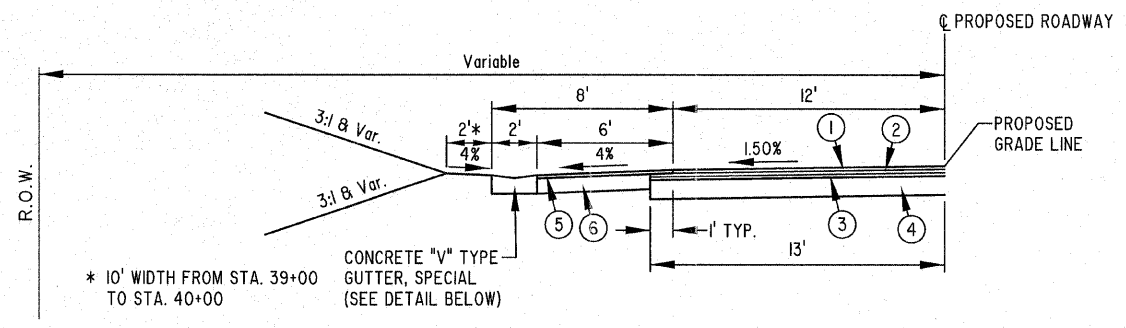
TYPICAL SECTION - EVERGREEN AVENUE

LT STA. 32+63.87 TO STA. 34+96.43
 LT STA. 37+00.00 TO STA. 38+76.00



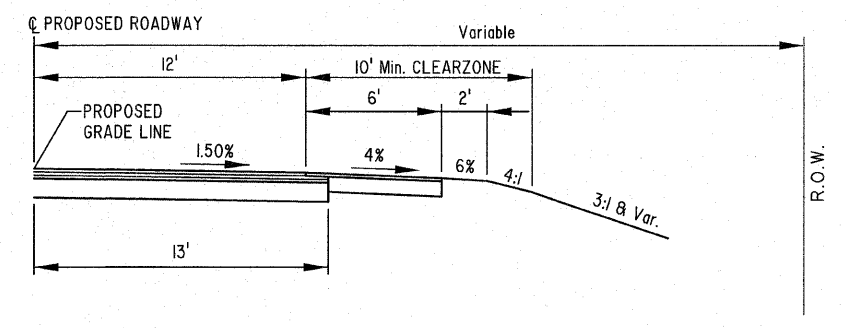
TYPICAL SECTION - EVERGREEN AVENUE

RT STA. 32+63.87 TO STA. 33+50.00
 RT STA. 37+88.65 TO STA. 38+76.00



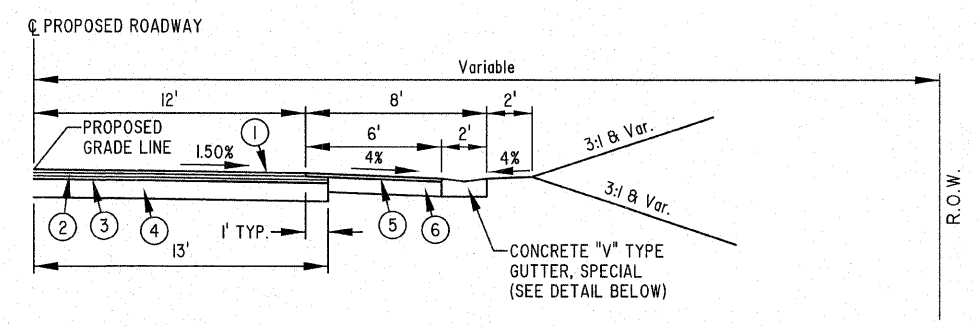
TYPICAL SECTION - EVERGREEN AVENUE

LT STA. 34+96.43 TO STA. 37+00.00
 LT STA. 38+76.00 TO STA. 41+12.40



TYPICAL SECTION - EVERGREEN AVENUE

RT STA. 33+50.00 TO STA. 37+88.65



TYPICAL SECTION - EVERGREEN AVENUE

RT STA. 38+76.00 TO STA. 41+12.40

STA. 32+63.87 TO STA. 41+12.40

	MILANO & GRUNLOH ENGINEERS, LLC	TYPICAL SECTIONS EVERGREEN AVENUE COUNTY OF EFFINGHAM, ILLINOIS
	84 WEST WASHINGTON P.O. BOX 897 EFFINGHAM, ILLINOIS 62401	
	PHONE: (217) 347-7262 (800) 677-2774 FAX #: (217) 342-3433	
	File name: B:\DWG\05\05227\dwg\Typical.dwg Plot date: 02/03/11 at 16:00	