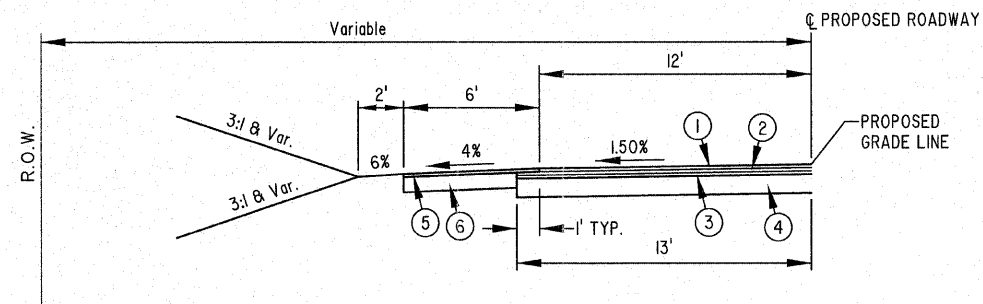


ROUTE NO.	SECTION	COUNTY	TOTAL SHEETS	SHEET NO.
FAU 6390	04-00084-01-PV	EFFINGHAM	139	8
FED. ROAD DIST. NO. 7	ILLINOIS			

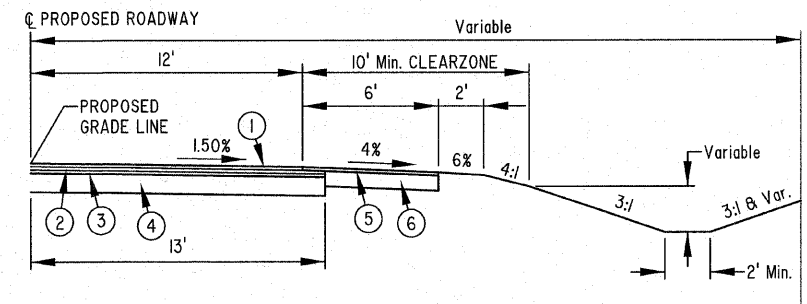
CONTRACT #95639

- PAVING LEGEND**
- ① HOT-MIX ASPHALT SURFACE COURSE, MIX "C", N70, 1 3/4"
  - ② HOT-MIX ASPHALT BINDER COURSE, IL-25.0, N70, 1 3/4"
  - ③ HOT-MIX ASPHALT BINDER COURSE, IL-25.0, N70, 1 3/4"
  - ④ 10" SOIL CEMENT BASE COURSE, CONSIST OF 5" AGGREGATE BASE COURSE, TYPE A AND 5" OF SOIL ALL MIXED WITH 12% CEMENT (BY VOLUME)
  - ⑤ HOT-MIX ASPHALT SURFACE COURSE, MIX "C", N70, 1 3/4"
  - ⑥ AGGREGATE BASE COURSE, TYPE A, 8"



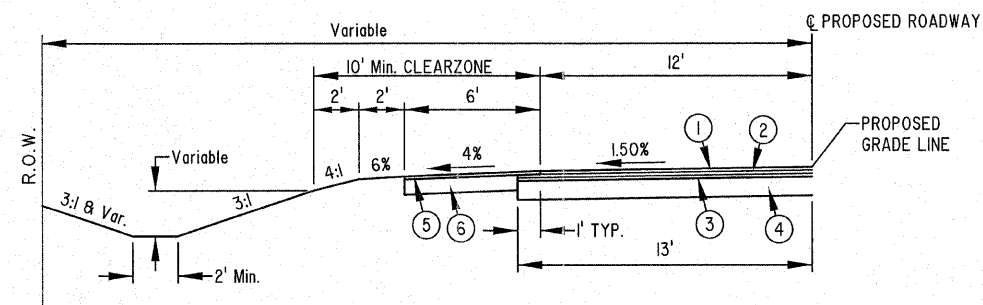
**TYPICAL SECTION - EVERGREEN AVENUE**

LT STA. 41+12.40 TO STA. 49+75.00  
LT STA. 50+50.00 TO STA. 52+50.00



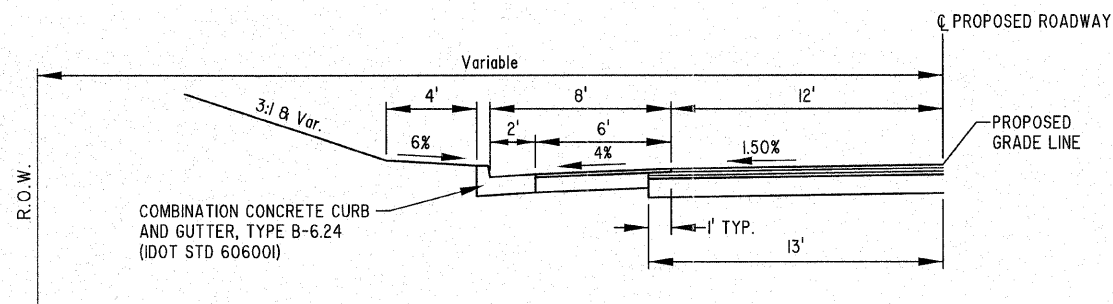
**TYPICAL SECTION - EVERGREEN AVENUE**

RT STA. 41+12.40 TO STA. 54+61.75



**TYPICAL SECTION - EVERGREEN AVENUE**

LT STA. 49+75.00 TO STA. 50+50.00



**TYPICAL SECTION - EVERGREEN AVENUE**

LT STA. 52+50.00 TO STA. 54+61.75

STA. 41+12.40 TO STA. 54+61.75

**MILANO & GRUNLOH ENGINEERS, LLC**  
 84 WEST WASHINGTON  
 P.O. BOX 697  
 EFFINGHAM, ILLINOIS 62401  
 PHONE: (217) 347-7262  
 (800) 677-2704  
 FAX #: (217) 342-3433  
 File name: S:\DWG\05\05227.dwg\Typical.dwg  
 Plot date: 02/06/11 at 16:00

TYPICAL SECTIONS  
 EVERGREEN AVENUE  
 COUNTY OF EFFINGHAM, ILLINOIS