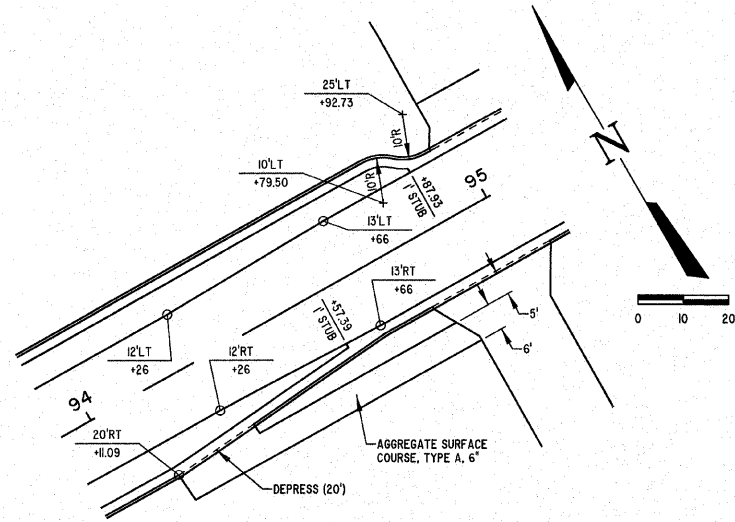


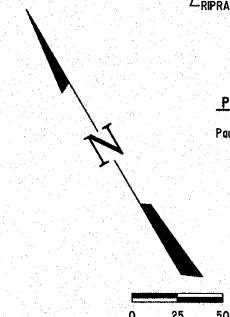
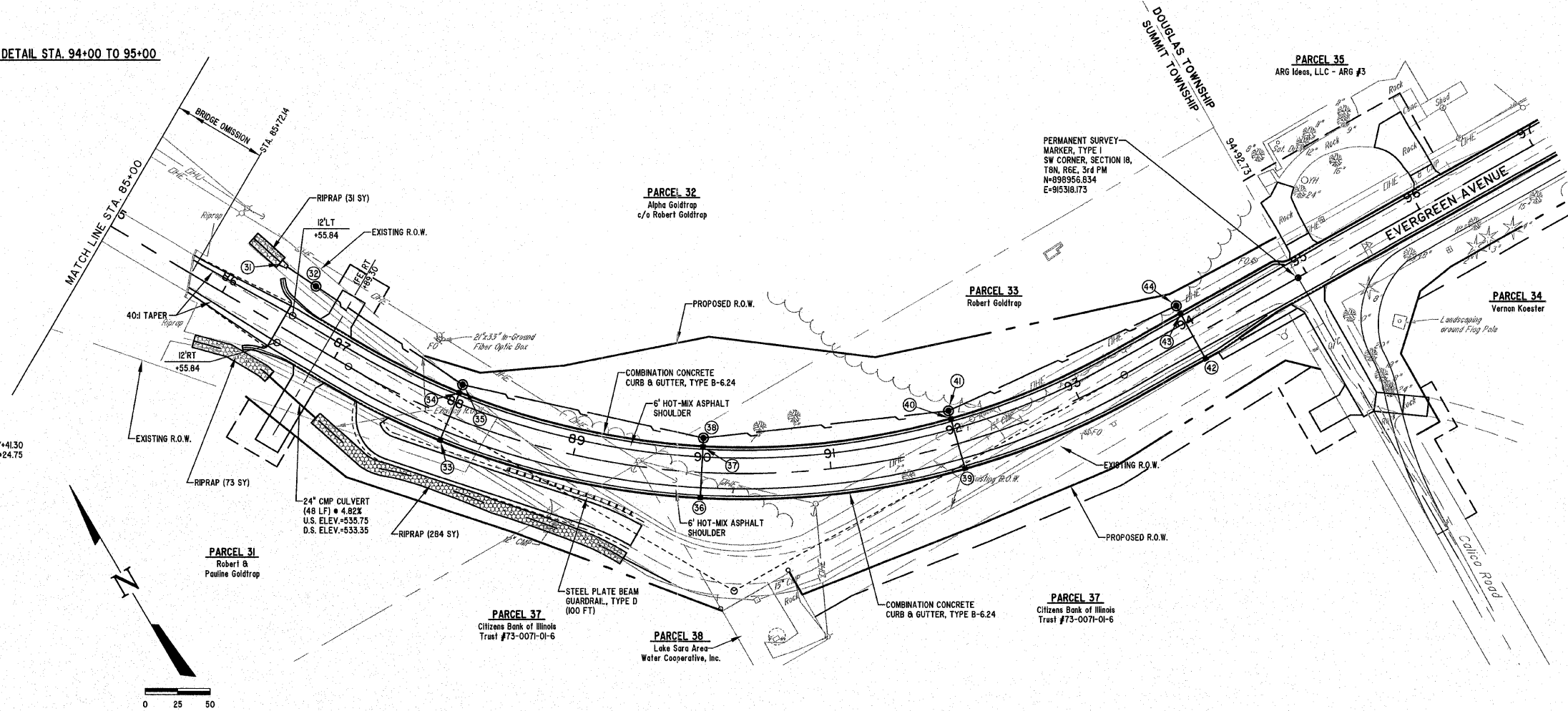
ROUTE NO.	SECTION	COUNTY	TOTAL SHEETS	SHEET NO.
FAU 8390	04-0084-01-PV	EFFINGHAM	139	30
FED. ROAD DIST. NO. 7		ILLINOIS	FED. AID PROJECT-	

CONTRACT #95639



DETAIL STA. 94+00 TO 95+00

**EVERGREEN AVENUE  
CURVE #8**  
 PI STA=90+57.60  
 Delta=59°30'49"  
 D=9°30'00"  
 T=344.80'  
 R=603.11'  
 L=626.46'  
 C=598.67'  
 E=91.61'  
 M=79.53'  
 PC STA=87+12.80  
 PT STA=93+39.25  
 M.S.E.=4.00%  
 ATTAIN: STA 86+27.30 TO STA 87+11.30  
 STA 93+10.75 TO STA 94+24.75



**MILANO & GRUNLOH ENGINEERS, LLC**  
 14 WEST WASHINGTON  
 P.O. BOX 897  
 EFFINGHAM, ILLINOIS 62401  
 Phone: (217) 547-7252  
 (800) 677-2714  
 Fax #: (217) 542-3433  
 Web Address: www.mge-engineers.com  
 Design Firm #: 184-023108