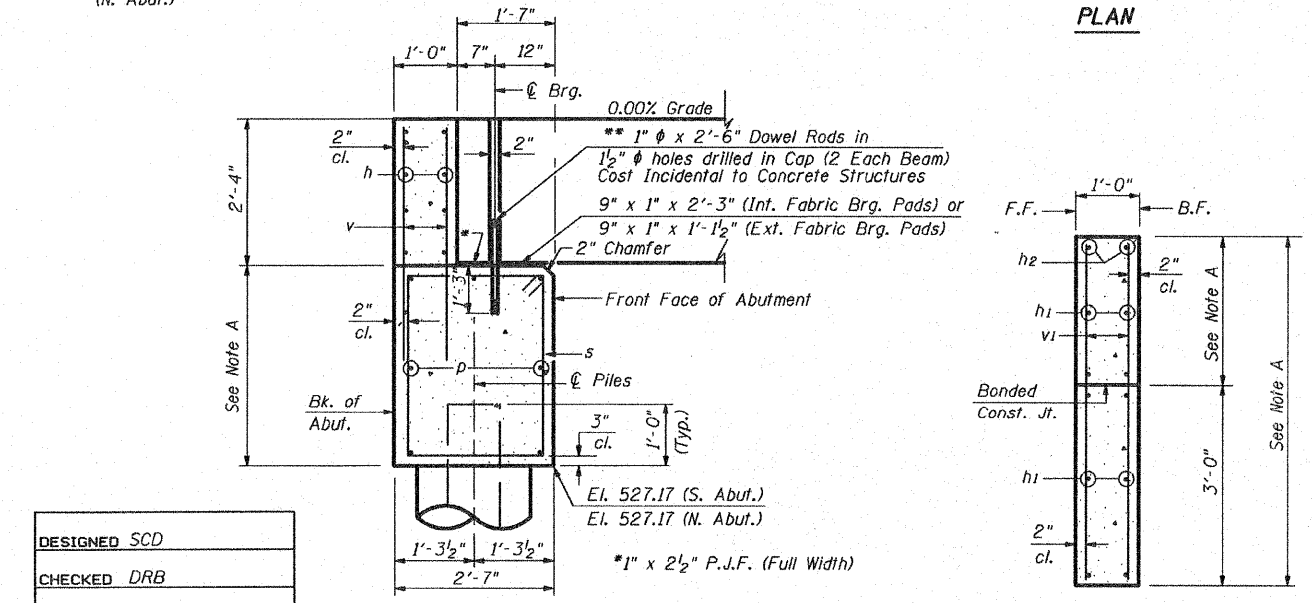
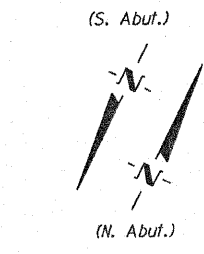
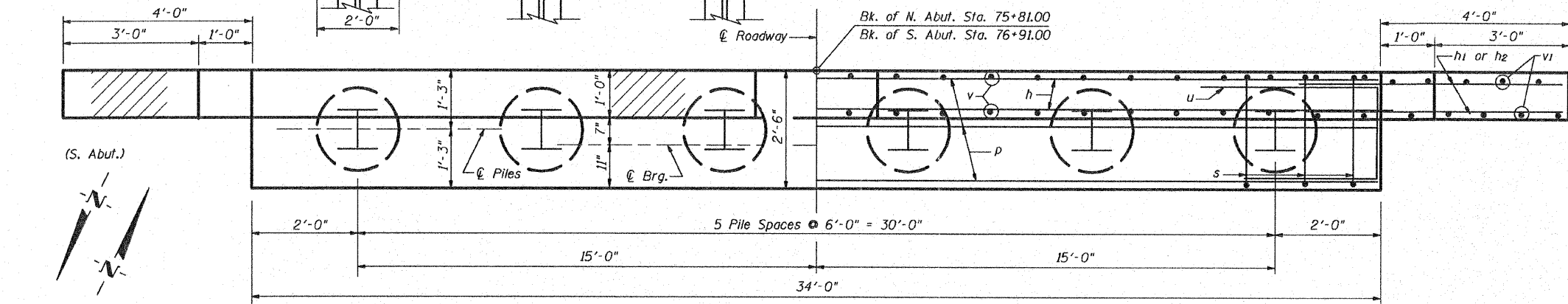
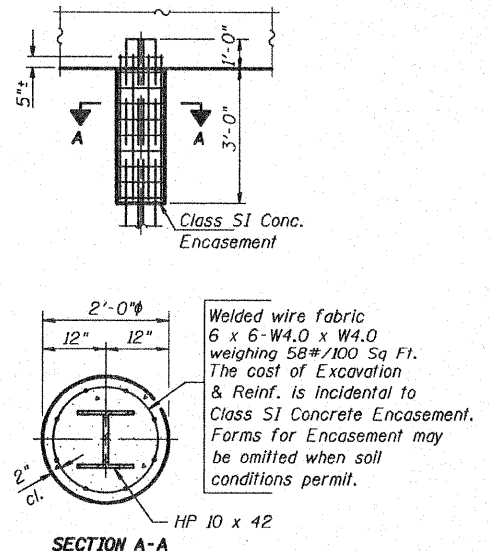


NOTE:
The hatched area of the wingwalls & backwall shall be poured after the beams are in place.

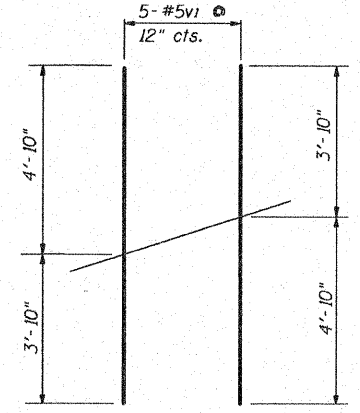


SECTION THRU ABUTMENT
**Dowel Rods to be grouted after beams are in place and prior to grouting the shear keys.

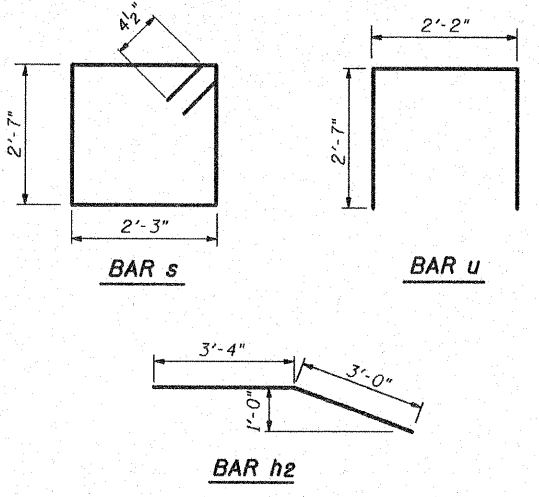
SECTION THRU WINGWALLS
NOTE A: See Elev. given on Elev. View



SECTION A-A
PILE ENCASEMENT DETAIL



FIELD CUTTING DIAGRAM
Order v1 bars full length, cut to fit in field



ABUTMENT DETAIL
STRUCTURE NO. 025-3223

BILL OF MATERIAL
(2 Abutments)

Bar	No.	Size	Length	Shape
h	16	#5	33'-6"	
h1	40	#5	6'-2"	
h2	8	#5	6'-4"	
p	14	#7	33'-6"	
s	62	#4	10'-5"	
u	12	#6	7'-4"	
v	112	#5	4'-0"	
v1	20	#5	8'-8"	
ITEM				
Reinforcement Bars		Unit	Quantity	
Concrete Structures		Pound	3050	
Furnishing Steel Piles, HP 10x42		Cu. Yd.	29.0	
Driving Piles		Lin. Ft.	690	
Test Piles Steel HP 10 x 42		Each	2	
Structure Excavation		Cu. Yd.	100	
Concrete Encasement		Cu. Yd.	4.2	

PILE DATA

- Type & Size = Steel HP 10 x 42
- Nominal Required Bearing = 335 kips
- Allowable Resistance Available = 167 kips
- Estimated Length = 69'
- Number of Production Piles = 10
- Number of Test Piles = 2

DESIGNED	SCD
CHECKED	DRB
DRAWN	THW
CHECKED	DRB

SHEET NO. 6 of 7 SHEETS	RTE. CH 10	SECTION 04-00084-01-PV	COUNTY EFFINGHAM	TOTAL SHEETS 139	SHEET NO. 61
FED. ROAD DIST. NO. - ILLINOIS			FED. AID PROJECT		
CONTRACT NO. 95639					