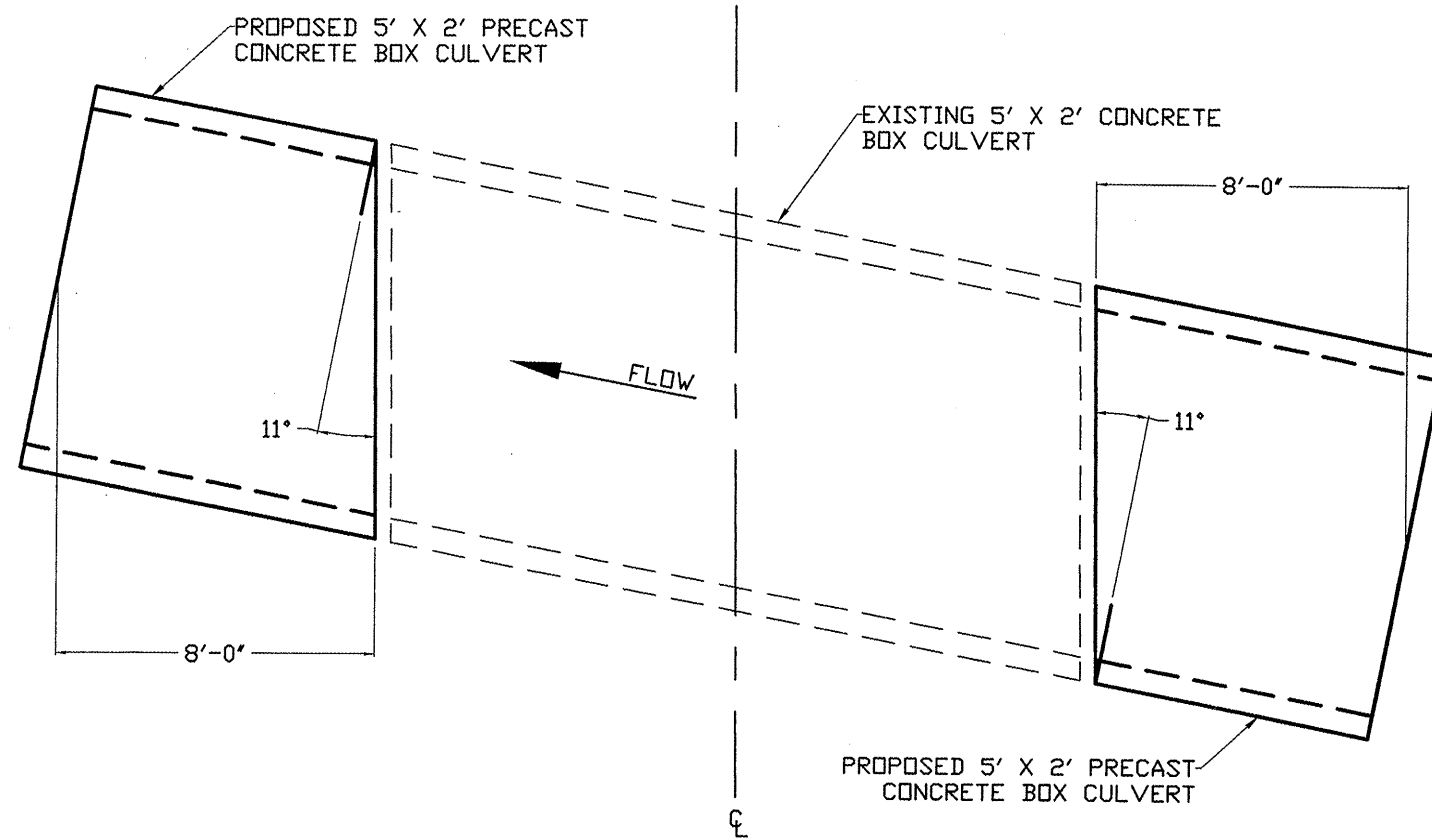


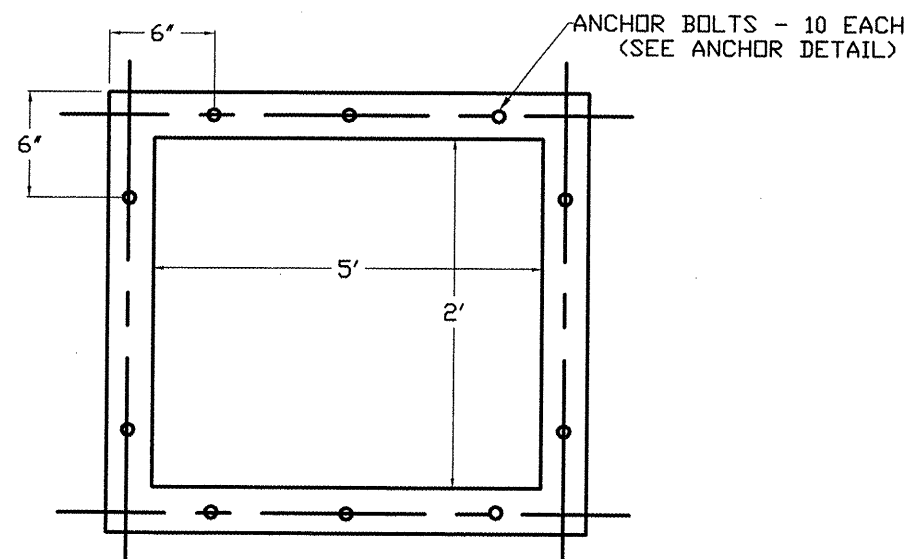
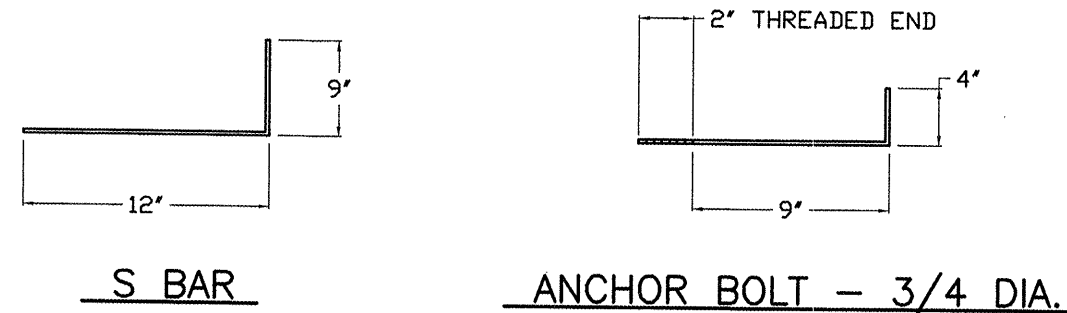
ROUTE	COUNTY	SECTION	SHEET/OF
FAS 859	RANDOLPH	08-00031-08-RS	4/5
CONTRACT NO. 97463			

CONCRETE BOX CULVERT EXTENSION DETAIL
STA. 252+91 LT & RT.

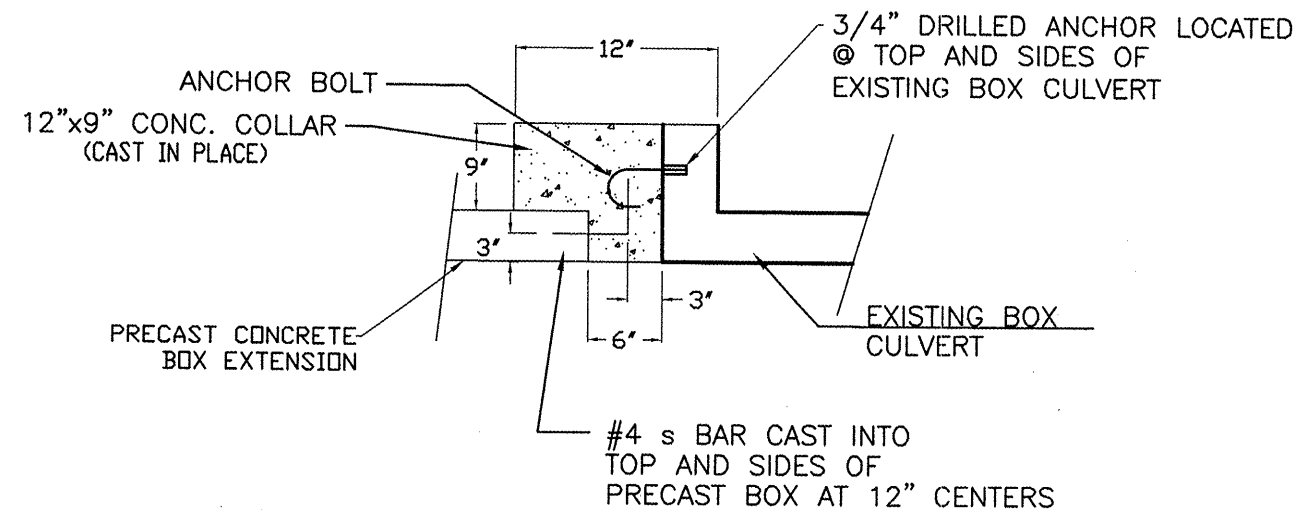


NOTES:

1. PROPOSED PRECAST CONCRETE BOX CULVERT SECTIONS SHALL BE CAST TO MATCH THE 11° SKEW OF THE EXISTING BOX CULVERT ON ONE END ONLY.
2. ALL LABOR, MATERIAL, AND EQUIPMENT COST ASSOCIATED WITH CONNECTING THE PROPOSED PRECAST CONCRETE BOX CULVERT EXTENSIONS TO THE EXISTING BOX CULVERT INCLUDING THE ANCHOR BOLTS, S-BARS, AND CAST IN PLACE COLLAR SHALL BE CONSIDERED INCIDENTAL TO THE PAY ITEM PRECAST CONCRETE BOX CULVERTS 5'X2'.



CROSS SECTION THRU BARREL



ANCHOR DETAIL