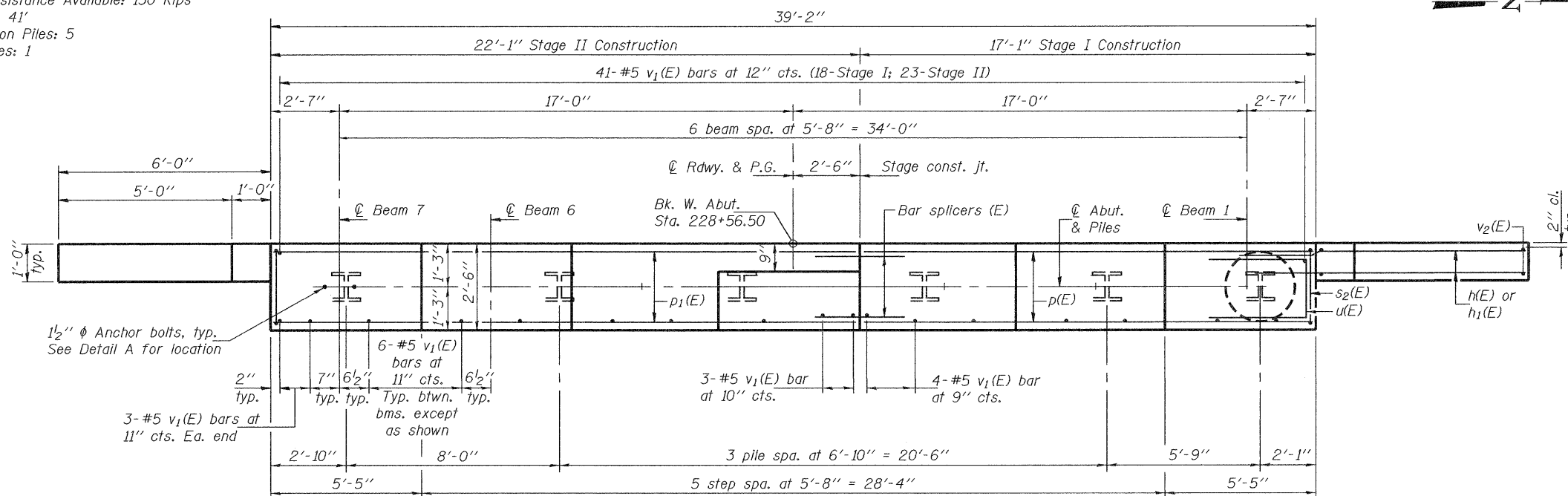


PILE DATA

Type: Steel HP12x53
 Nominal Required Bearing: 237 Kips
 Factored Resistance Available: 130 Kips
 Est. Length: 41'
 No. Production Piles: 5
 No. Test Piles: 1

ELEVATION
 (Looking west)

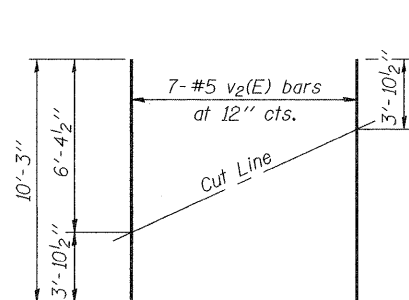


PLAN

BILL OF MATERIAL

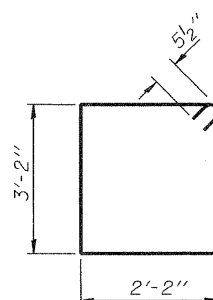
Bar	No.	Size	Length	Shape
h(E)	60	#6	8'-1"	—
h1(E)	4	#5	8'-8"	—
p(E)	9	#7	16'-9"	—
p1(E)	9	#7	21'-9"	—
s2(E)	38	#5	11'-7"	□
u(E)	8	#6	8'-1"	—
v1(E)	84	#5	4'-4"	—
v2(E)	14	#5	10'-3"	—
Structure Excavation		Cu. Yd.	79	
Concrete Structures		Cu. Yd.	15.6	
Reinforcement Bars, Epoxy Coated		Pound	2560	
Furnishing Steel Piles HP12x53		Foot	205	
Driving Piles		Foot	205	
Test Pile Steel HP12x53		Each	1	
Concrete Encasement		Cu. Yd.	2.1	
Anchor Bolts, 1 1/2" φ		Each	14	

Notes: Four steps monolithically with cap.
 For details of piles and concrete encasement, see sheet 21 of 26.
 For bar splicer details, see sheet 20 of 26.
 If h(E) bars interfere with steel H Piles bend h(E) bars to fit, otherwise maintain minimum of 2'-3" embedment.

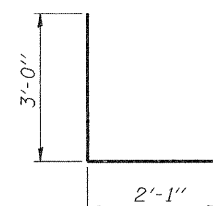


FIELD CUTTING DIAGRAM

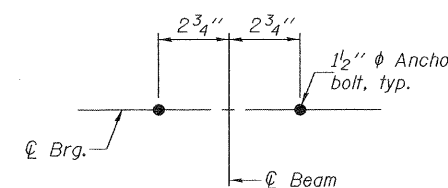
Order v2(E) full length. Cut as shown and use remainder of bars in opposite face.



BAR s2(E)



BAR u(E)



DETAIL A

DESIGNED - Jessica C. Forrest
 CHECKED - Nicholas R. Barnett
 DRAWN - h.t. duong
 CHECKED - JCF/NRB

EXAMINED - *Thomas J. Demagala*
 ENGINEER OF BRIDGE DESIGN
 PASSED - *Carl*
 ENGINEER OF BRIDGES AND STRUCTURES

DATE - 5/10/2011

STATE OF ILLINOIS
 DEPARTMENT OF TRANSPORTATION

WEST ABUTMENT
 STRUCTURE NO. 073-0038

SHEET NO. 17 OF 26 SHEETS

F.A.P. RTE.	SECTION	COUNTY	TOTAL SHEETS	SHEET NO.
869	6B-2	*	299	147
				CONTRACT NO. 98797
ILLINOIS FED. AID PROJECT				

*PERRY/FRANKLIN